



Features:

- Fits most tubs 14 to 16 inches high
- 1-1/2 brass tubing in 17 and 20 Gauges
- Patented adjustable self-retaining rubber head gasket
- Patented pre-adjustable linkage
- Cast brass pop-up and shoe plug
- Heavy duty, highly polished face plate
- Extra long plunger stroke
- Patented Heavy duty cast red brass head, tee and shoe
- Cast red brass coupling nuts supplied with 17 Gauge Tubing
- Plated zinc coupling nuts supplied with 20 Gauge tubing
- Partially assembled in carton
- Compartmentalized packaging
- Available in Chrome, Polished Brass, White, Biscuit and Brushed Nickel

Technical Specifications:

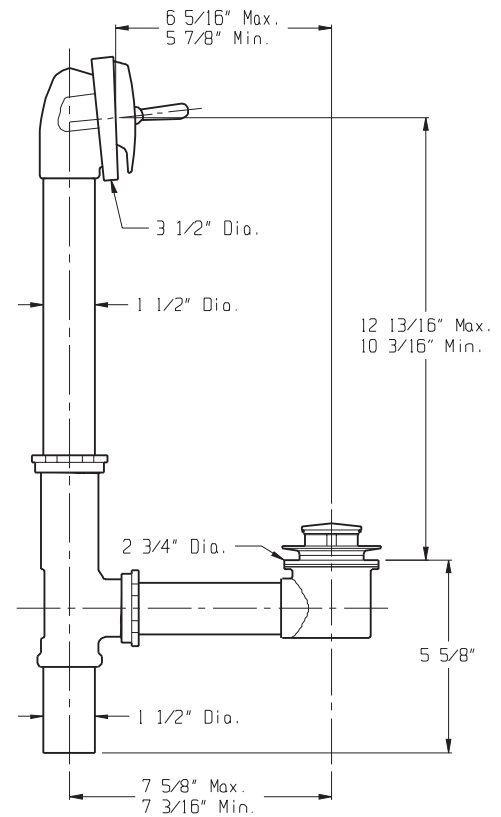
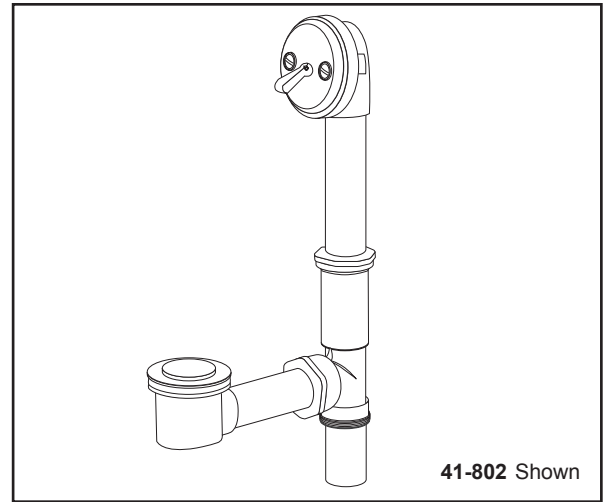
- IAPMO/cUPC

Catalog Numbers:

- 41-802** 17 Gauge (Chrome), Brass Nuts
- 41-808** 20 Gauge (Chrome), Brass Nuts
- 41-808-88** 20 Gauge (Chrome), "Clean Out Here" on Faceplate
- 41-901-87** 20 Gauge (Chrome), Remead Tee, Horizontal Outlet
- 81-817** 17 Gauge (Polished Brass), Brass Nuts
- A1-811** 17 Gauge (Biscuit), Brass Nuts
- N1-802** 17 Gauge (Brushed Nickel), Brass Nuts
- W1-811** 17 Gauge (White), Brass Nuts

Suffixes Available:

- 87 Horizontal Installation (excluding trip lever & plastic)
- 88 "Clean-out Here" on Face Plate w/Retaining Ring (Chicago Code Chrome Only)



Job Name	
Date	
Model Specified	
Quantity	
Customer	
Contractor	
Architect/engineer	