

Features:

□ WS-21-112

- 1.28 gpf/4.8lpf HET High Efficiency Toilet
- Combination tank and bowl
- Elongated Toilet
- Dual-fed siphon jet
- Color matched front tank lever
- 2" Fully Glazed trapway for effective cleaning (white only)
- 2" flush valve
- 2 bolt caps
- Toilet seat not included



Technical Information:

Included Components:

- Combination WS-21-112
- Bowl SE-21-162
- Tank WS-28-170

Other Tank Options: (bowl to be purchased separately)

- Right hand WS-28-170-97
- Insulated WS-28-172

Fixtures:

Configuration	Two-piece, elongated
Water per Flush	1.28 gpf (4.8 lpf)
Rough-In	12"
Height	28 9/16"
Width	17 1/4"
Depth	28 5/8"
Trapway	1 3/4"
Large Water Surface	11" x 8"
Shipping Weight	75.5 lbs

Accessories:

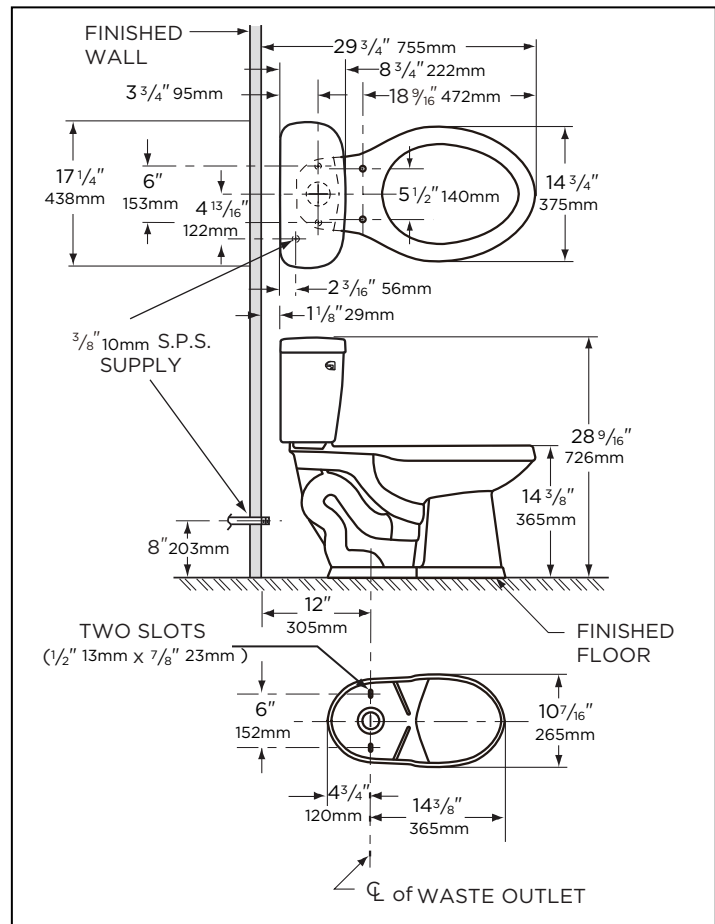
Soft Close Toilet Seat	99-213
------------------------	--------

Colors:

- White
- Biscuit

Warranty:

- 1 Year Manufacturers Warranty



NOTES: All dimensions are in inches. Illustrations may not be drawn to scale.

IMPORTANT:

Dimensions of fixtures are nominal and may vary within the range of tolerances established by ASME standard A 112.19.2 THIS FIXTURE QUALIFIES ACCORDING TO ASME TEST PROCEDURES AS A HIGH EFFICIENCY WATER CLOSET WITH AN AVERAGE CONSUMPTION OF 1.28 gpf (4.8 Lpf) OR LESS.