

Features

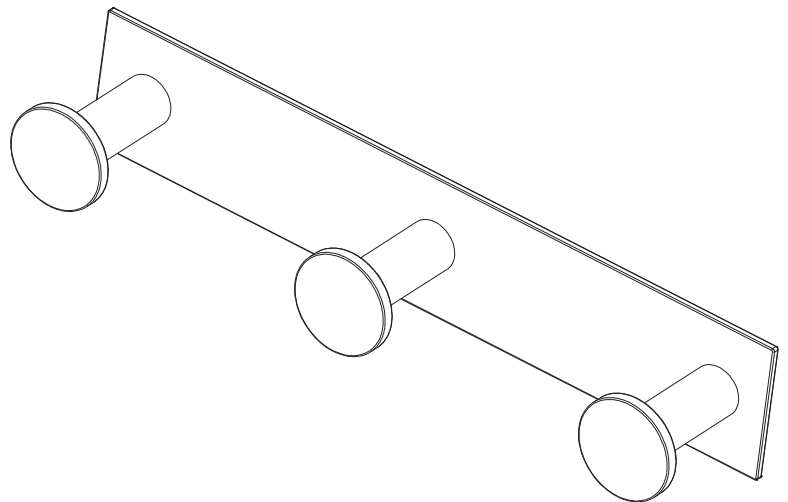
- Solid brass construction
- Complements Surface product series

Triple Robe Hook 2810T

Codes / Standards Compliance

Meets or exceeds the following at date of manufacture:

- All applicable US Federal and State material regulations



Colors / Finishes

- PC: Polished Chrome
- SN: Satin Nickel

Other: N/A

Specified Model

Model	Description	Colors Finishes
2810T	Triple Robe Hook	<input type="checkbox"/> PC <input type="checkbox"/> SN

Product Specification: Add "Color / Finish" Suffix to Model Number Below.

The Triple Robe Hook shall be made of solid brass construction. Triple Robe Hook shall complement Ginger Surface product series. Triple Robe Hook shall be Ginger Model 2810T/____ .

2810T

Product Dimensions (units are in inches)

