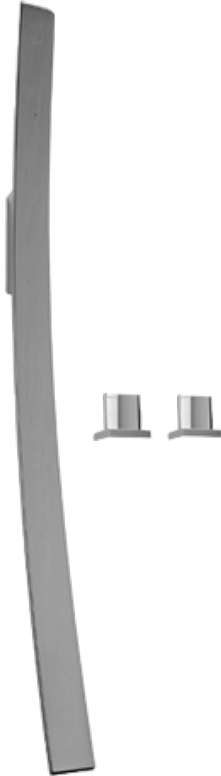


BATHROOM  
Luna Wall-Mounted Tub Filler  
w/Deck-Mounted Handles  
**G-6050-C14B**

---

**GRAFF®**



### Information

- Wall-mounted spout installation
- Deck-mounted handle installation
- Roman Tub Spout Flow Rate ~9.5 gpm @60 psi
- 8-3/14" spout reach
- Optional in-line pressure balancing valve

# G-6050-C14B

Luna Collection

Wall-Mounted Tub Filler with Deck-Mounted Handles



## Product Features

- Wall-mounted spout installation
- Deck-mounted handle installation
- Roman tub spout flow rate ~9.5 gpm @60 psi
- 8-3/14" spout reach
- Optional in-line pressure balancing valve

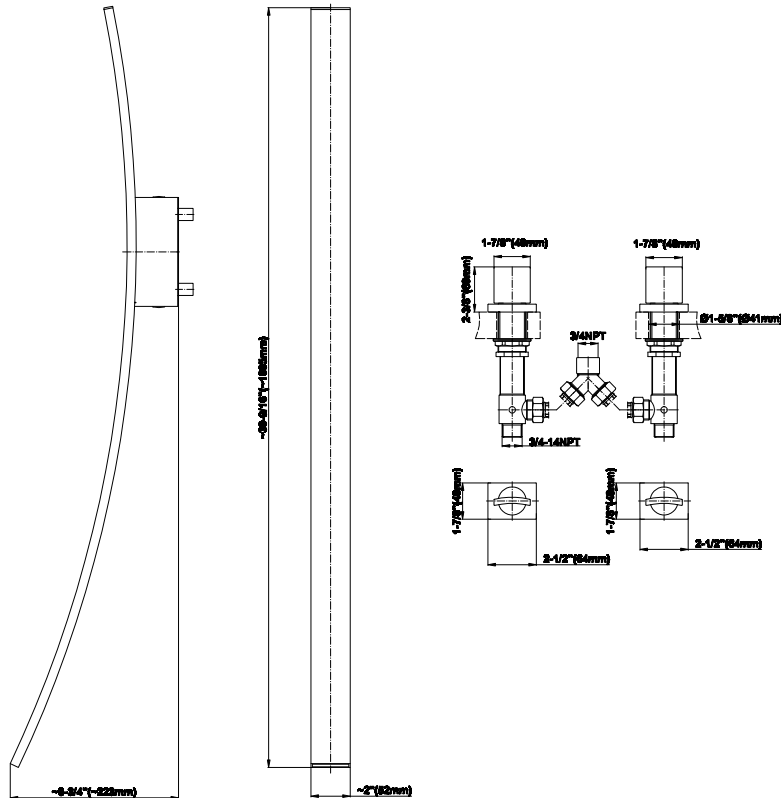
## Available Finishes

- Polished Chrome  
G-6050-C14B
- Steelnox  
G-6050-C14B

## Warranty

- Limited lifetime warranty

For complete warranty information go to <https://www.graff-faucets.com/en/info/faqs>



BATHROOM  
Sade/Targa/Luna Tub Handle Set -  
Deck-Mounted  
**C14B-BS**

---

**GRAFF®**



**Finishes**



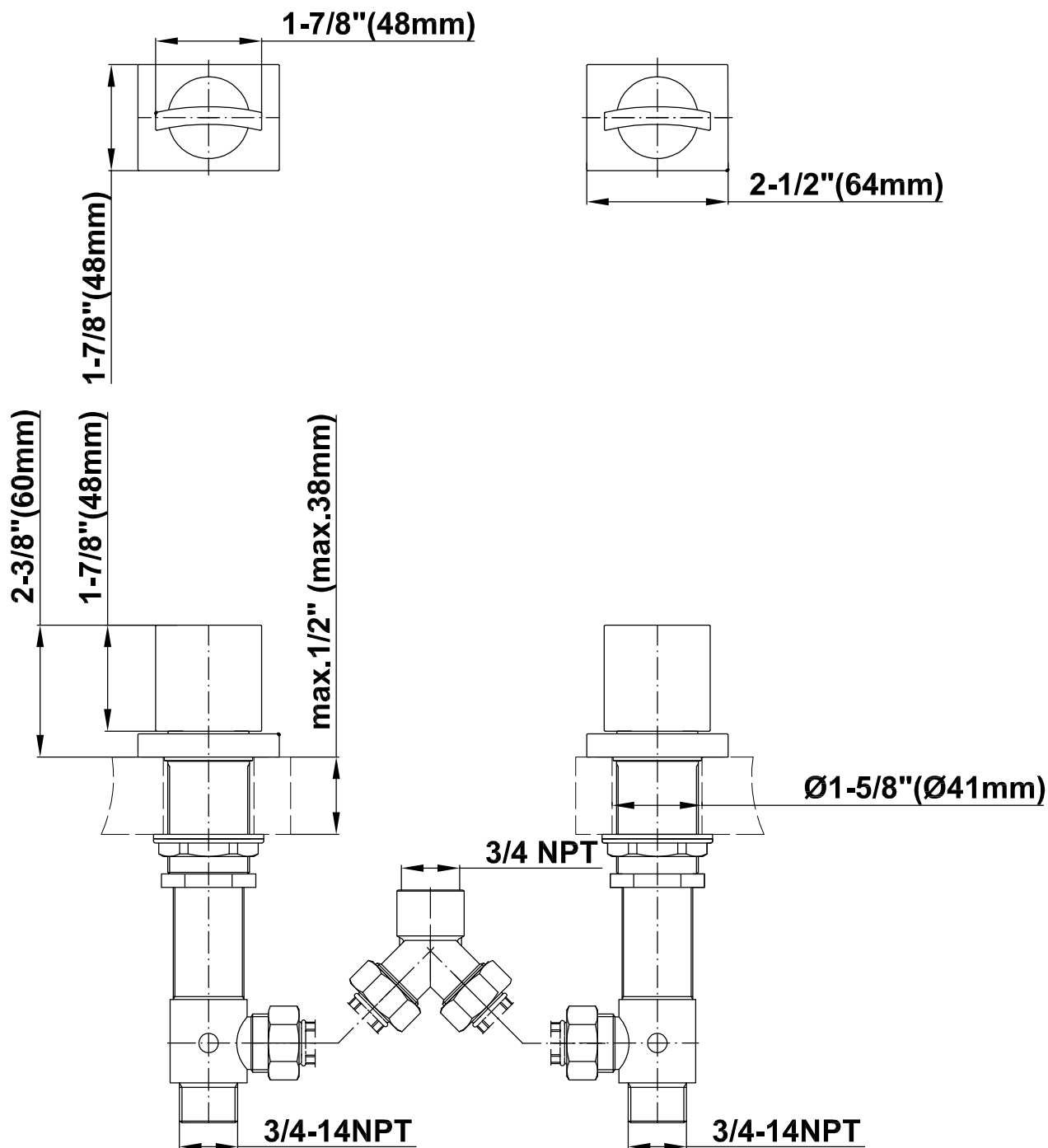
Polished  
Chrome



Steelnox®  
(Satin Nickel)

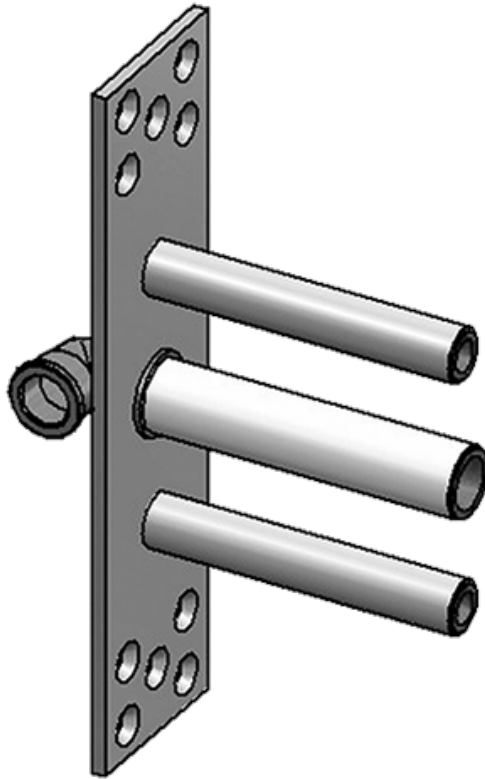
# C14B-BS

TARGA, SADE, LUNA Series



BATHROOM  
Spout Connection Rough  
**G-1075**

**GRAFF®**



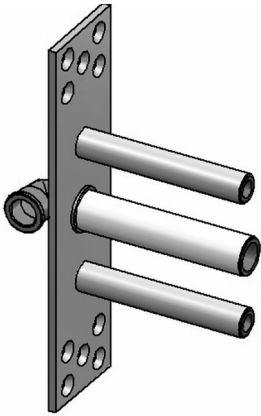
**Finishes**



Polished  
Chrome



Steelnox®  
(Satin Nickel)



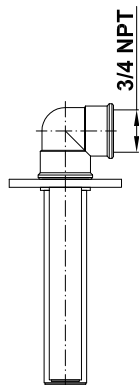
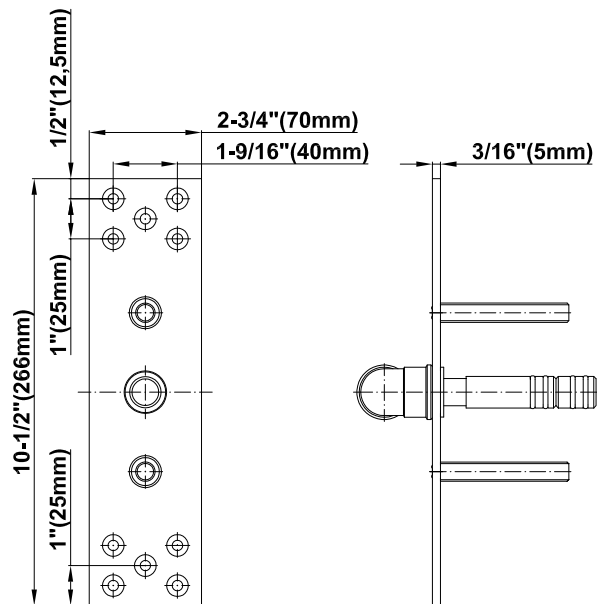
### Product Features

- Spout connection rough

### Warranty

- Limited lifetime warranty

For complete warranty information go to [www.graff-faucets.com/en-nam/warranty](http://www.graff-faucets.com/en-nam/warranty)



BATHROOM  
Luna Wall-Mounted  
Lavatory/Vessel Filler - Trim Only  
**G-6000-T**

---

**GRAFF®**



## Information

- Wall-mounted spout installation

## Finishes



Polished  
Chrome



Steelnox®  
(Satin Nickel)



### Product Features

- Wall-mounted spout installation
- Trim only

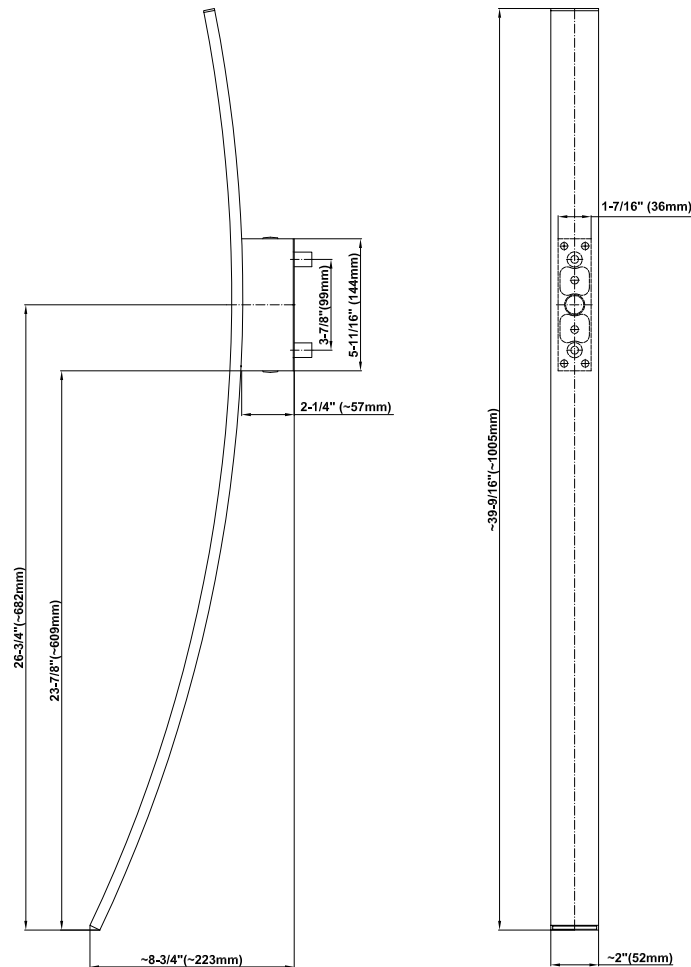
### Available Finishes

- Polished Chrome  
G-6000-PC-T
- SteelInox<sup>®</sup> G-6000-SN-T

### Warranty

- Limited lifetime warranty

For complete warranty information go to [www.graff-faucets.com/en-nam/warranty](http://www.graff-faucets.com/en-nam/warranty)



The measurements shown are for reference only. Products and specifications shown are subject to change without notice. Revised 09/2015.

[www.graff-faucets.com](http://www.graff-faucets.com) | phone: 800-954-4723