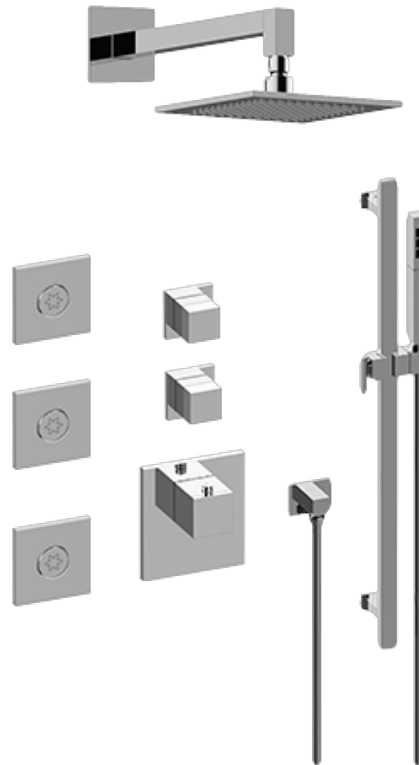


SHOWER
Incanto M-Series Full
Thermostatic Shower System
GM3.112SH-SH0

GRAFF®



Information

- 3/4" thermostatic valve and trim
- 3/4" stop/volume control valve and 2-way diverter valve and trims
- 8" showerhead with 12" wall-mounted shower arm
- Showerhead features no-clog, easy-clean spray nozzles
- Flush-mounted swivel body sprays (3 pieces)
- Handshower set with wall-mounted slide bar and 59" hose (PVD finishes use 59" flex hose)
- Optional extension kit
- Flow rates: showerhead \leq 1.8 max gpm, handshower \leq 1.5 max gpm, body sprays \leq 1.5 max gpm each

SHOWER
Thermostatic Rough Valve
G-8006



Information

- 12.9 gpm @ 60 psi
- 3/4" universal inlets
- Built-in service stops
- Stacking outlet feature
- Complete serviceability from front of all units
- Supplied with protective plastic cover
- CalGreen compliant dependent on functions

Finishes



G-8006

M-Series

3/4" Concealed Thermostatic Rough Valve



Product Features

- 12.9 gpm @ 60 psi
- 3/4" universal inlets
- Built-in service stops
- Stacking outlet feature
- Complete serviceability from front of all units
- Supplied with protective plastic cover
- CalGreen compliant dependent on functions

Code Compliance

- CALGreen

Warranty

- Limited lifetime warranty

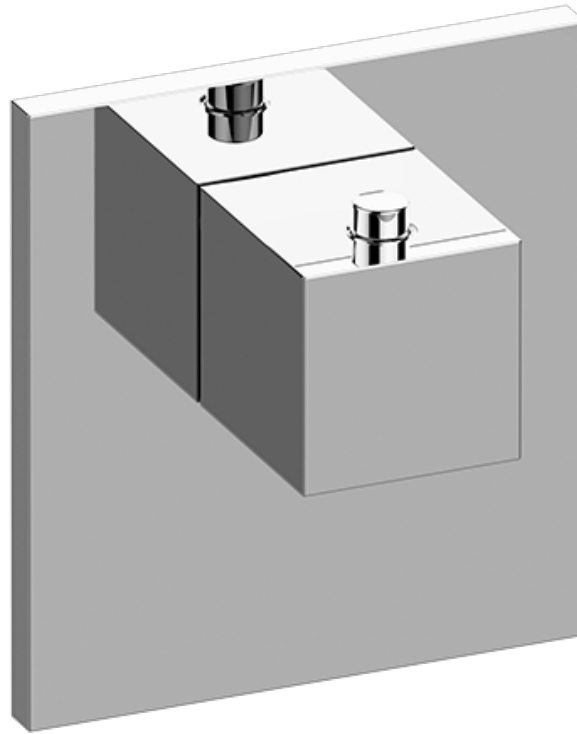
For complete warranty information go to www.graff-faucets.com/en/info/faqs



The measurements shown are for reference only. Products and specifications shown are subject to change without notice. Revised 3/2016.

www.graff-faucets.com | phone: 800-954-4723

SHOWER
M-Series Square Thermostatic
Valve Trim Plate and Handle
G-8043-SH-T



Information

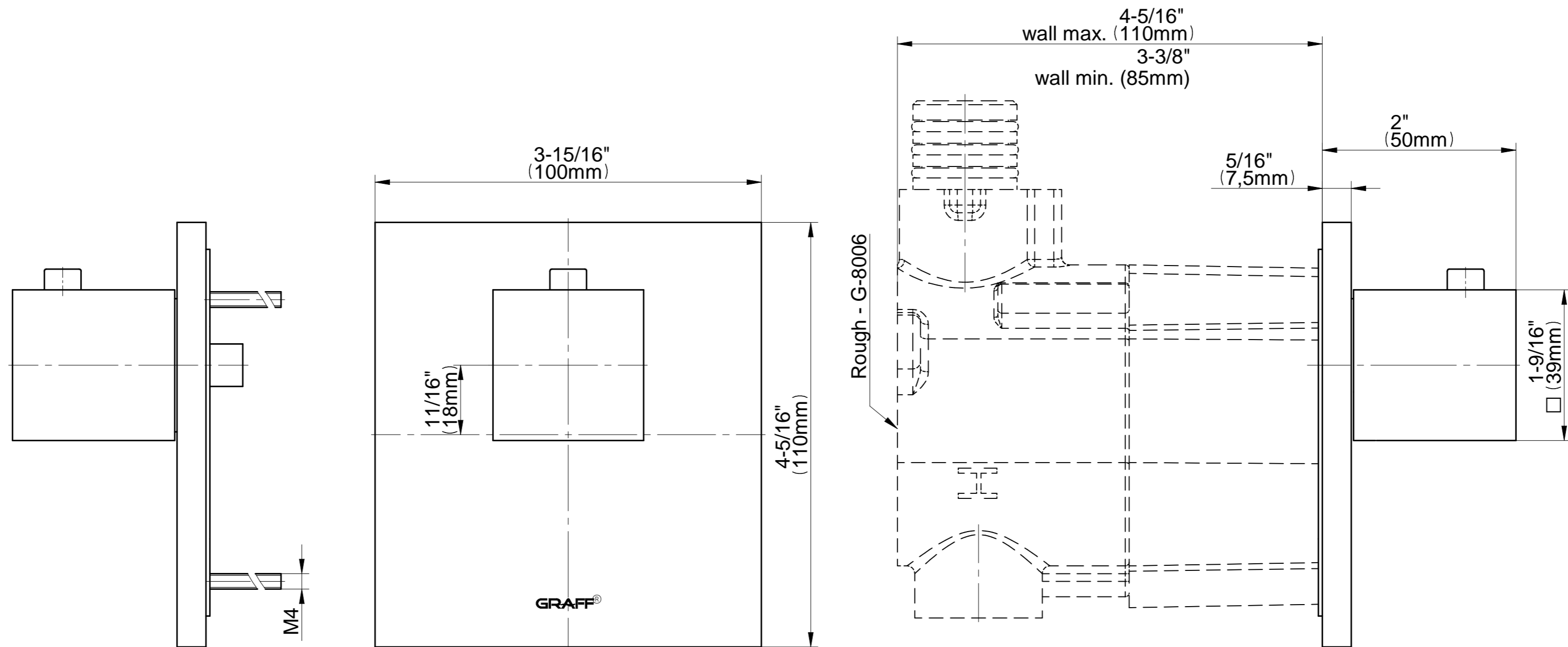
- Single metal handle
- Decorative trim plate
- Use with G-8006 thermostatic rough valve
- To complete package, you must order rough valve

Finishes



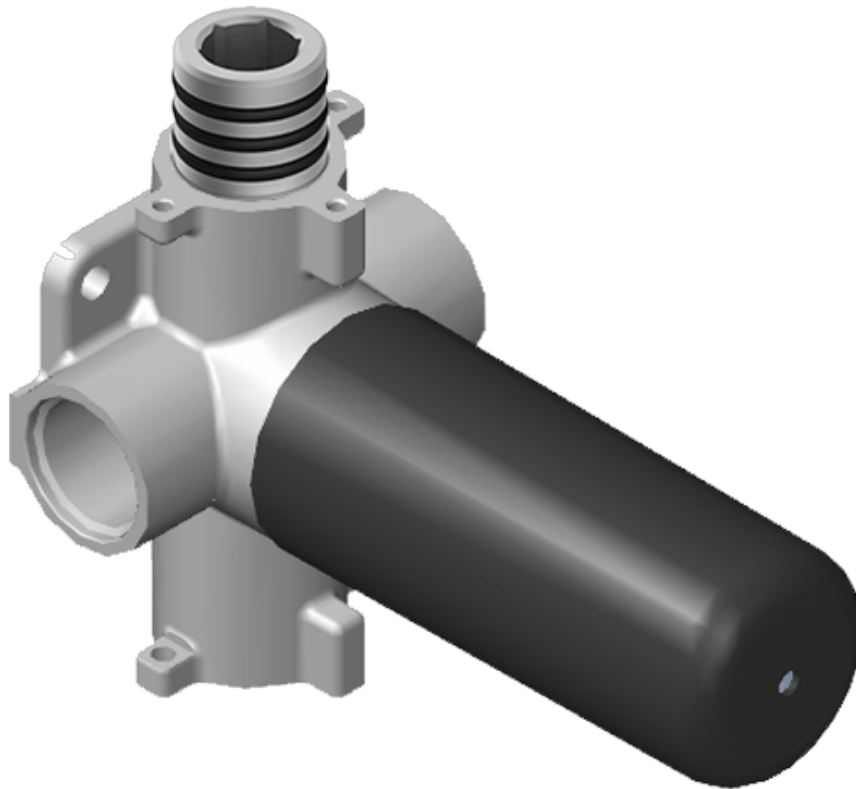
G-8043-SH-T

Thermostatic Valve -Trim - M-Series



GRAFF[®]
CUTTING EDGE DESIGN

SHOWER
 Two-Way Diverter Volume Control
 Valve WITH Off Function and Pass-
 Through
G-8052



Information

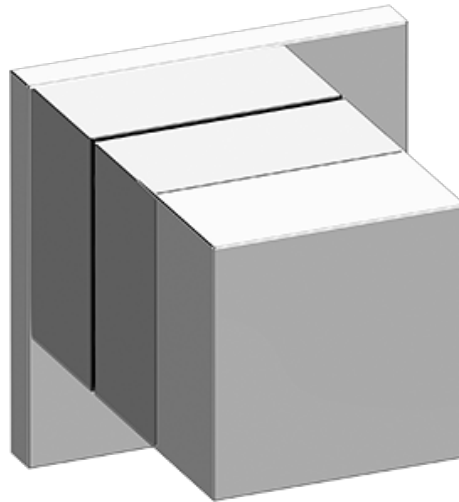
- 11.7 gpm @ 60 psi
- 3/4" universal inlets/outlets with female threads
- Operates one function at a time
- Stacking inlet and pass-through port feature
- Supplied with protective plastic cover
- CALGreen compliant depending on functions

Finishes



Steelnox® Architectural
(Satin Nickel) White

SHOWER
M-Series Square Two-Way
Diverter Valve Trim Plate and
Handle
G-8071-SH1-T



Information

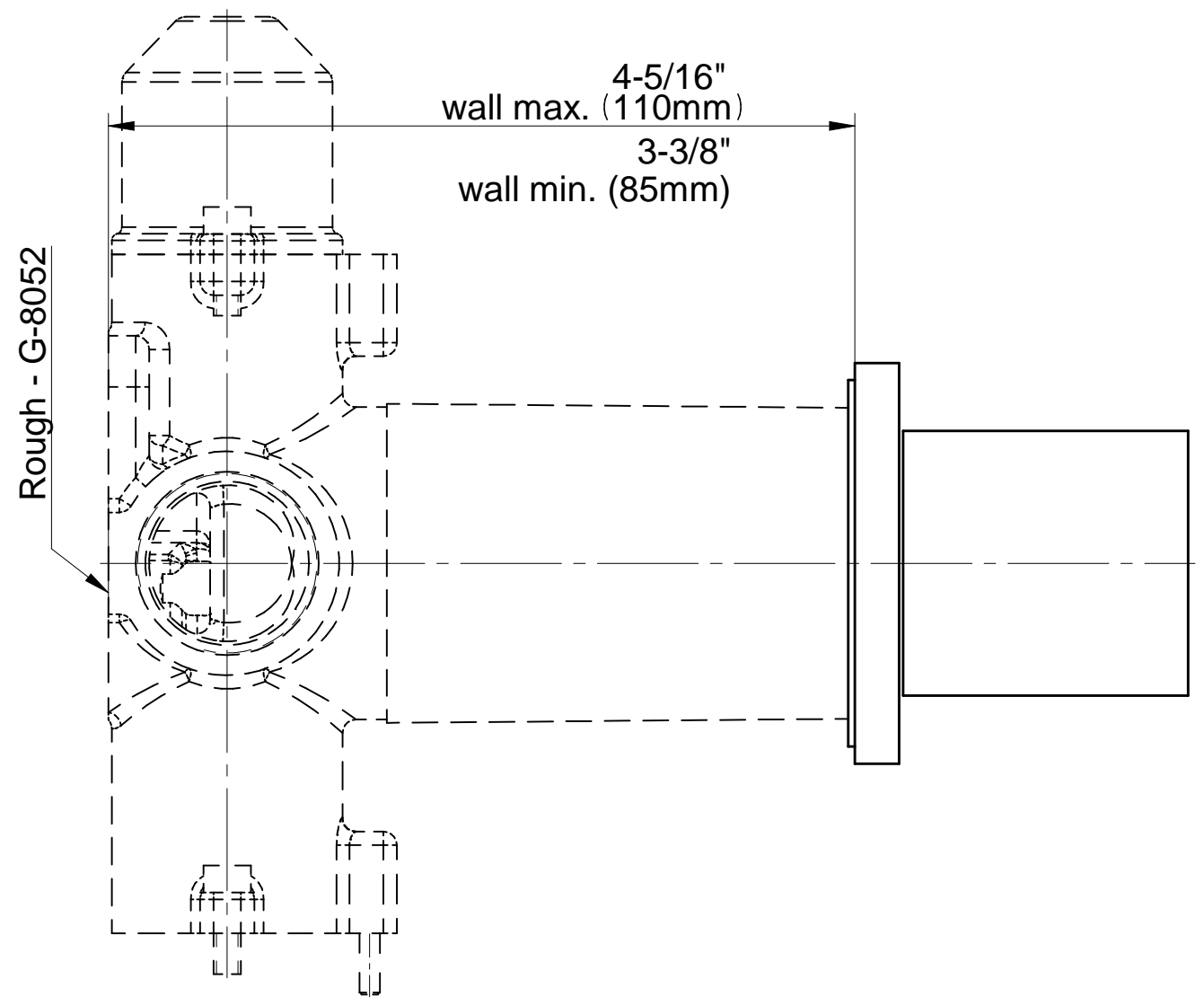
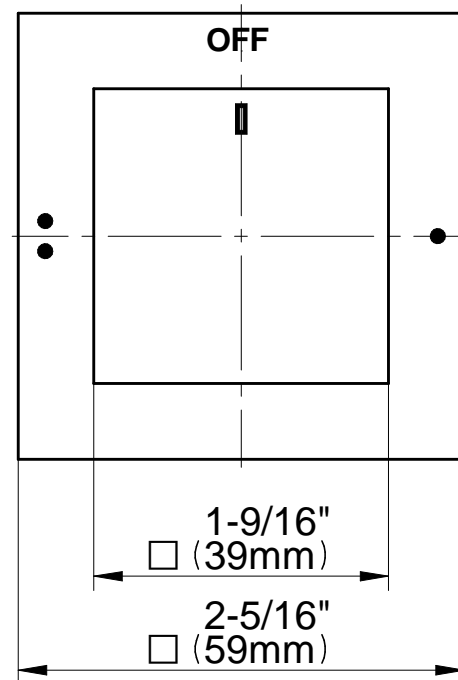
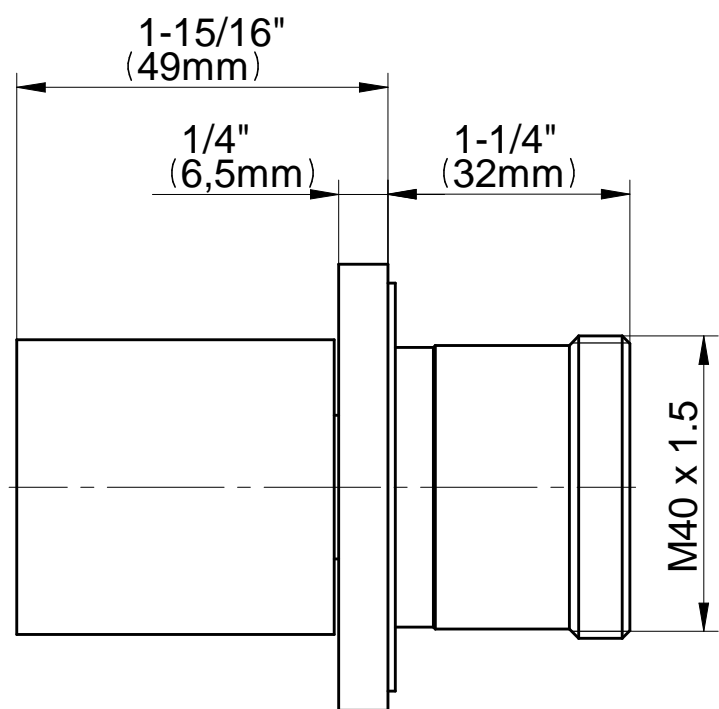
- Single metal handle
- Decorative trim plate
- Use with G-8052 2-way diverter (pass through) control rough valve WITH off function
- To complete package, you must order rough valve

Finishes



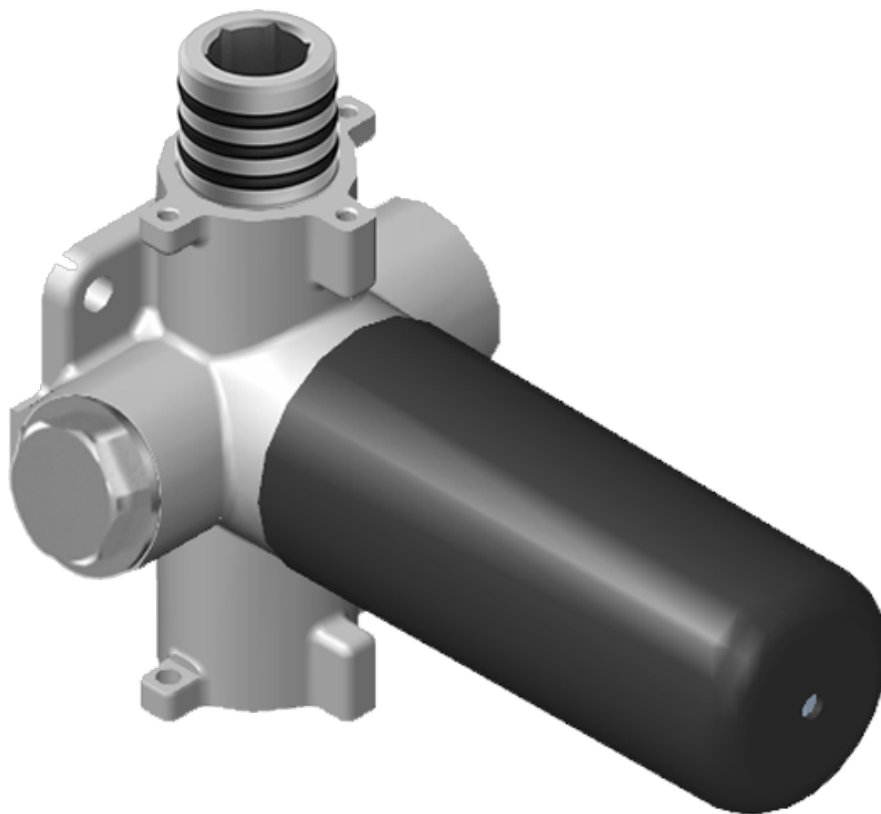
G-8071-SH1-T

2-way Diverter Valve - Trim - M-Series



GRAFF[®]
CUTTING EDGE DESIGN

SHOWER
 Stop/Volume Control Valve with
 Pass Through
G-8076



Information

- 12.3 gpm @ 60 psi
- 3/4" universal inlets/outlets with female threads
- Stacking inlet and pass-through port feature
- Supplied with protective plastic cover
- CalGreen compliant dependent on functions

Finishes

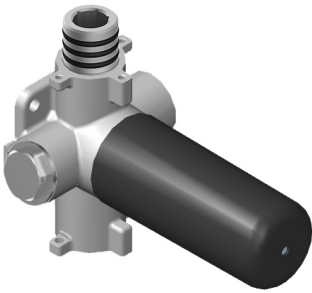
| | | | | | | | |
|---|---|---|---|---|---|---|---|
|  |  |  |  |  |  |  |  |
| 24K Gold | 24K Brushed Gold | Brushed Brass PVD | Architectural Black™ | Brushed Nickel | Brushed Onyx PVD® | Brushed OR'osa PVD® | Gunmetal |
|  |  |  |  |  |  |  |  |
| Gunmetal Distressed | Matte Black | Olive Bronze | Onyx PVD® | Polished Brass PVD | Polished Chrome | Polished Nickel | OR'osa PVD® |
|  |  | | | | | | |
| Steelnox® (Satin Nickel) | Architectural White | | | | | | |

G-8076

M-Series

Stop/Volume Control Rough Valve with Pass-Through

GRAFF[®]
CUTTING EDGE DESIGN



Product Features

- 13.2 gpm @ 60 psi
- 3/4" universal inlets/outlets with female threads
- Stacking inlet and pass-through port feature
- Supplied with protective plastic cover
- CalGreen compliant dependent on functions

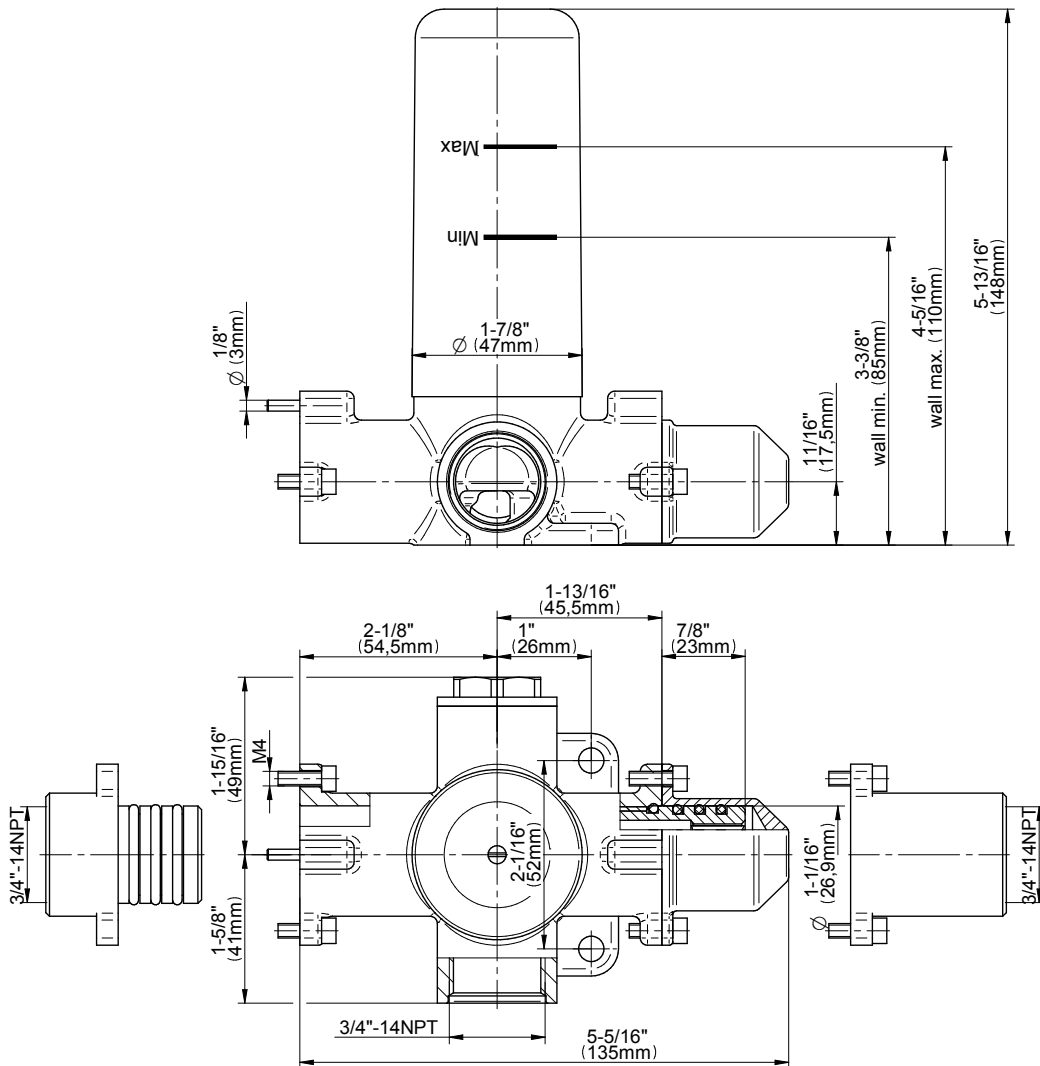
Code Compliance

- CALGreen

Warranty

- Limited lifetime warranty

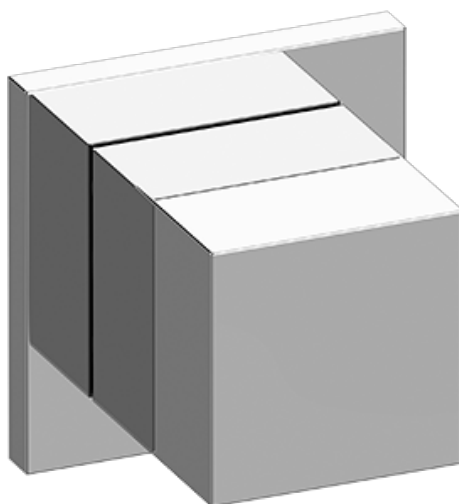
For complete warranty information go to www.graff-faucets.com/en/info/faqs



The measurements shown are for reference only. Products and specifications shown are subject to change without notice. Revised 3/2016.

www.graff-faucets.com | phone: 800-954-4723

SHOWER
M-Series Square Stop/Volume
Control Trim Plate and Handle
G-8098-SH1-T



Information

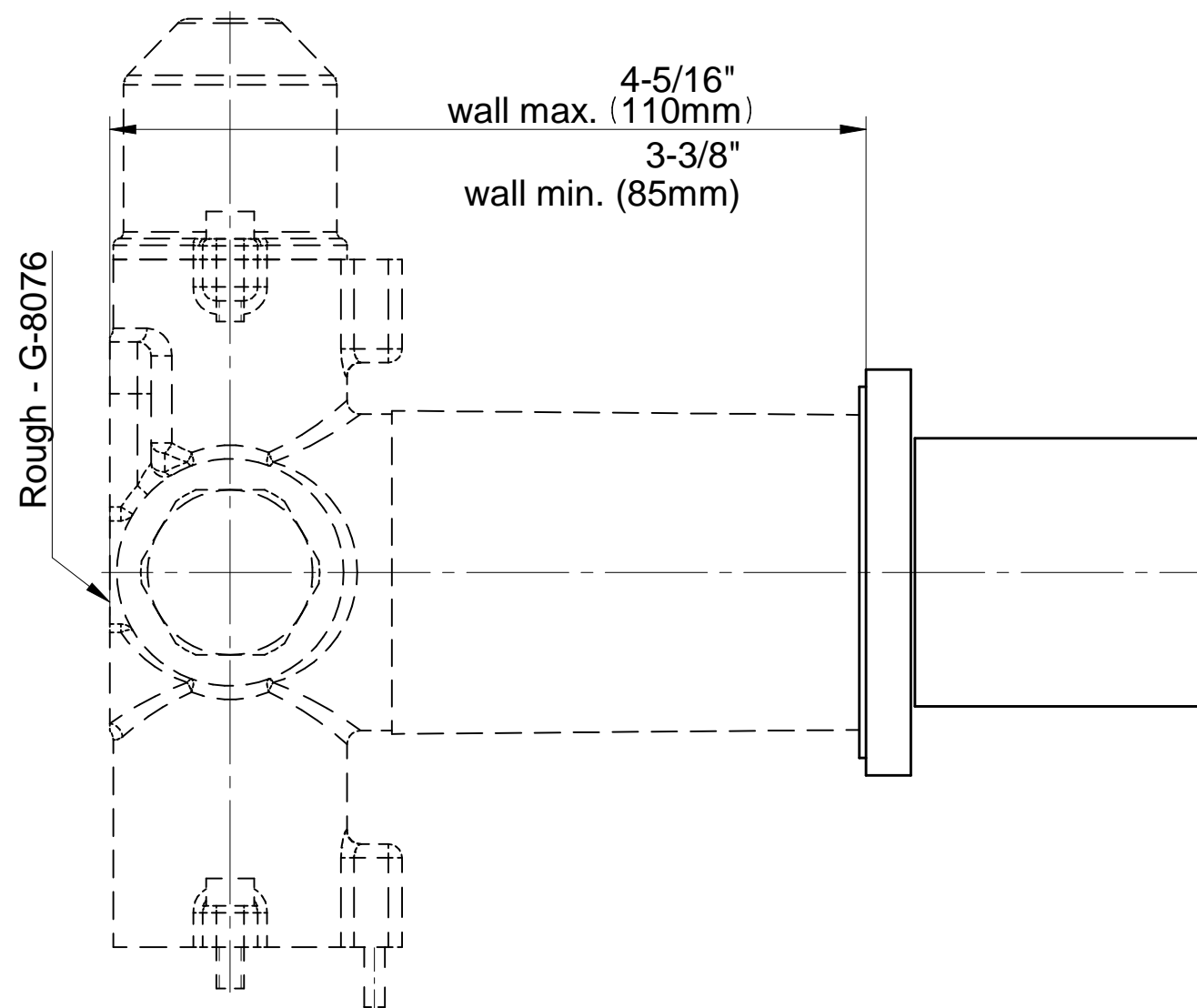
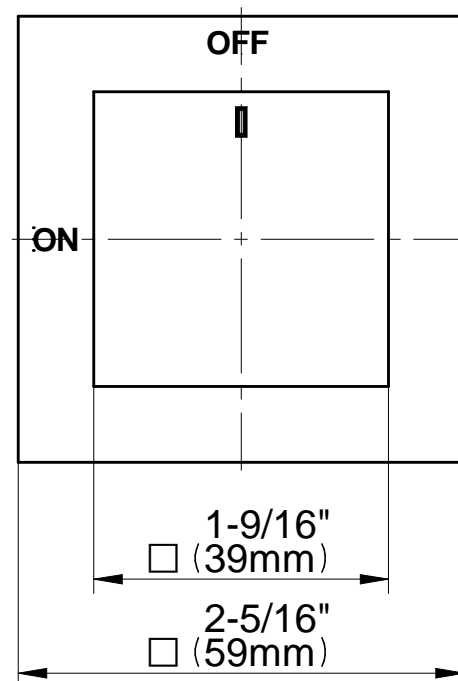
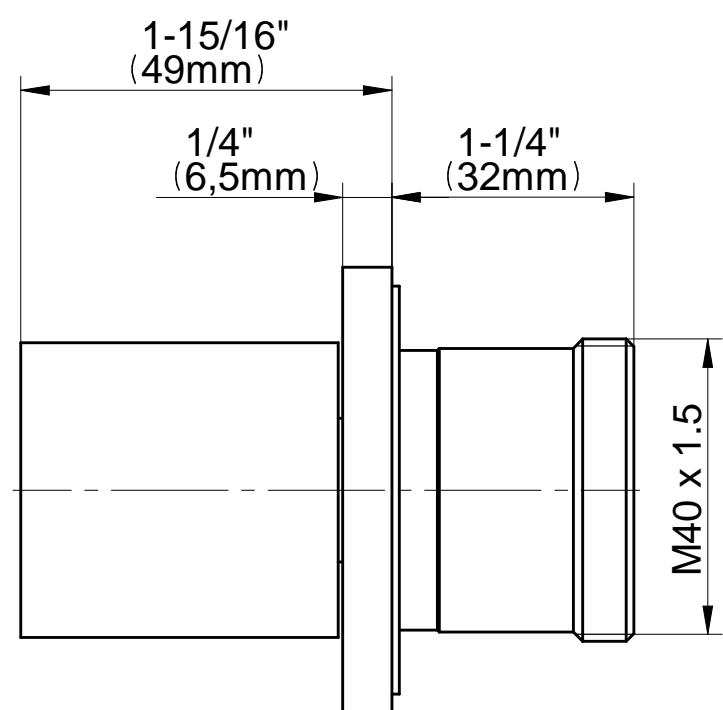
- Single metal handle
- Decorative trim plate
- Use with G-8076 Stop/Volume Control rough valve with Pass-Through or G-8077 Stop/Volume Control rough valve
- To complete package, you must order rough valve

Finishes



G-8098-SH1-T

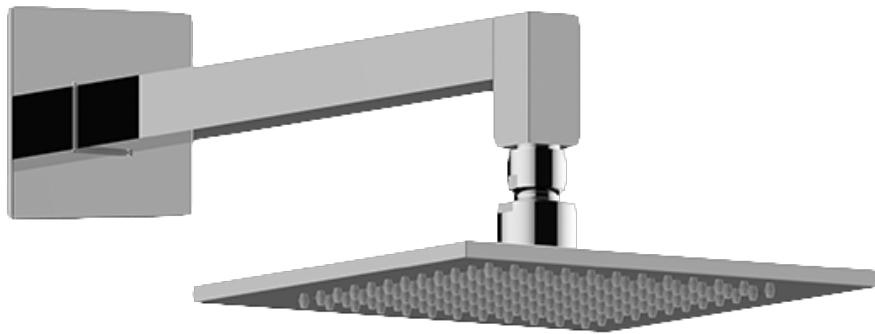
Stop/Volume Control Valve - Trim - M-Series



GRAFF[®]
CUTTING EDGE DESIGN

SHOWER
Contemporary Showerhead with
Arm
G-8355

GRAFF®



Information

- 8" square, low-profile rainshower head
- 12" shower arm and flange
- 144 no-clog, easy-clean rubber spray nozzles
- Showerhead flow rate ≤ 1.8 max gpm
- CALGreen

Finishes



G-8355

Contemporary Showerhead with Arm



Product Features

- 1/4" thick, 8" round, low-profile rain showerhead
- 12" shower arm includes flange
- 144 no-clog, easy-clean rubber spray nozzles
- 1/2" NPT male thread inlet
- Showerhead flow rate ≤ 1.8 max gpm

Available Finishes

- Polished Chrome
G-8355-PC
- Brushed Nickel
G-8355-BNi
- Polished Nickel
G-8355-PN
- Unfinished Brass*
G-8355-UB*
- Steelnix
G-8355-SN
- Olive Bronze*
G-8355-OB*
- Architectural Black with Chrome Accents*
G-8355-PC/BK*
- Gold*
G-8355-AU*
- Brushed Gold*
G-8355-BAU*

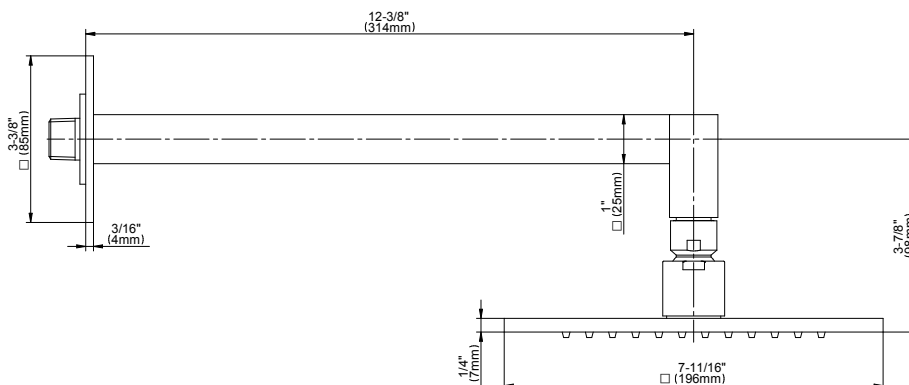
Code Compliance

- CALGreen

Warranty

- Limited lifetime warranty

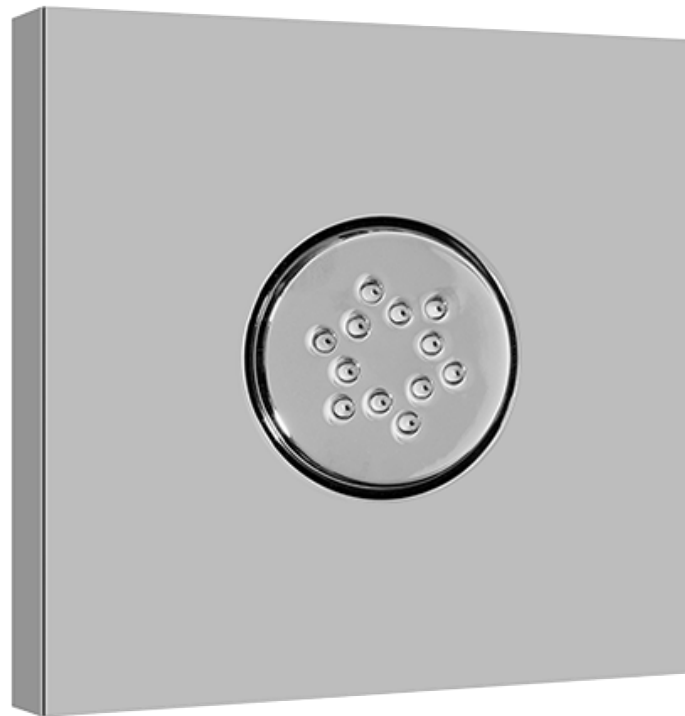
For complete warranty information go to www.graff-designs.com/en-nam/warranty



The measurements shown are for reference only. Products and specifications shown are subject to change without notice. Revised 12/2017

www.graff-designs.com | phone: 800-954-4723

SHOWER
 Square Flush Mount Body Spray
 w/ Solid Brass Swivel Head
G-8497



Information

- 12 no-clog, easy-clean silicon jets
- Metal ball-joint allows for 18° angle adjustment of body spray
- Brass wall escutcheon and flush-mounted trim
- 1/2" NPT female thread inlet
- Body spray flow rate ≤ 1.5 max gpm

Finishes



G-8497

Shower Components

Contemporary Flush-Mount Body Spray with Solid Brass Swivel Head



Product Features

- 12 no-clog, easy-clean silicone jets
- Metal ball-joint allows for 18° angle adjustment of body spray
- Brass wall escutcheon and Flush-mounted trim
- 1/2" NPT female thread inlet
- Body spray flow rate ≤ 1.5 max gpm

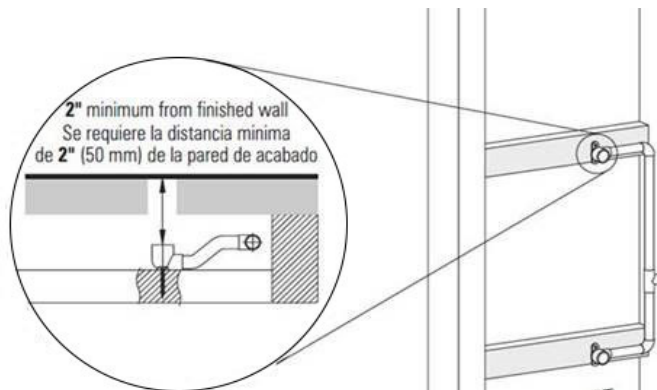
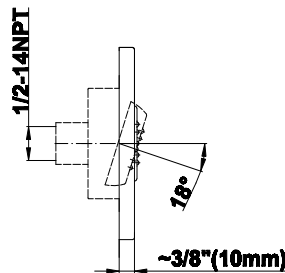
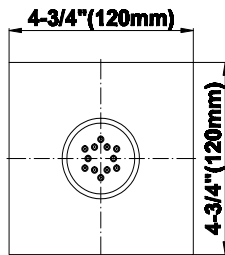
Warranty

- Limited lifetime warranty

For complete warranty information go to www.graff-designs.com/en-nam/warranty

Available Finishes

- Polished Chrome
G-8497-PC
- Polished Nickel
G-8497-PN
- Brushed Nickel
G-8497-BNi
- Matte Black*
G-8497-MBK*
- Architectural Black*
G-8497-BK*
- Architectural White*
G-8497-WT*
- Olive Brass
G-8497-OB
- Gunmetal*
G-8497-GM*
- Steelnox
G-8497-SN
- OR'osa PVD*
G-8497-RG*
- Onyx PVD*
G-8497-OX*
- Polished Brass PVD*
G-8497-PB*
- Brushed Brass PVD*
G-8497-BB*
- Brushed Gold*
G-8497-BAU*
- Gold*
G-8497-AU*
- Gunmetal Distressed*
G-8497-GMD*



SHOWER
 Contemporary Handshower
 w/Wall-Mounted Slide Bar
G-8670

GRAFF®



Information

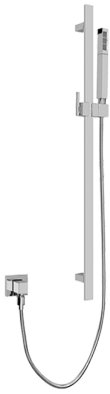
- Handshower with 28" wall-mounted slide bar
- 59" shower hose and wall supply elbow
- Bracket fits all hoses with conical nut
- Handshower flow rate ≤ 1.5 max gpm
- Includes internal backflow preventer
- CALGreen

Finishes



G-8670

Contemporary Handshower w/Wall-Mounted Slide Bar



Product Features

- Handshower with 23" wall-mounted slide bar
- 59" shower hose and wall supply elbow
- Bracket fits all hoses with conical nut
- Includes Contemporary Square Handshower - G-8644
- Includes 1/2" NPT male threaded wall supply elbow
- Handshower flow rate ≤ 1.5 max gpm

Available Finishes

- Polished Chrome
G-8670-PC
- Steelnox[®]
G-8670-SN
- Polished Nickel
G-8670-PN
- Olive Bronze
G-8670-OB
- Architectural Black with Chrome Accents
G-8670-PC/BK

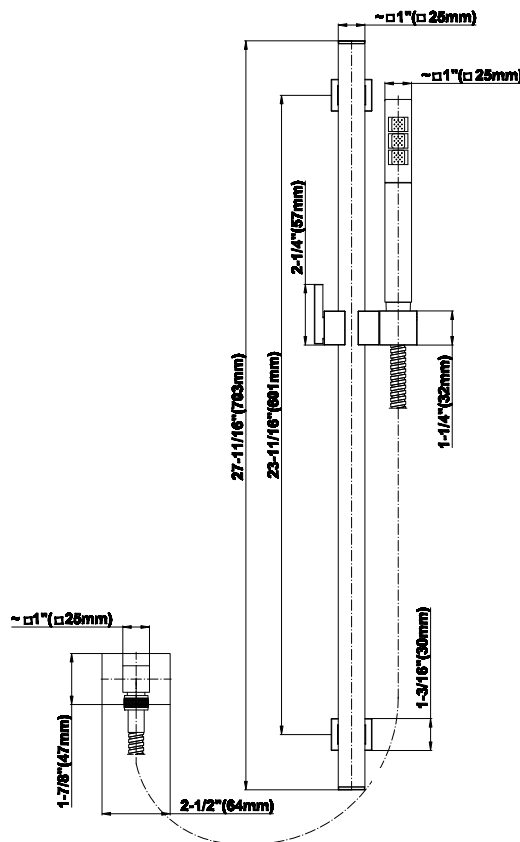
Code Compliance

- CALGreen

Warranty

- Limited lifetime warranty

For complete warranty information go to: www.graff-faucets.com/en/info/faqs



The measurements shown are for reference only. Products and specifications shown are subject to change without notice. Revised 8/2017

www.graff-faucets.com | phone: 800-954-4723