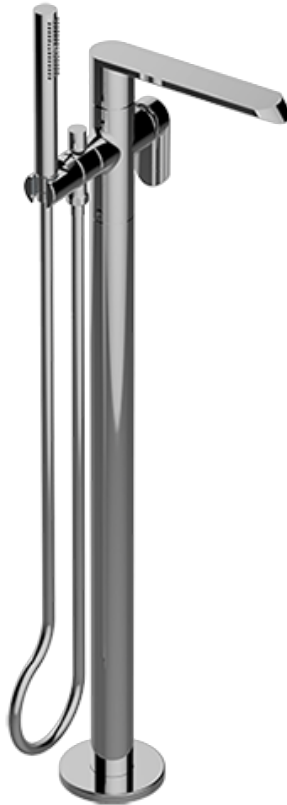


BATHROOM  
Phase Floor-Mounted Tub Filler -  
Rough and Trim  
**G-6654-LM45N**

---

**GRAFF®**



### **Information**

- Floor-mount installation
- Aerated spout flow rate ~8 gpm @ 45 psi
- Aerated handshower flow rate  $\leq 1.5$  max gpm
- 7-13/16" spout reach
- 31-1/8" to 34-5/16" approximate height
- Includes handshower with 59" spiral flexible hose
- Optional in-line pressure balancing valve



### Product Features

- Floor-mount installation
- Aerated flow rate ~8 gpm @ 45 psi
- Aerated handshower flow rate ≤ 1.5 max gpm
- 7-13/16" spout reach
- 31-1/8" to 34-5/16" approximate height
- Includes handshower with 59" spiral flexible hose
- Optional in-line pressure balancing valve

### Available Finishes

- Polished Chrome  
G-6654-LM45N-PC
- Brushed Nickel  
G-6654-LM45N
- Polished Nickel  
G-6654-LM45N-PN
- Olive Bronze  
G-6654-LM45N-OB

\* Special order finish- call for availability

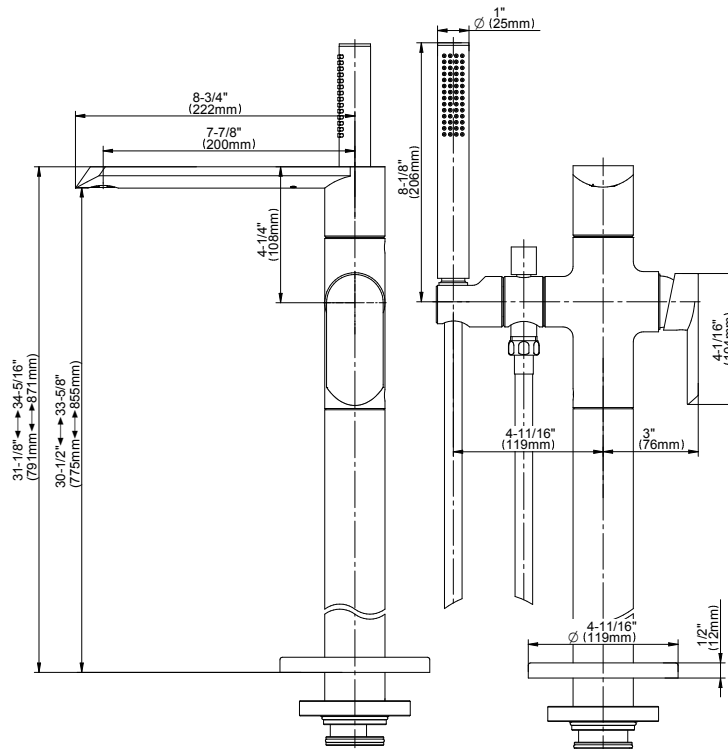
### Warranty

- Limited lifetime warranty

For complete warranty information go to [www.graff-faucets.com/en-nam/warranty](http://www.graff-faucets.com/en-nam/warranty)

### Code Compliance

- ADA
- CALGreen



BATHROOM  
Spout Connection Rough  
**G-1045**

**GRAFF**<sup>®</sup>



**Finishes**



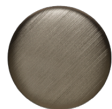
24K Gold



24K Brushed  
Gold



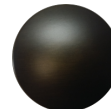
Architectural  
Black™



Brushed  
Nickel



Matte Black



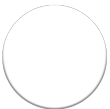
Olive Bronze



Polished  
Chrome



Polished  
Nickel



Architectural  
White

**G-1045**  
Spout Connection Rough



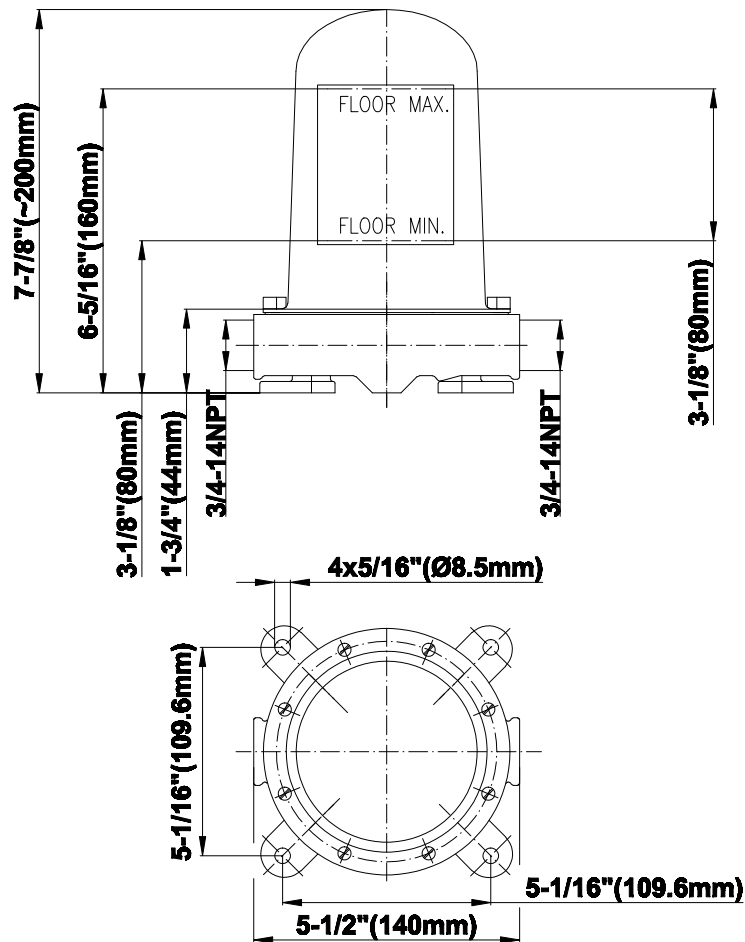
**Product Features**

- Mud guard displays minimum and maximum floor depth
- Rough can be installed in any orientation making it convenient to route pipes to the rough
- Trim can be rotated 360 degrees in any directions
- Averages 10 GPM with most trim

**Warranty**

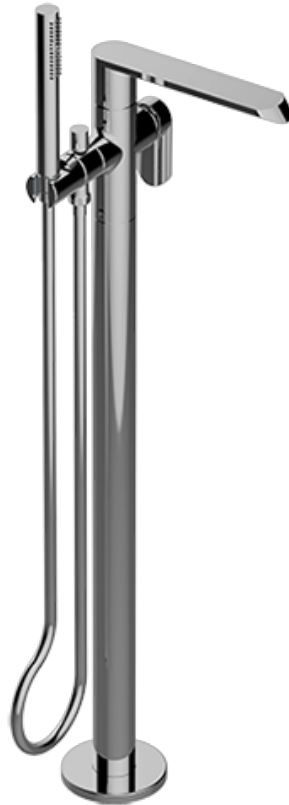
- Limited lifetime warranty

For complete warranty information go to <http://www.graff-faucets.com/en/info/faqs>



BATHROOM  
Phase Floor-Mounted Tub Filler -  
Rough and Trim  
**G-6654-LM45N**

**GRAFF®**



### Information

- Floor-mount installation
- Aerated spout flow rate ~8 gpm @ 45 psi
- Aerated handshower flow rate ≤1.5 max gpm
- 7-13/16" spout reach
- 31-1/8" to 34-5/16" approximate height
- Includes handshower with 59" spiral flexible hose
- Optional in-line pressure balancing valve

### Finishes



24K Gold



24K Brushed  
Gold



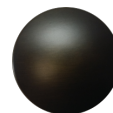
Architectural  
Black™



Brushed  
Nickel



Matte Black



Olive Bronze



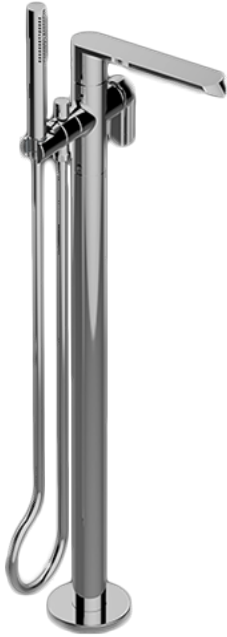
Polished  
Chrome



Polished  
Nickel



Architectural  
White



### Product Features

- Floor-mount installation
- Aerated flow rate ~8 gpm @ 45 psi
- Aerated handshower flow rate ≤ 1.5 max gpm
- 7-13/16" spout reach
- 31-1/8" to 34-5/16" approximate height
- Includes handshower with 59" spiral flexible hose
- Optional in-line pressure balancing valve

### Available Finishes

- Polished Chrome  
G-6654-LM45N-PC
- Brushed Nickel  
G-6654-LM45N
- Polished Nickel  
G-6654-LM45N-PN
- Olive Bronze  
G-6654-LM45N-OB

\* Special order finish- call for availability

### Warranty

- Limited lifetime warranty

For complete warranty information go to [www.graff-faucets.com/en-nam/warranty](http://www.graff-faucets.com/en-nam/warranty)

### Code Compliance

- ADA
- CALGreen

