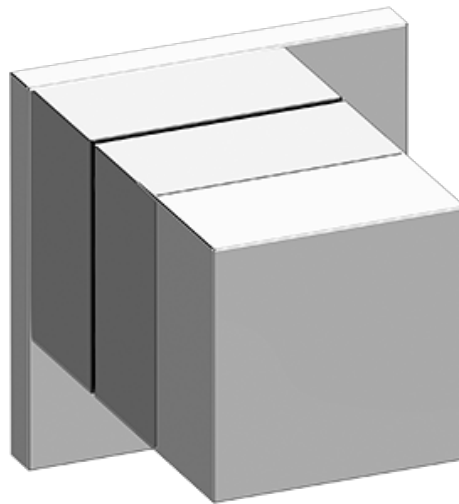


SHOWER
M-Series Square Two-Way
Diverter Valve Trim Plate and
Handle
G-8071-SH1-T



Information

- Single metal handle
- Decorative trim plate
- Use with G-8052 2-way diverter (pass through) control rough valve WITH off function
- To complete package, you must order rough valve

Finishes



24K Gold



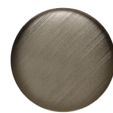
24K Brushed Gold



Brushed Brass PVD



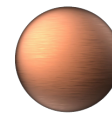
Architectural Black™



Brushed Nickel



Brushed Onyx PVD®



Brushed OR'osa PVD®



Gunmetal



Gunmetal Distressed



Matte Black



Olive Bronze



Onyx PVD®



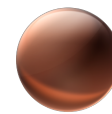
Polished Brass PVD



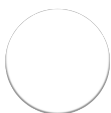
Polished Chrome



Polished Nickel



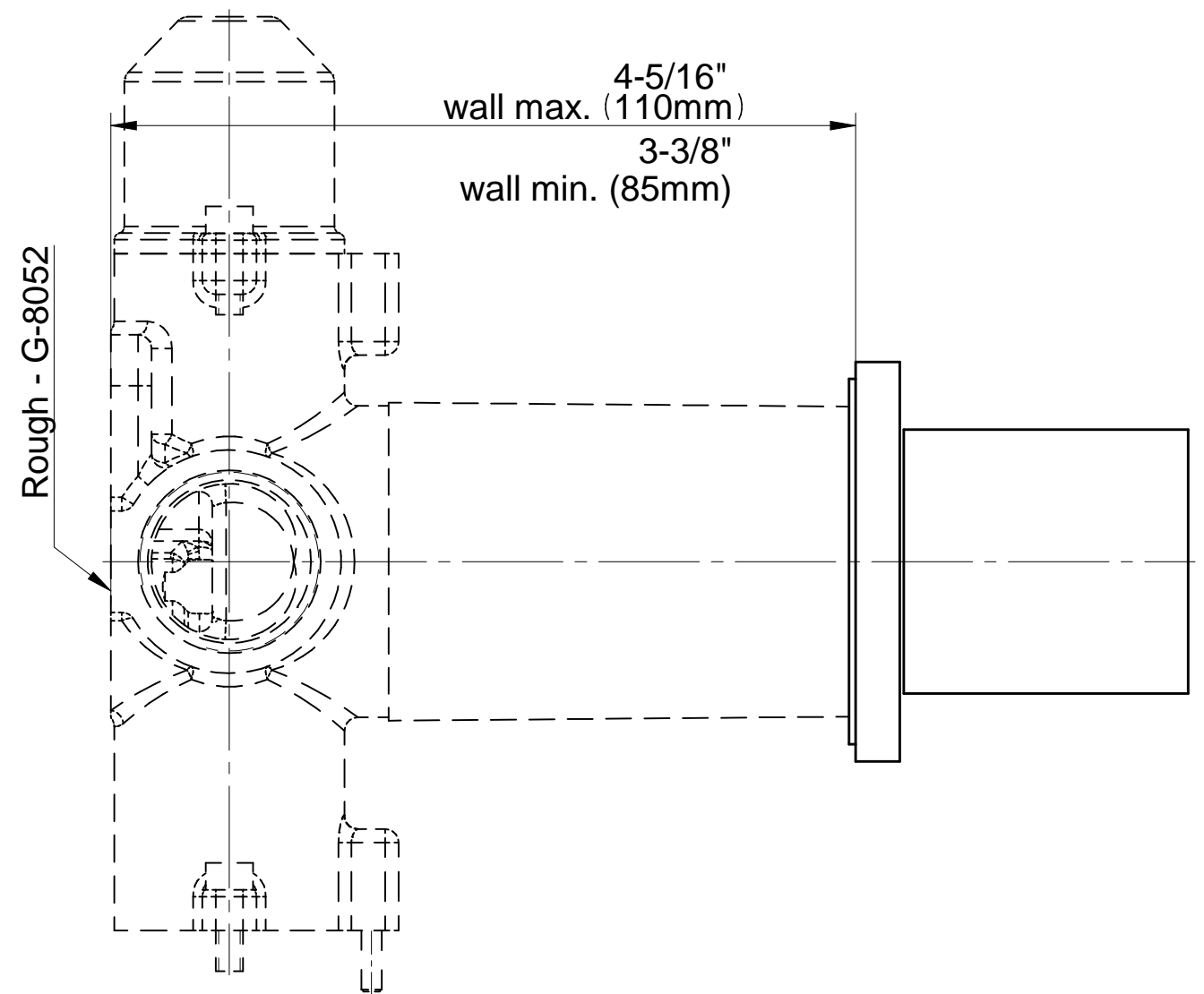
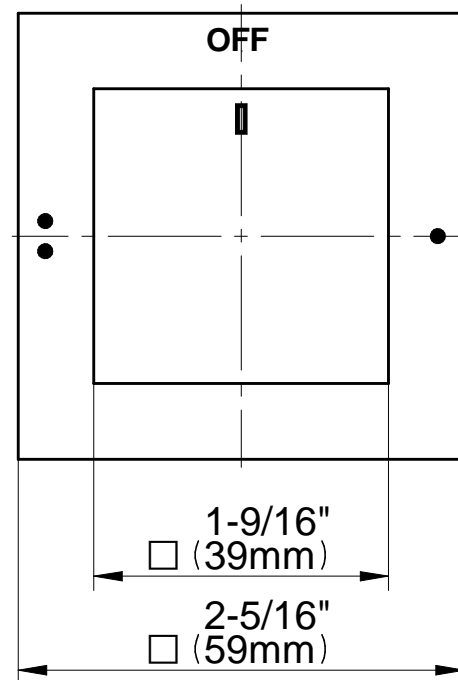
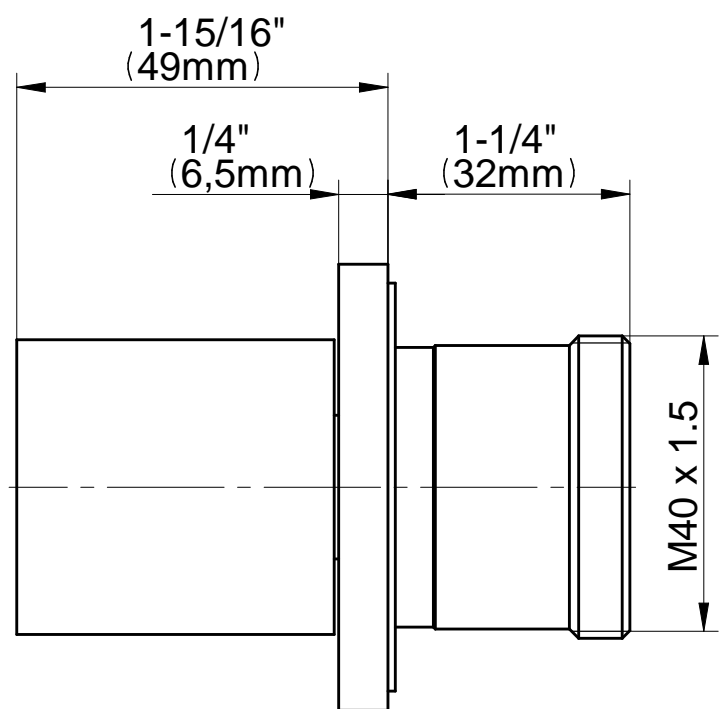
OR'osa PVD®



Architectural White

G-8071-SH1-T

2-way Diverter Valve - Trim - M-Series



GRAFF[®]
CUTTING EDGE DESIGN