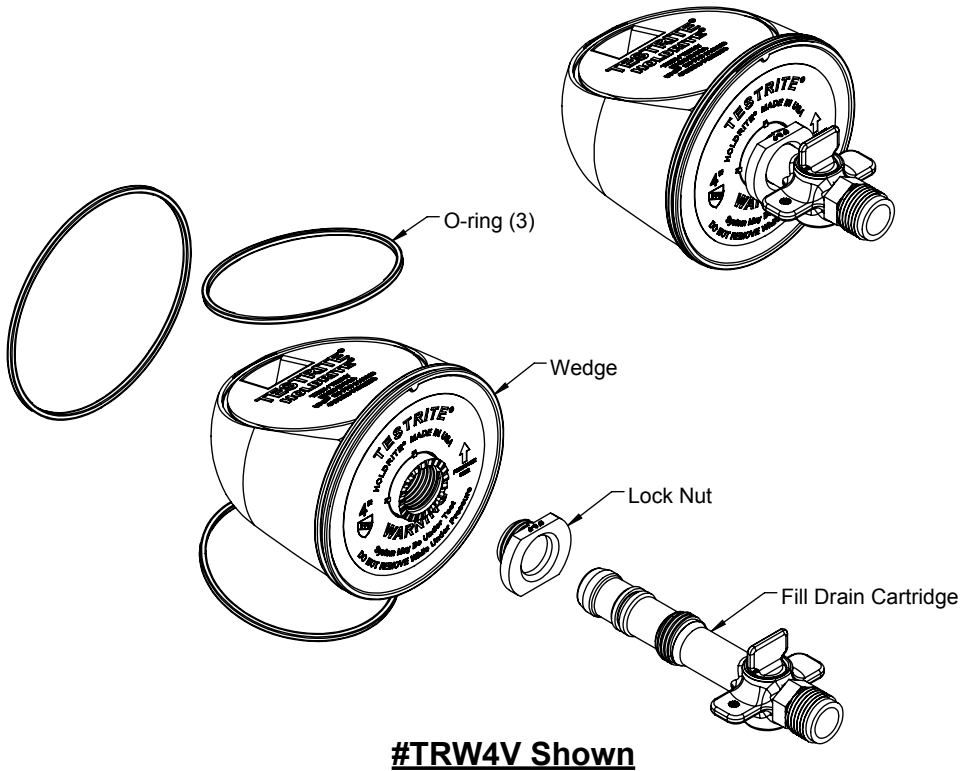
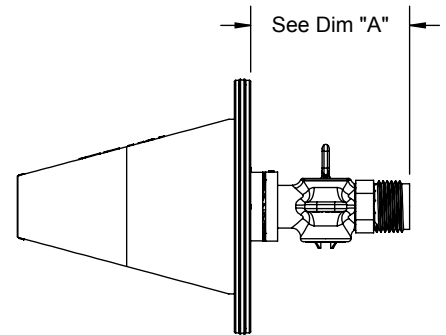


PRODUCT SPECIFICATION DRAWING

TESTRITE® #TRW2V thru #TRW6V (2", 3", 4" & 6")



DIMENSION CHART	
Size	Dim "A" (closed)
2"	4.15" (4-5/32")
3"	3.85" (3-7/8")
4"	2.95" (3.0")
6"	3.50" (3-1/2")



The TESTRITE® TRW2V through TRW6V (TEST WEDGES with VALVES) are used in conjunction with TESTRITE TEE'S, which allow temporary blocking of the DWV stack for testing while providing connections for convenient system fill and drain. Available in 2", 3", 4" & 6" piping systems.

Product Information:

- Material:
 - Wedge: Nylon 6/6
 - Fill Drain Cartridge: NYLON 6/6, Black
 - Lock Nut: Nylon 6/6, Black
- Pressure ratings with TestRite's fittings up to 50' head of water / 5 psi (air):
 - 2" & 3" up to 50' head, 4" & 6" up to 40' head
- For use only with TestRite® fittings
- Patents issued and Patents Pending

THIS INFORMATION IS PROPRIETARY TO HOLDRITE AND IS SUBJECT TO CHANGE WITHOUT NOTICE. IT MAY NOT BE REPRODUCED IN PART OR WHOLE WITHOUT WRITTEN AUTHORIZATION.



Product Submittal	
Job Name:	
Date:	
Part Number:	Qty:
Architect / Owner:	
Contractor:	
Notes:	