



## HTAPRHVRHD Cane Touch Apron for HVRHD Series

### GENERAL

The cane touch apron is designed to provide symmetry along the front of the units. Available in stainless steel or platinum vinyl finishes. For use on all Halsey Taylor HVRHD 14 GA Series bi-level units to assist with compliance to the protruding objects requirements of ADA (Americans with Disabilities Act).

Note: Floor to underside measurements of cane apron equals 27" when mounted correctly.

### KIT CONSISTS OF:

- Cane Apron
- Torx Screws & Bit
- Installation instructions

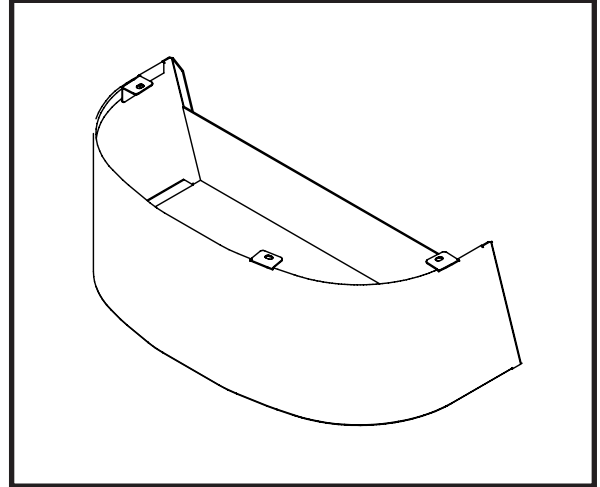
### Available finish:

- 18 GA Stainless Steel

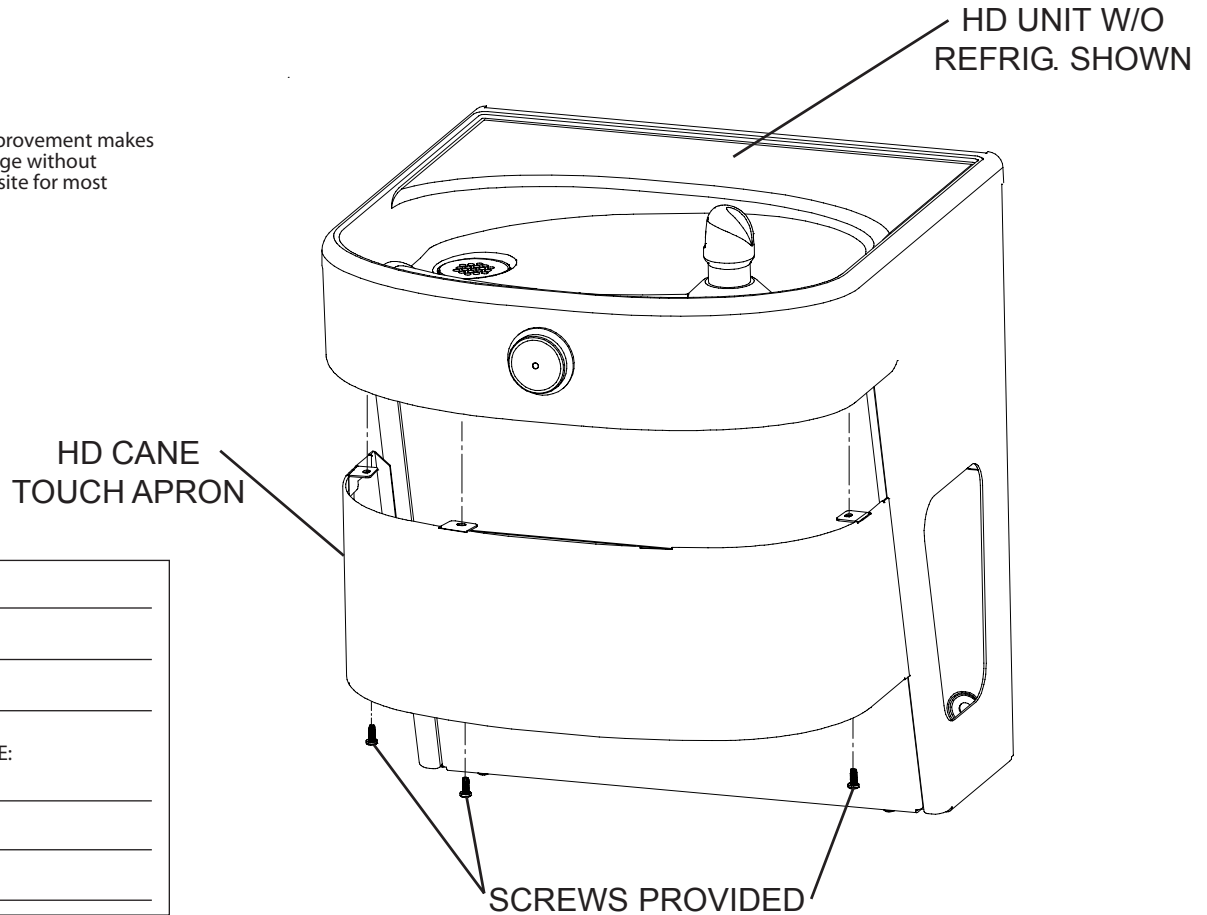
Shipping Weight: 4 lbs.

NOTE: Continued product improvement makes specifications subject to change without notice. See Halsey Taylor website for most current spec sheet.

## Cane Touch Apron



98324C Cane Apron shown installed on  
Halsey Taylor Model HVR8BL ADA



JOB NAME:	_____
	_____
	_____
ENGINEER/CONTRACTOR NAME:	_____
	_____
APPROVAL:	_____
DATE:	_____