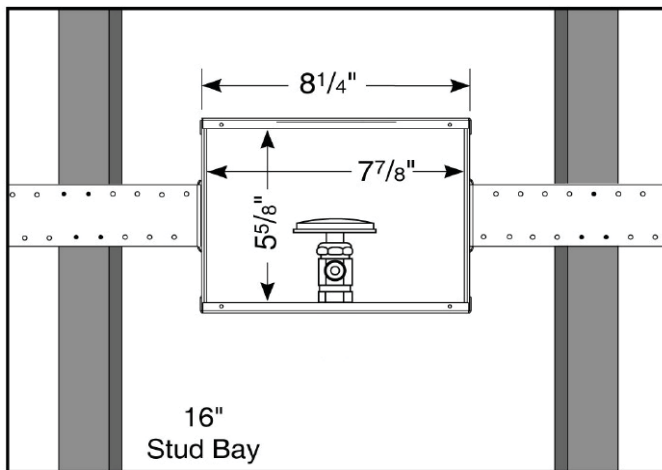
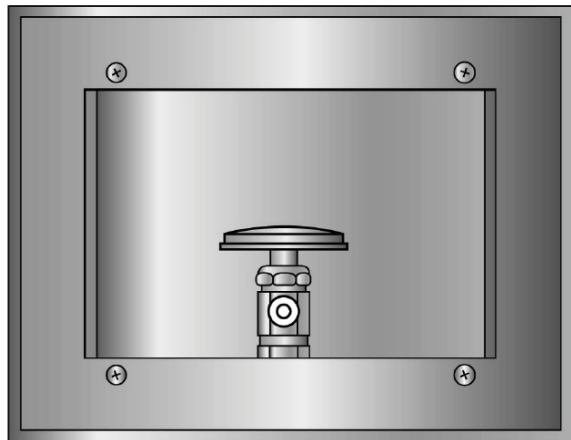


SPECIFICATION SUBMITTAL SHEET



STAINLESS STEEL ICE MAKER BOX with Lead Free Domestic Valves



Specifications:

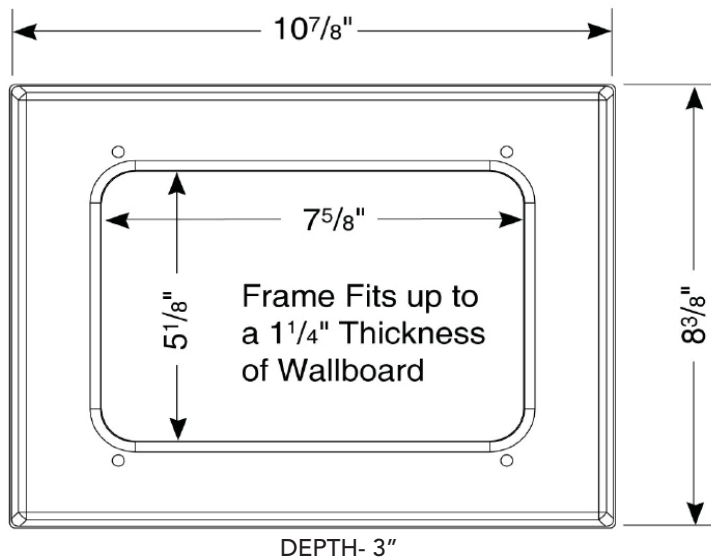
Furnish and install stainless steel ice maker outlet box. Unit shall be Guy Gray product code checked below as manufactured by IPS Corporation.

Box Material:

304 Stainless Steel

Valve & Drain Options:

Lead Free Domestic Valve with 1/2" MIP/Sweat connection furnished. Valves comply with ASME A112.18.1.



Item #	Product Description	Model #	Quantity
88177	Stainless Steel Ice Maker Box w/Lead Free Domestic Sweat Valves	SSIB2AB	5

