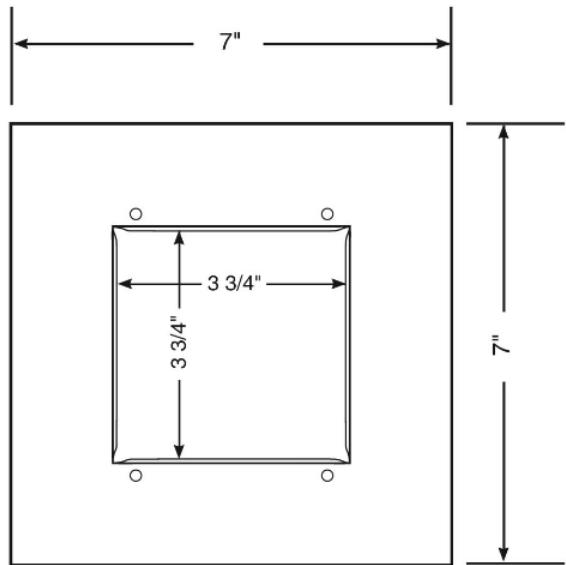
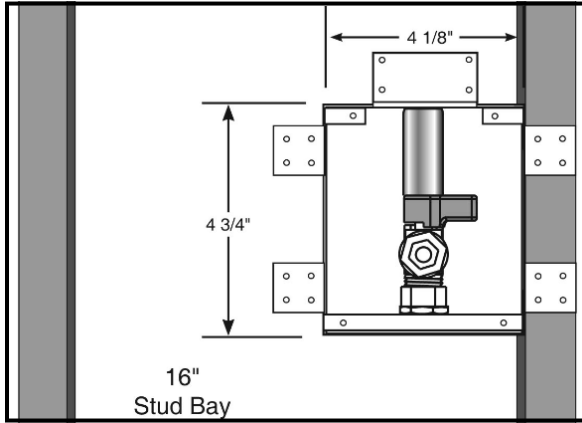




White Powder Coated Ice Maker Outlet Box
With Lead Free Hammer Arrester Valves



SPECIFICATION

Furnish and install recessed, white powder coated ice maker outlet box. Ice maker outlet box shall have a brass plated, quarter turn hammer arrester valve meeting Lead-Free requirements. Valve shall feature either Mylar® tag and AB1953 stamping or white handle and check-mark logo for easy Lead-Free identification. Unit shall be Guy Gray™ product code checked below as manufactured by IPS Corporation.

Product Code #	Model Number	Product Description	Units/Case
88531	MIB1HAAB	Brass Qtr Turn Hammer Arrester Valve, Installed, 1/2" Sweat Conx.	5
88533	MIB2HAAB	Brass Qtr Turn Hammer Arrester Valve, Installed, 1/2" CPVC Conx.	5



www.ipscorp.com watertite@ipscorp.com

500 Distribution Parkway, Collierville, TN 38017, USA ■ TEL: 901-853-5001 ■ WATS: 800-888-8312 ■ FAX: 901-853-5008