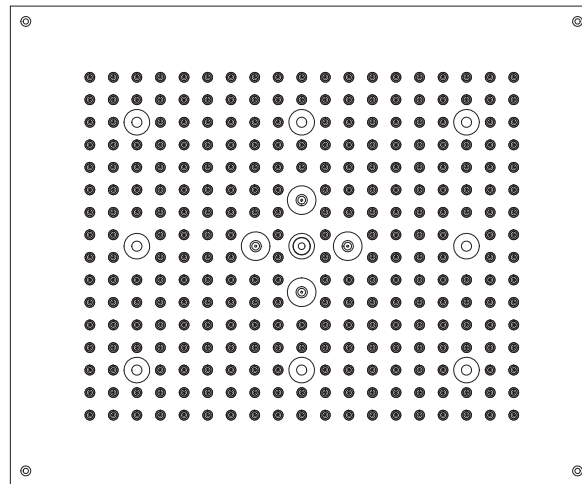


# INSTALLATION INSTRUCTIONS

1823-DLNEB

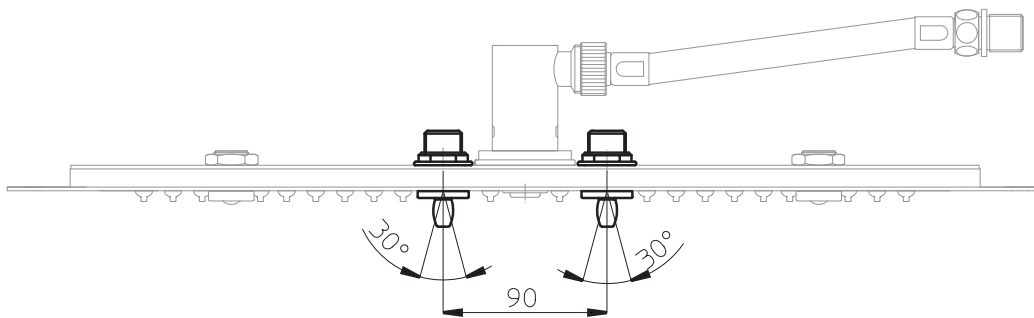
# JACLO®

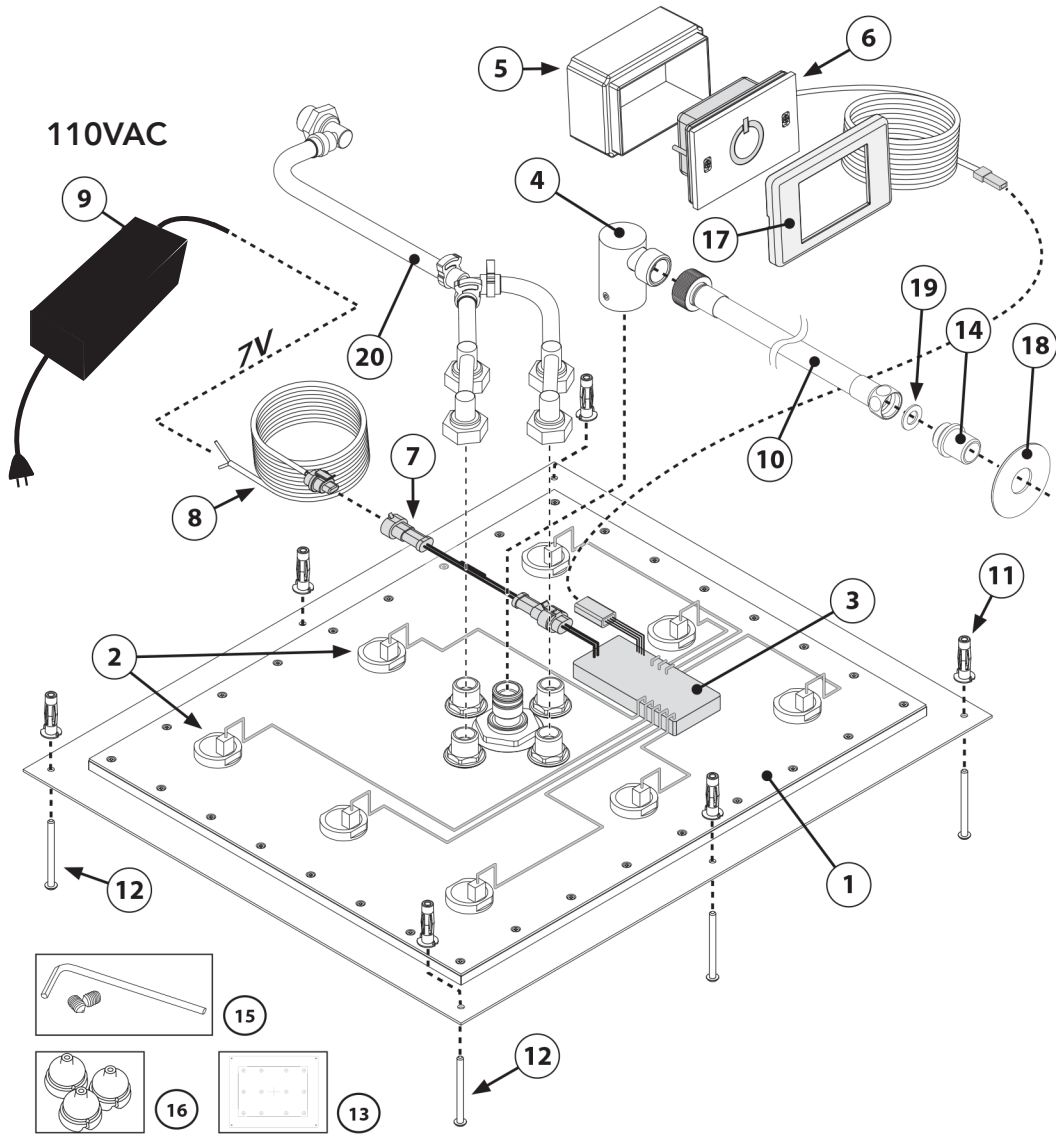
Confidence from start to finish.™



Dream Rectangular<sup>Light</sup>  
570x470 mm - 8 LED

Dream Rectangular<sup>Light RGB</sup>  
570x470 mm - 8 LED






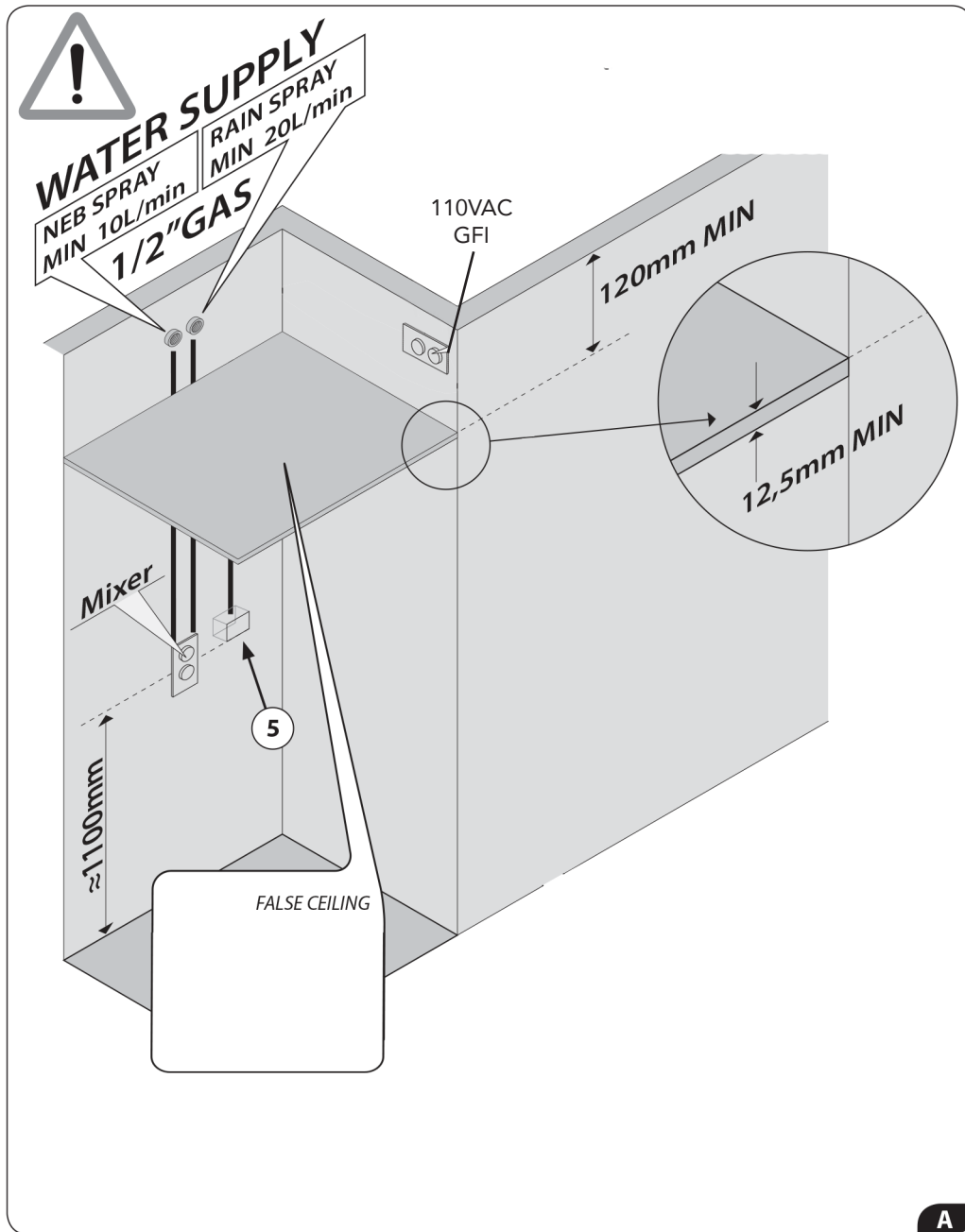
**GB Parts**

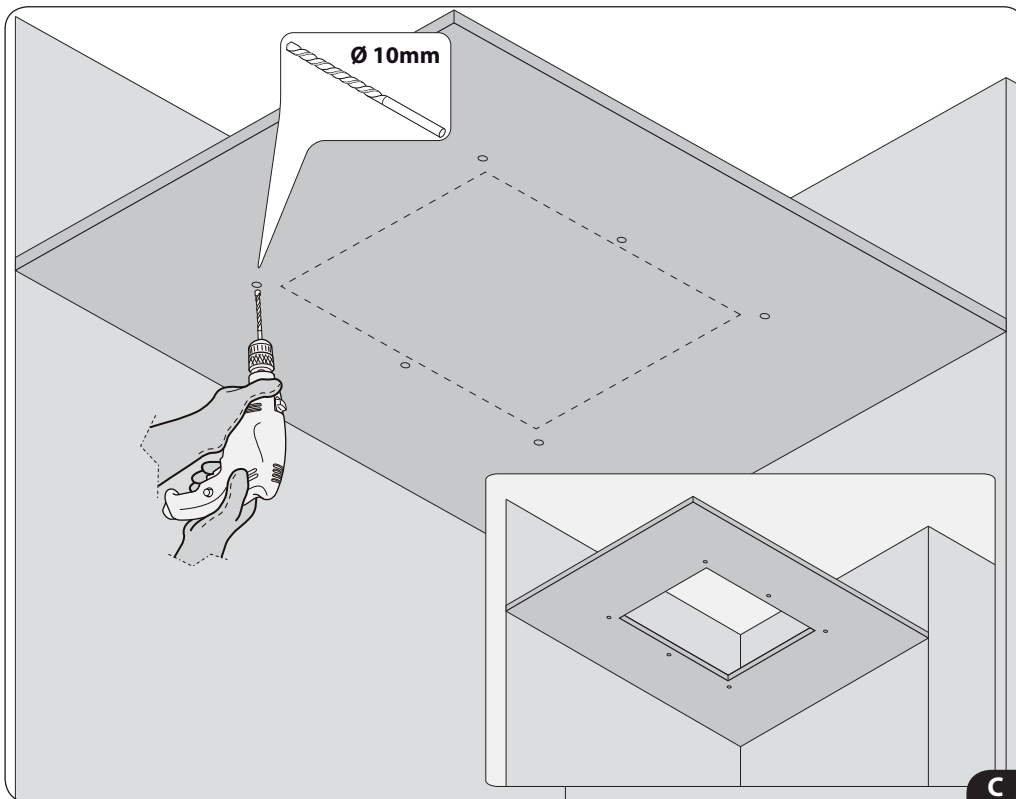
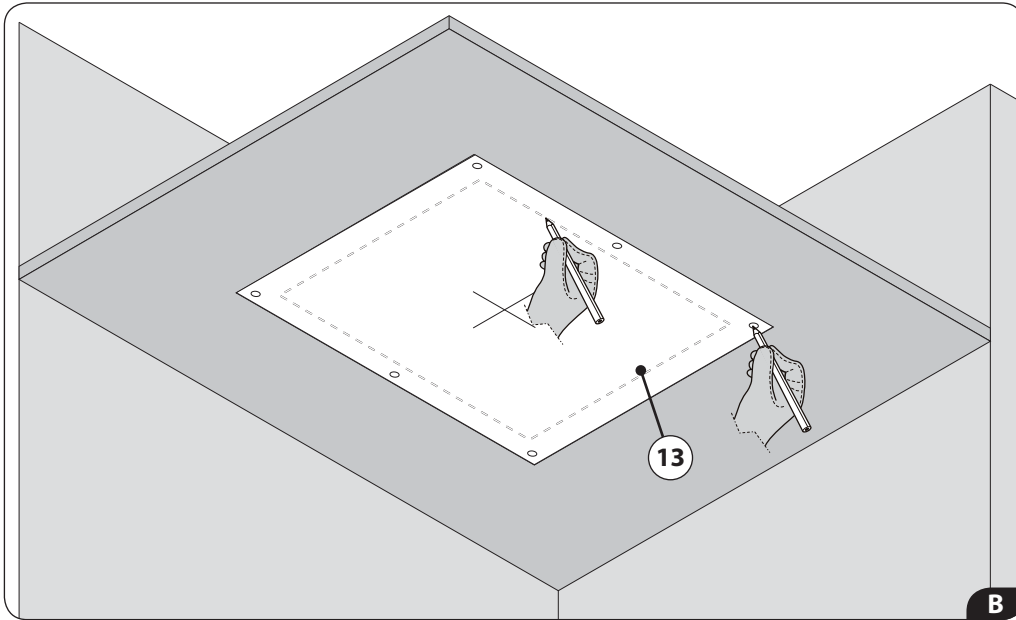
1. Stainless steel shower head
2. LED
3. IP66 / IP67 electronic board
4. Quick coupling connector to shower head
5. Recessed enclosure
6. Control keypad with 3m cable (other lengths available on request)
7. Connector with fuse
8. 7V connection cable - 5m long (other lengths available on request)
9. Power supply unit
10. Flexible hose 100 cm ½" F X ½" F
11. False-ceiling plugs
12. Screws
13. Template
14. Adaptor connection ½" M x ½" M
15. Hex key with grub screws
16. Rubber nozzles (spare)
17. Chrome plate
18. Rosette
19. Seal
20. Flexible hose for NEB jet

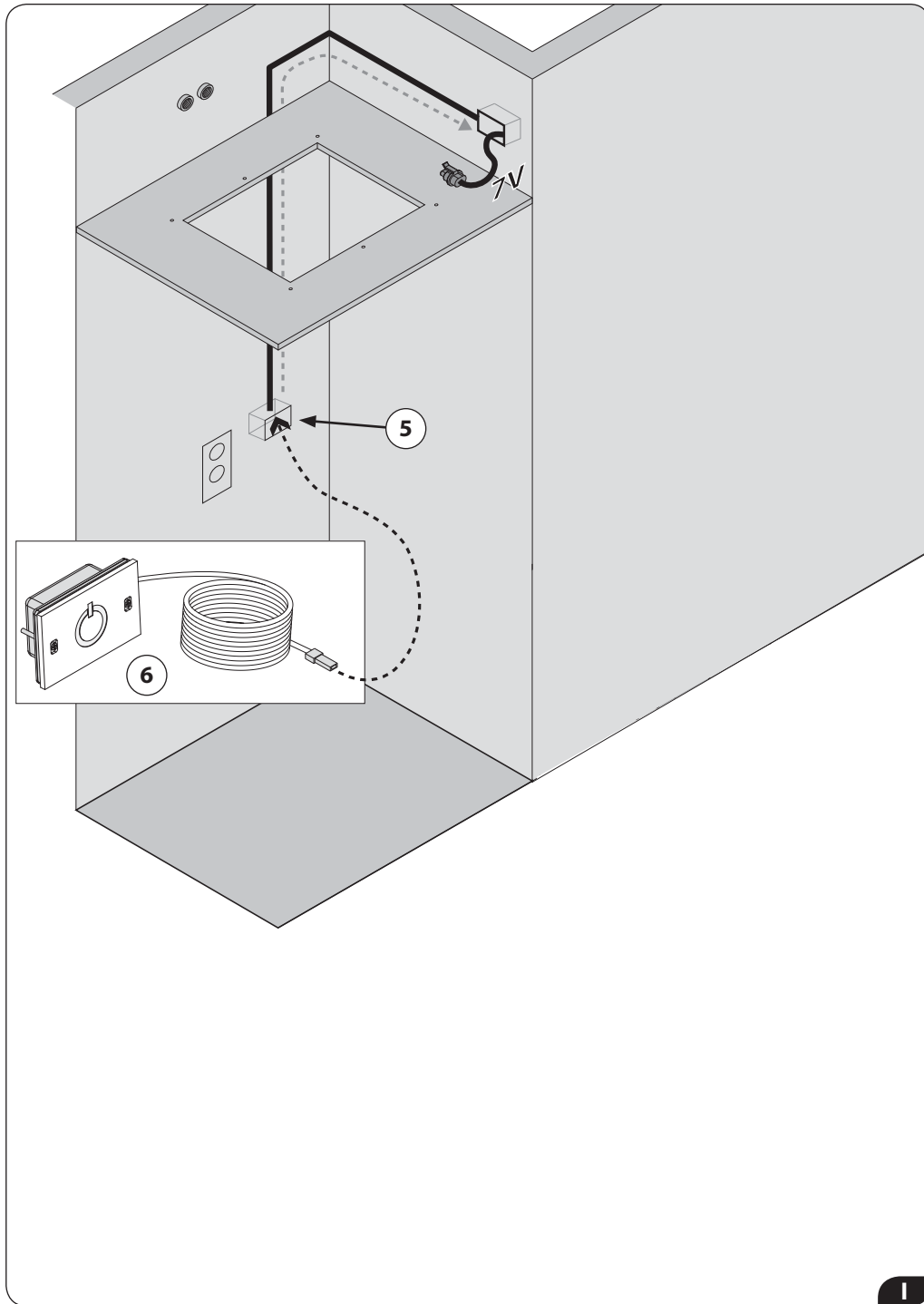
**GB ELECTRICAL EQUIPMENT** *Technical specifications*

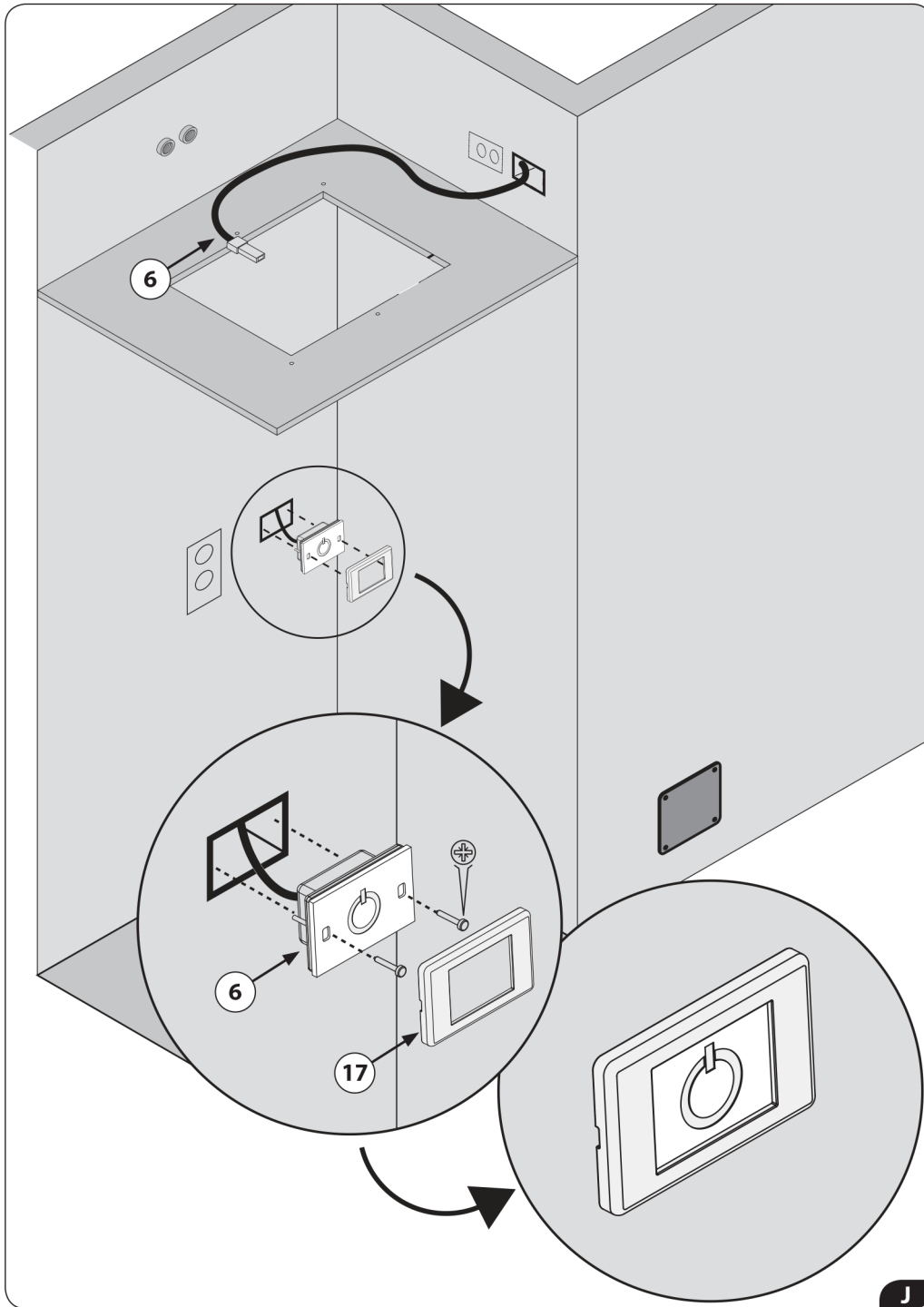
Electric connection	110VAC
Electric cable (supplied by customer)	 External cable diameter: max 8.5mm
Dream Rect. Lights 500x400 mm/570x470 mm	12 low voltage LEDs
Dream Rect. Lights 400x300 mm/470x470 mm	4 low voltage LEDs
Dream Cube Lights 400x400 mm/470x470 mm	10 low voltage LEDs
Dream Cube Lights 300x300 mm/370x370 mm	4 low voltage LEDs
Dream OKI Lights Ø 400 mm/Ø470 mm	8 low voltage LEDs
Dream OKI Lights Ø 300 mm/Ø370 mm	4 low voltage LEDs
Safety Transformer	110VAC to be installed outside the safety area (in compliance with standard DIN VDE 0100, part 107 – according to prescription CEI 64/8)
Grade of protection	
Safety mark	

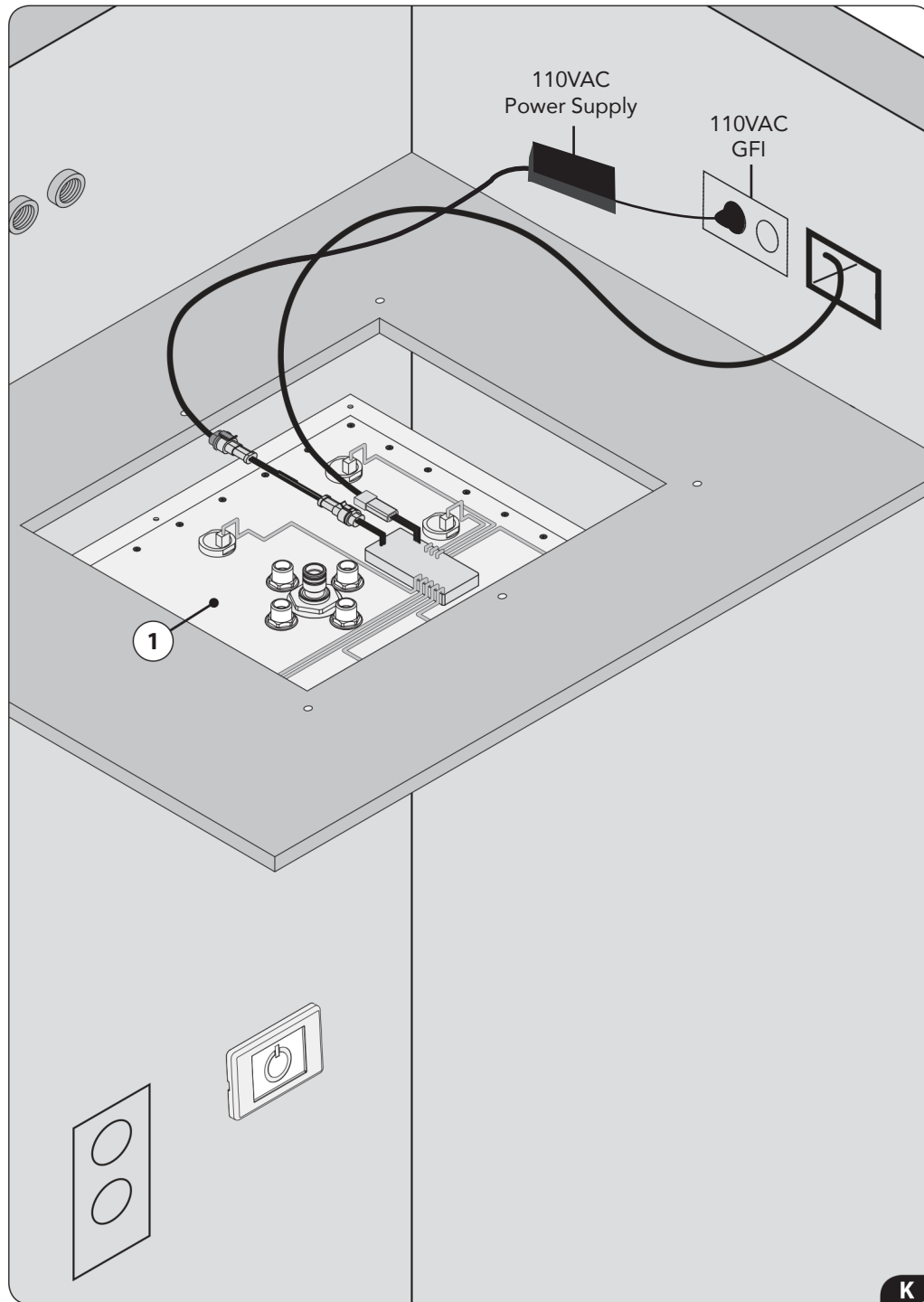
The electrical systems must be carried out by a qualified technician in accordance with the national and international laws in force.  
If no commands are sent to the system, a time-out function automatically shuts the system off after approx. 30 minutes.



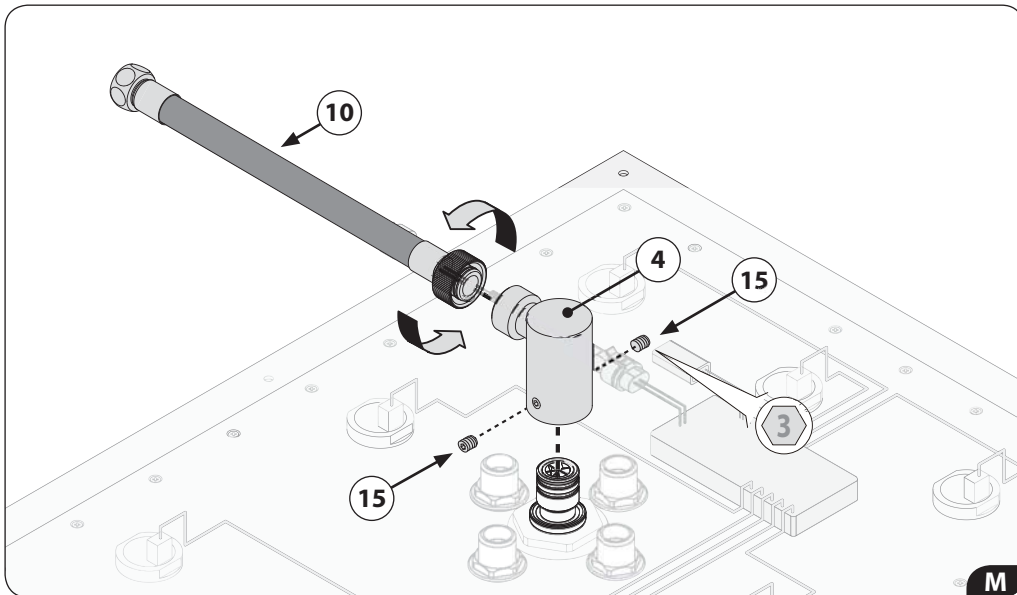
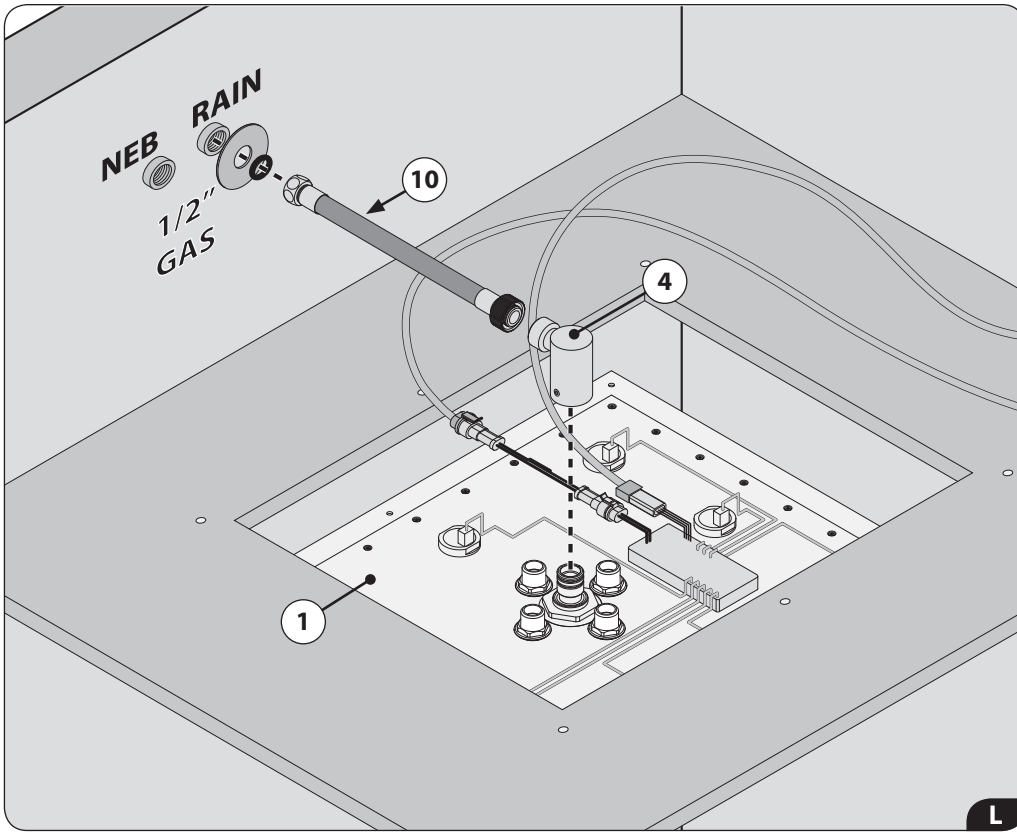


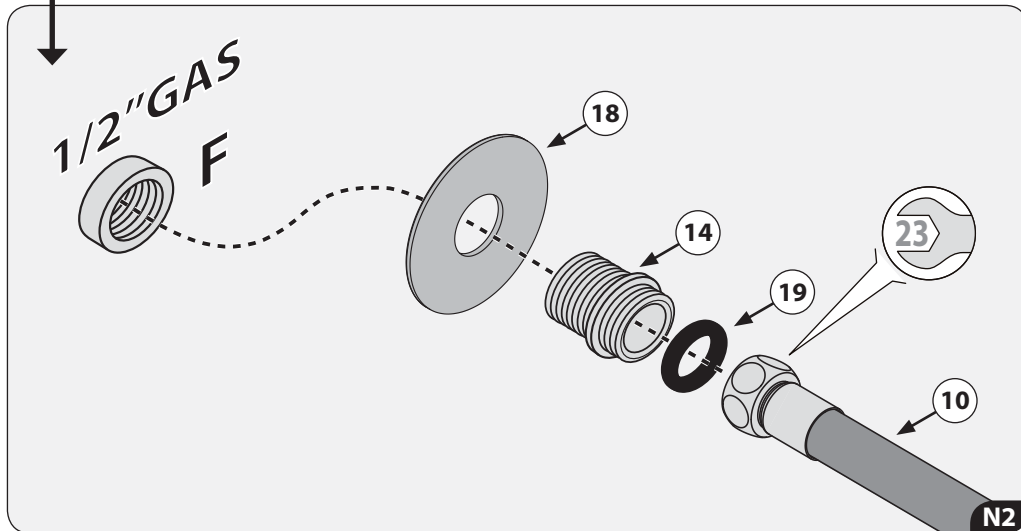
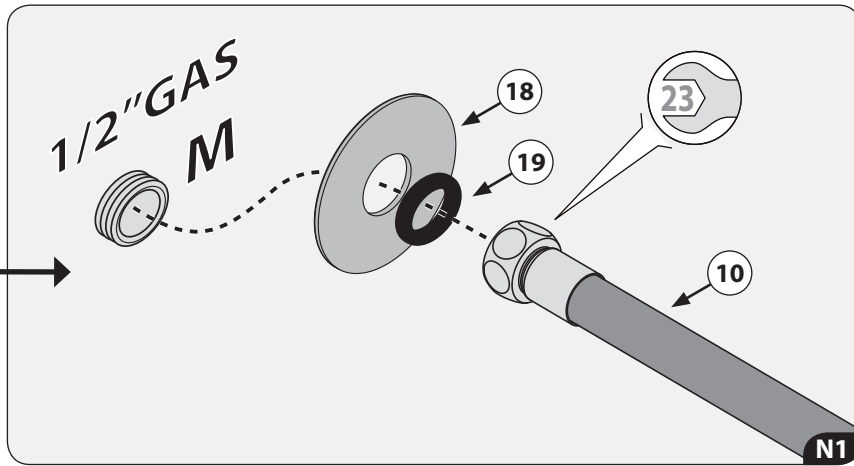
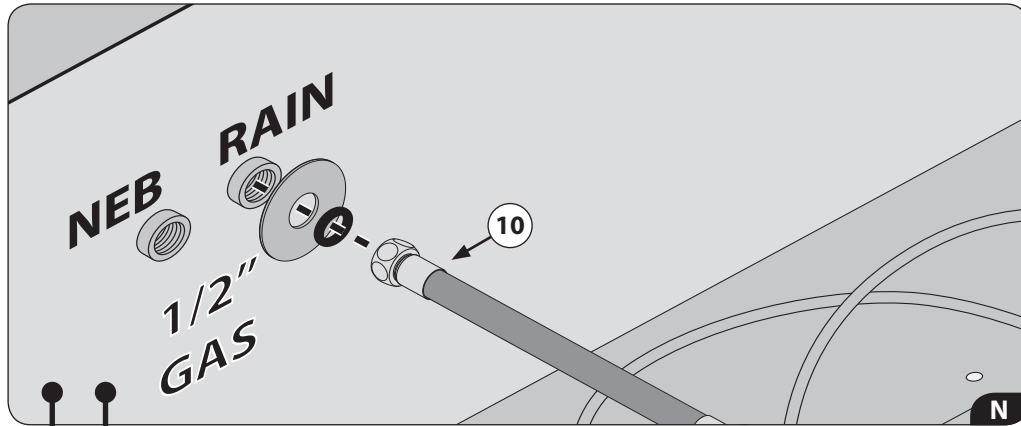


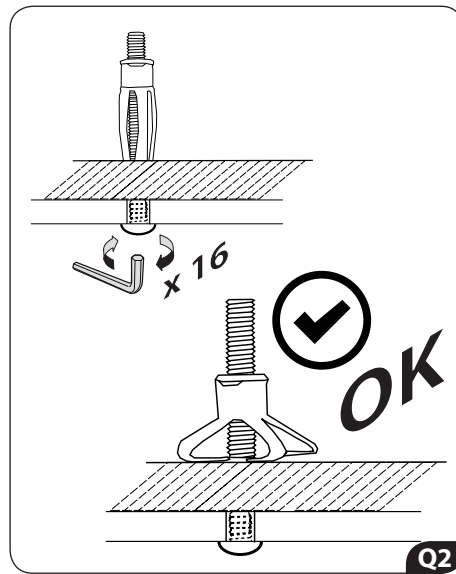
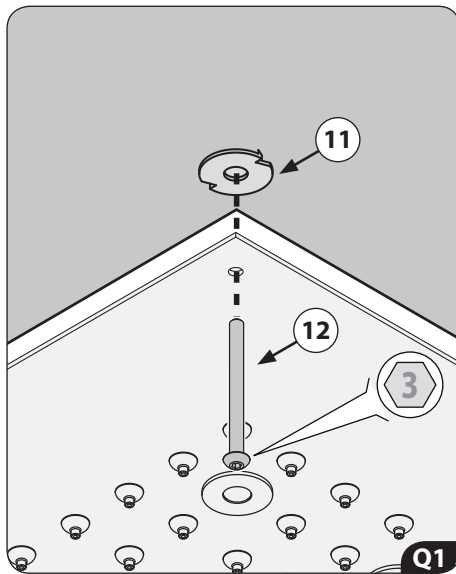
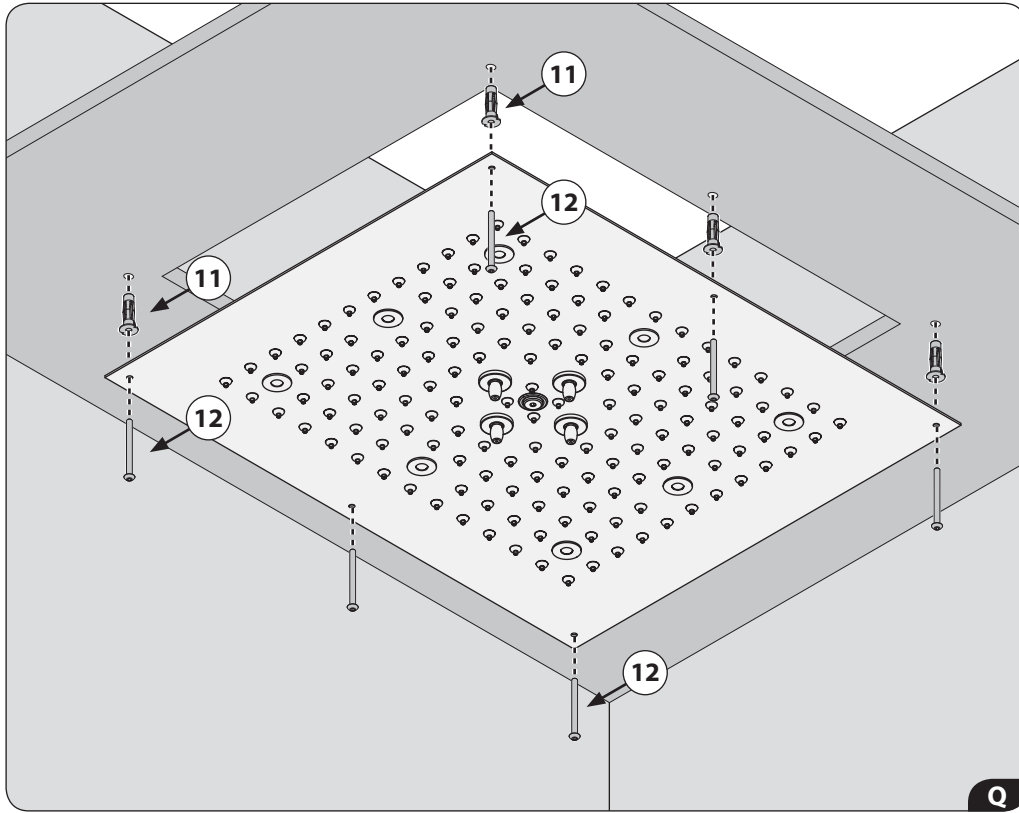












## HOW IT WORKS

The system can be set to come on automatically when water begins to flow through the showerhead or controlled manually using a control keypad.

### If set to automatic ›

as soon as the water begins to flow, the chromatherapy cycle will be activated automatically. It will switch off automatically when the flow of water to the showerhead stops.

### If set to manual control ›

it is possible to start a chromatherapy cycle even if no water is passing through the showerhead. You can also use the keypad to lock the chromatherapy cycle on any one of the eight colors. The lock will remain active until the system is switched off.

### When set to manual ›

the keypad controls the chromatherapy system as follows:  
press once to activate the cycle by changing the color. Press a second time to lock the color being displayed. Press a third time to switch the system off.

The system also allows you to use the keypad in a combination mode. For example, you can set the cycle to come on automatically with the flow of water and then lock a color using the keypad. Using the keypad will disable the automatic mode, and you will need to use the keypad from then on to control the system.

The time-out function ensures that the appliance switches itself off after around 30 minutes of no keypad activity when in manual mode.

## JACLO PRODUCT CARE

Thank you for selecting a JACLO product. In order to maintain the high quality finish of the product you have purchased, please adhere to the following product care instructions:

**Cleaning metal parts:** For routine cleaning simply use a soft damp cloth and common household soap, then rinse and dry. Proper care of your product is important because most water contains calcium that deposits on surfaces, forming unpleasant spots. This can be avoided by routine cleaning and drying after every use. Use only mild soap based detergents. **Never use abrasive cleaners, bleach, disinfectants or cleaning products containing alcohol, ammonia, hydrochloric or phosphoric acids as they will damage the product finish.**

**Cleaning rubber nibs:** Some JACLO showerheads and handshowers are equipped with "Easy Clean" rubber nibs. Over time calcium may build up in the nibs and diminish the performance of your shower product. Rubbing your fingers over the nibs occasionally while operating your shower product will clear the calcium build up.

**Please note:** Your product warranty may not be valid if the above cleaning guidelines are not followed.

## WARRANTY

Your new plumbing product is warranted by JACLO INDUSTRIES, 129 Dermody Street, Cranford, NJ 07016.

This warranty is extended to original consumer purchasers only. This warranty gives you specific legal rights, and you may also have other rights which vary from state to state.

The product (including the finish on the product but excluding any installation hardware not supplied by JACLO) is warranted to be free from defects in material or workmanship under normal use and service for the lifetime of the product, so long as the original consumer purchaser owns it. JACLO's sole obligation under this or any other warranty is limited to repairing or replacing, at JACLO's option, any part or parts of the product which fail to conform to such warranty. JACLO cannot warranty any living finish.

JACLO WILL NOT BE LIABLE FOR ANY CONSEQUENTIAL OR INCIDENTAL DAMAGES CAUSED BY A BREACH OF THIS WARRANTY.

Some states do not allow the exclusion or limitation of incidental or consequential damages, so the above limitation may not apply to you.

In order to secure warranty performance, the original consumer purchaser must (a) have the product properly installed in accordance with all installation instructions, (b) not subject the product to abuse, misuse or alter it in any way, and (c) remove the product and return it to JACLO, transportation prepaid, together with a brief description of the defect.

JACLO does not authorize any distributor, retailer or other person to modify this warranty or assume any liability on its behalf with respect to it. Any questions regarding the operation of warranty should be addressed to JACLO, Warranty Department.

Standard one year warranty applies to all commercial applications.