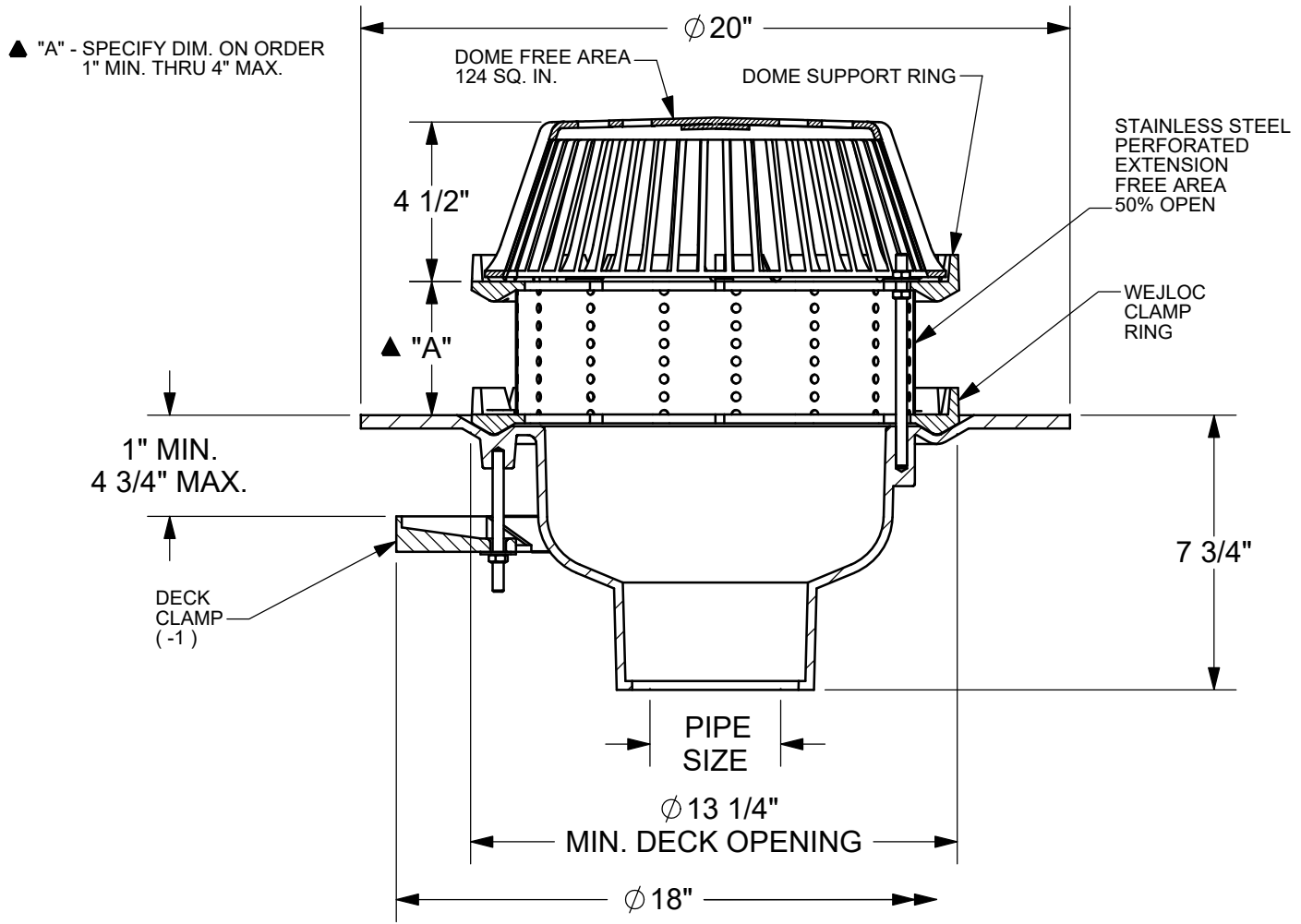


SPECIFICATION:

JOSAM 21500-IRMA-6 SERIES COATED CAST IRON ROOF DRAIN, LARGE POLYPROPYLENE LOCKING DOME, DOME SUPPORTING RING, PERFORATED STAINLESS STEEL EXTENSION FILTER, WEJLOC® NON-PUNCTURING CLAMP RING WITH INTEGRAL GRAVEL STOP, LARGE SUMP WITH EXTRA-WIDE ROOF FLANGE AND BOTTOM OUTLET INSIDE CAULK CONNECTION.

ROOF DRAIN
WITH PERF. STAINLESS EXTENSION

SERIES 21500-IRMA-6



** -10 EXTENSION 4" STANDARD

* -16 & -17 CANNOT BE FURNISHED TOGETHER

		2"	PIPE SIZE			-17*	2" HIGH SOLID CLAMPING COLLAR
		3"	PIPE SIZE			-19	CLAMP COLLAR W/PERF. STAINLESS GRAVEL GUARD
		4"	PIPE SIZE			-20	GALVANIZED CAST IRON PARTS
		5"	PIPE SIZE			-22	CAST IRON DOME ONLY
		6"	PIPE SIZE			-22-21	GALVANIZED CAST IRON DOME ONLY
						-23	ROUGH BRONZE DOME
X		-X	INSIDE CAULK OUTLET			-26	ALUMINUM DOME
X		-IRMA	PERFORATED STAINLESS STEEL EXTENSION			-33	STAINLESS STEEL MESH-COVERED DOME
						-66	NO-HUB SIDE OUTLET
		-1	DECK CLAMP ASSEMBLY			-VP	VANDAL-PROOF DOME
X		-6	EXTRA WIDE FLANGE DRAIN BODY				
		-10	FIXED EXT. COLLAR, CAST IRON (SPECIFY HEIGHT **)				
		-10-20	FIXED EXT. COLLAR, GALVANIZED (SPECIFY HEIGHT **)				
		-16*	INTERNAL WATERGUARD				

DATE OF LAST CHANGE: 03/09/20

DIMENSIONS ARE SUBJECT TO MANUFACTURERS TOLERANCES AND CHANGE WITHOUT NOTICE. WE CAN ASSUME NO RESPONSIBILITY FOR USE OF SUPERSEDED OR VOID DATA.



MICHIGAN CITY, INDIANA

NOTES

WARNING: Cancer and Reproductive Harm - www.P65Warnings.ca.gov