

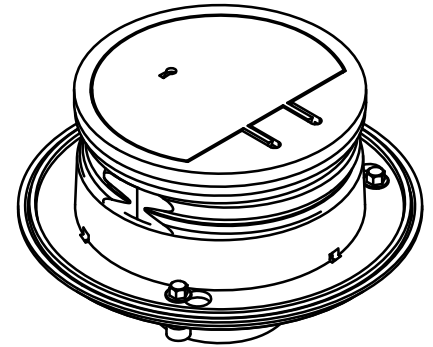
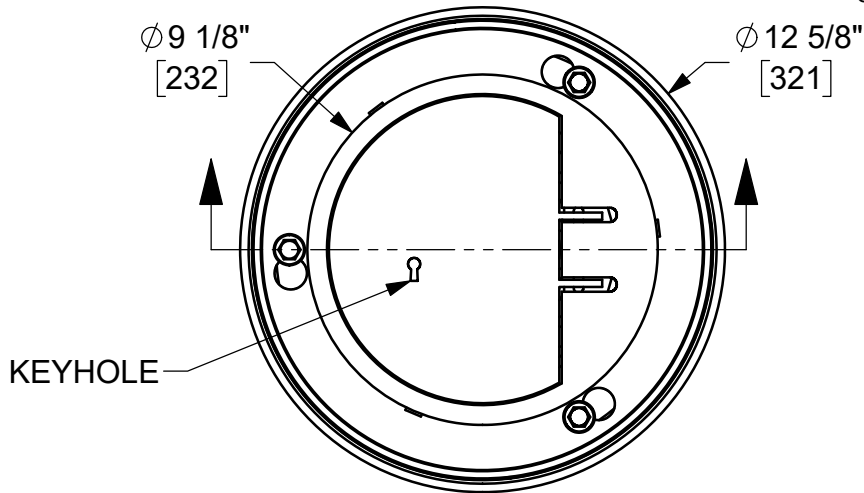
SPECIFICATION:

JOSAM 32100-AE-LC1-88 SERIES COATED CAST IRON FLOOR DRAIN, TWO-PIECE BODY WITH DOUBLE DRAINAGE FLANGE, WEJLOC® NON-PUNCTURING FLASHING COLLAR, WEEPHOLES, BOTTOM OUTLET, ROUND SATIN NIKALOY HINGED KEY-LOCKING COVER, ADJUSTABLE COLLAR AND INTERNAL STRAINER.

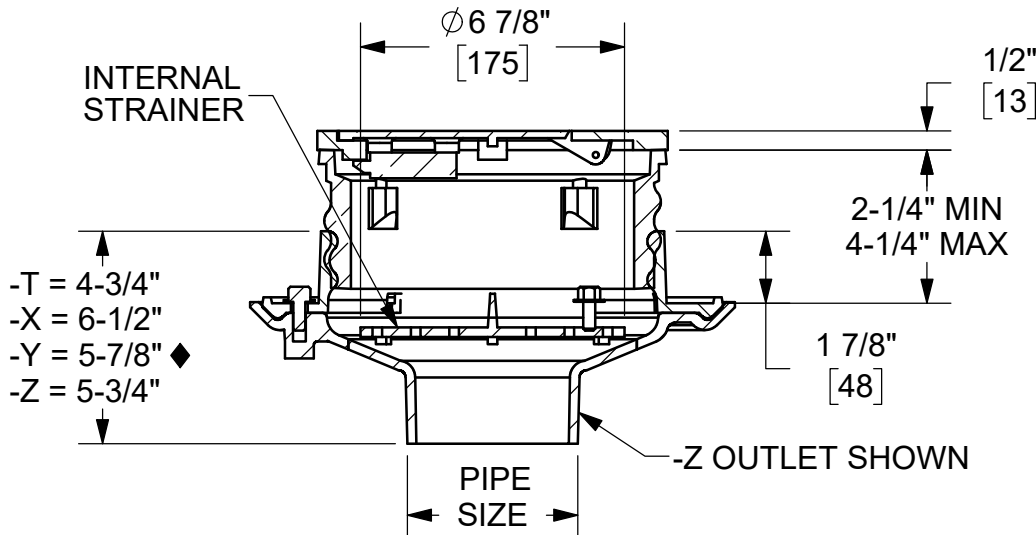
FLOOR DRAIN
9" ROUND TOP, LOCKING COVER

SERIES **32100-AE-LC1-88**

32100-AE-LC1-88 FORMERLY 39000 SERIES
32100-AE-LC2-88 FORMERLY 39000-2 SERIES



◆ GASKET CONFORMS WITH ASTM-C564



	2"	PIPE SIZE		-39	SOLID CAST IRON COVER
	3"	PIPE SIZE		-VP	SECURED GRATE, VANDAL-PROOF SCREWS
	4"	PIPE SIZE		-ARE	ACID-RESISTING EPOXY
X	-AE	LEVELEZE® ADJUSTABLE EXTENSION		-44	FIXED EXTENSION COLLAR, CAST IRON (SPEC. HT.) 2" STD.
	-81	SLOTTED CAST IRON BUCKET		-44-92	FIXED EXTENSION COLLAR, GALVANIZED (SPEC. HT.) 2" STD.
	-TG	TRACTOR GRATE		-49	3/4" PRIMER TAP
X	-LC1	LOCKING COVER, SATIN FINISH NIKALOY		-50	1/2" PRIMER TAP
	-LC2	LOCKING COVER, SATIN FINISH BRONZE		-84	STAINLESS STEEL MESH BUCKET LINER
	-1	SATIN FINISH NIKALOY TOP	X	-88	SUPPLEMENTARY STRAINER
	-2	SATIN FINISH BRONZE TOP		-92	GALVANIZED CAST IRON PARTS
	-7	DUCTILE IRON GRATE		-66	NO-HUB SIDE OUTLET
	-11	EXTRA-HEAVY GRATE, CAST IRON			
	-13	DOME GRATE, CAST IRON		-T	THREADED OUTLET
	-13-1	DOME GRATE, NIKALOY		-X	INSIDE CAULK OUTLET
	-13-2	DOME GRATE, BRONZE		-Y	HUB OUTLET WITH GASKET
	-15	CHAINED GRATE		-Z	NO-HUB OUTLET

DATE OF LAST CHANGE: 07/23/18

DIMENSIONS ARE SUBJECT TO MANUFACTURERS TOLERANCES AND CHANGE WITHOUT NOTICE. WE CAN ASSUME NO RESPONSIBILITY FOR USE OF SUPERSEDED OR VOID DATA.



MICHIGAN CITY, INDIANA

NOTES

WARNING: Cancer and Reproductive Harm - www.P65Warnings.ca.gov