

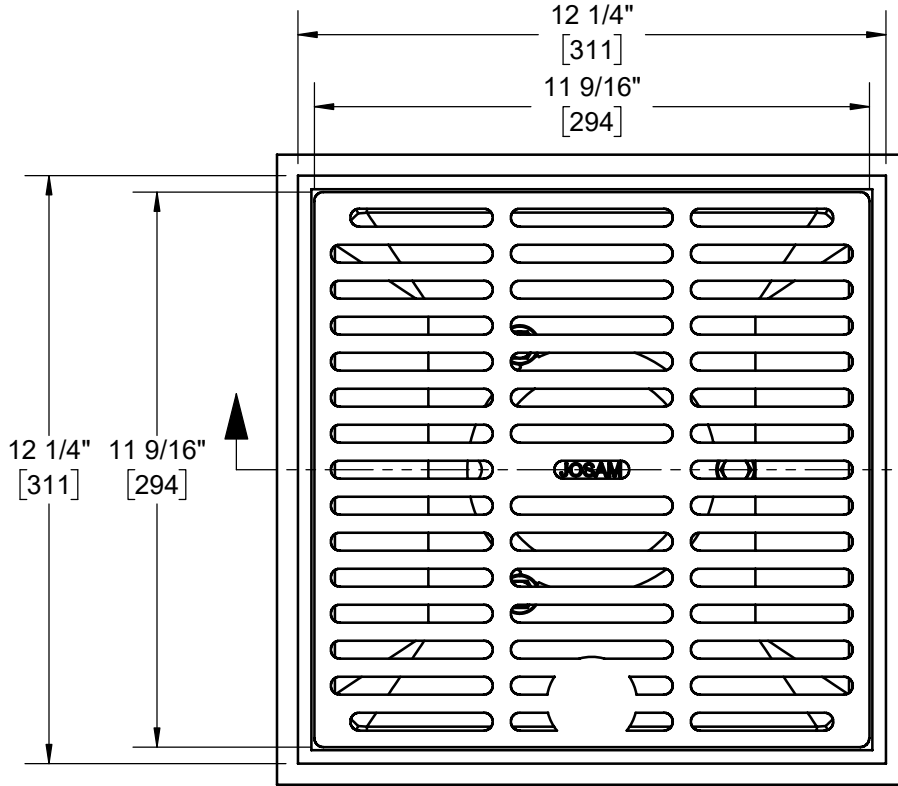
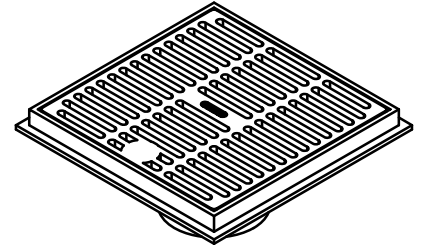
SPECIFICATION:

JOSAM 37800 SERIES COATED CAST IRON FLOOR DRAIN WITH FLASHING FLANGE AND 1/2" PRIMER TAP WITH PLUG, SHALLOW BODY, WEJLOC® NON-PUNCTURING FLASHING COLLAR, WEEPHOLES, BOTTOM OUTLET CONNECTION, SQUARE TOP AND HEAVY-DUTY LOOSE-SET GRATE.

FLOOR DRAIN
12" HEAVY-DUTY TOP,
SHALLOW SUMP

SERIES **37800**

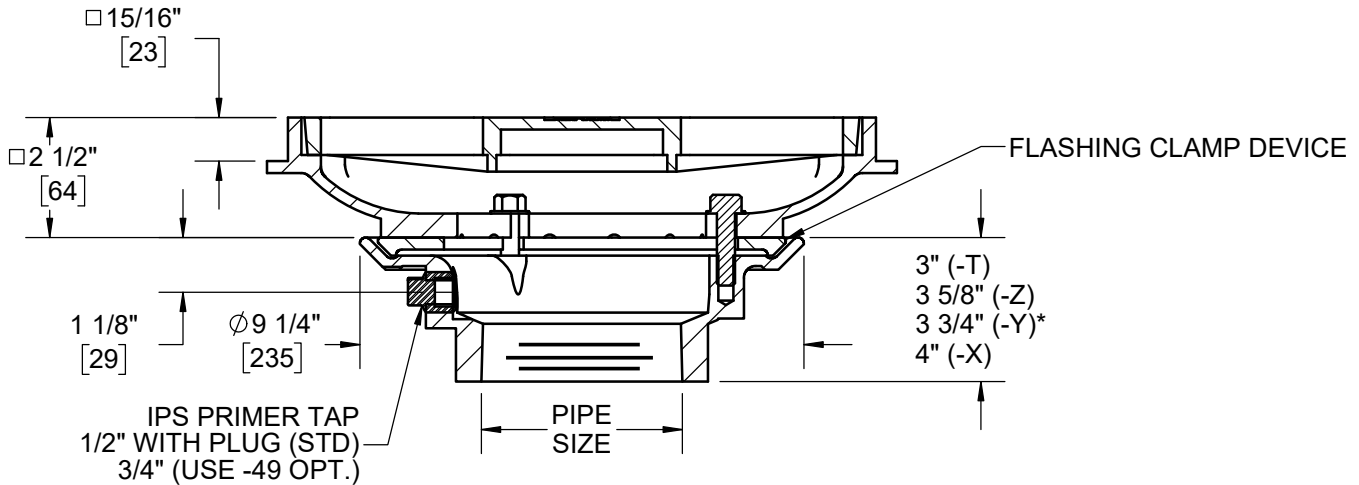
GRATE FREE AREA: 52 IN²
 STD. CAST IRON SLOT WIDTH: 3/8" (ADA)
 -19 AND -20 SLOT WIDTH 3/8" (ADA)



PIPE SIZE	
	2"
	3"
	4"

□ ADD 1/4" WHEN FURNISHED WITH NIKALOY OR BRONZE TOP

*GASKET ON -Y CONNECTION CONFORMS WITH ASTM-C564



-7	DUCTILE IRON GRATE
-14	HINGED GRATE
-18	HINGED GRATE WITH LATCHING DEVICE
-19	HEAVY-DUTY UNDERGRATE, SATIN FINISH NIKALOY TOP
-20	HEAVY-DUTY UNDERGRATE, SATIN FINISH BRONZE TOP
-49	3/4" PRIMER TAP
-VP	SECURED GRATE, VANDAL-PROOF SCREWS

-66	NO-HUB SIDE OUTLET
-92	GALVANIZED CAST IRON PARTS
-TSI	TRAP SEAL INSERT
-T	THREADED OUTLET
-X	INSIDE CAULK OUTLET
-Y	HUB-OUTLET WITH GASKET
-Z	NO-HUB SPIGOT OUTLET

WARNING: Cancer and Reproductive Harm - www.P65Warnings.ca.gov

DATE OF LAST CHANGE: 03/12/19

DIMENSIONS ARE SUBJECT TO MANUFACTURERS TOLERANCES AND CHANGE WITHOUT NOTICE. WE CAN ASSUME NO RESPONSIBILITY FOR USE OF SUPERSEDED OR VOID DATA.



MICHIGAN CITY, INDIANA

NOTES