

**SPECIFICATION:**

JOSAM 37820 SERIES COATED CAST IRON FLOOR DRAIN WITH TWO-PIECE DEEP BODY WITH DOUBLE DRAINAGE FLANGE, NON-PUNCTURING FLASHING FRAME, WEEPHOLES, BOTTOM OUTLET, SQUARE TOP, HEAVY-DUTY LOOSE SET GRATE AND REMOVABLE SEDIMENT BUCKET.

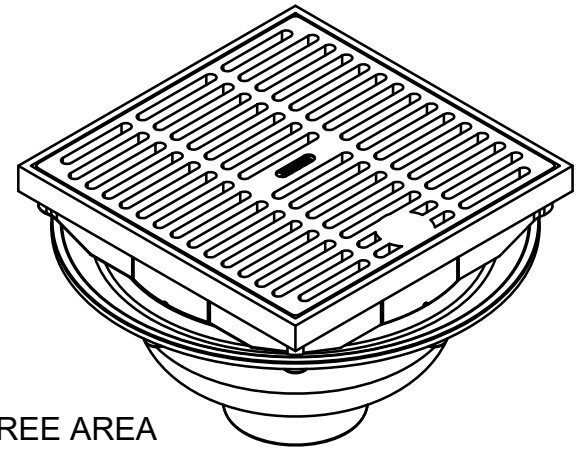
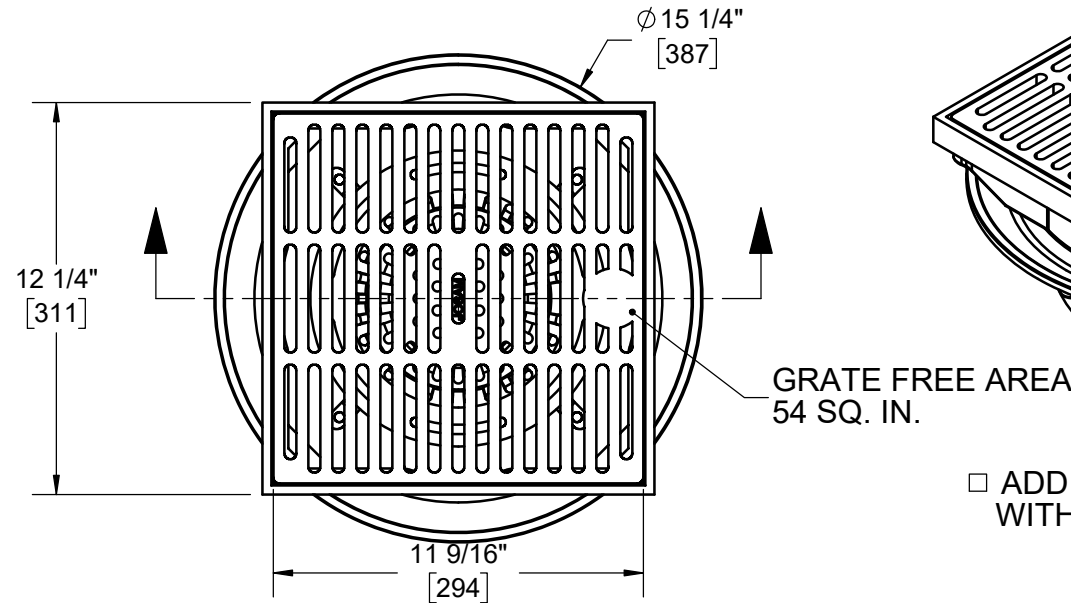
**FLOOR DRAIN**

12" HEAVY-DUTY TOP, DEEP SUMP

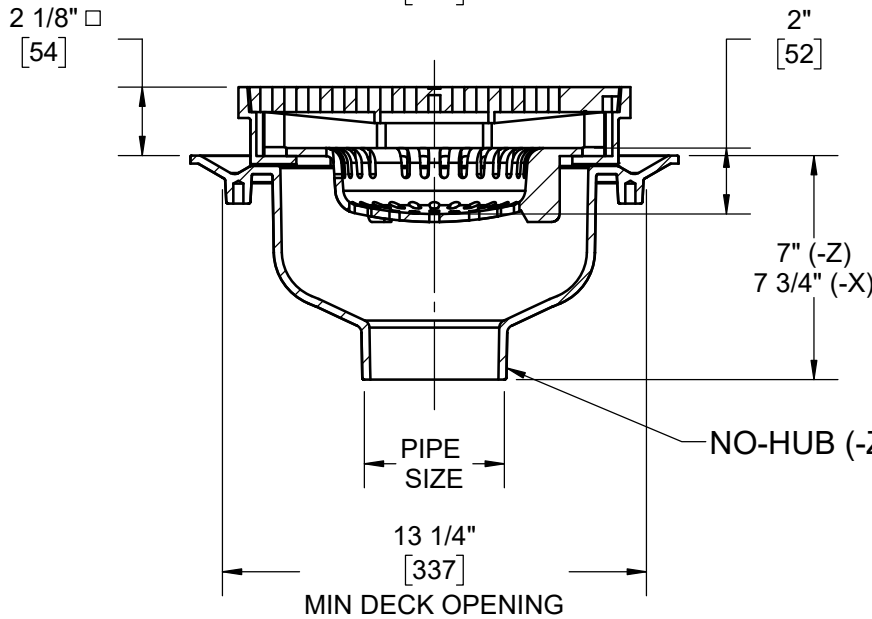
SERIES

**37820**

SLOT WIDTH 3/8" (-19 & -20 SLOT WIDTH 3/8") (ADA)



□ ADD 1/4" WHEN FURNISHED WITH NIKALOY OR BRONZE TOP



PIPE SIZE
2"
3"
4"
5"
6"
8"

WARNING: Cancer and Reproductive Harm - www.P65Warnings.ca.gov

-AE	THREADED LEVELZE ADJ. EXT.	-50	1/2" PRIMER TAP
-4	SECONDARY FLASHING CLAMP (-AE ONLY)	-66	NO-HUB SIDE OUTLET (2"-6" SIZES ONLY)
-7	DUCTILE IRON GRATE	-70	LESS BUCKET
-14	HINGED GRATE	-84	STAINLESS STEEL MESH BUCKET LINER
-VP	SECURED GRATE, VANDAL-PROOF SCREWS	-88	SUPPLIMENTARY STRAINER
-18	HINGED GRATE WITH LATCHING DEVICE	-92	GALVANIZED CAST IRON PARTS
-19	HEAVY-DUTY UNDERGRATE, SATIN FINISH NIKALOY TOP	-ARE	ACID RESISTING EPOXY
-20	HEAVY-DUTY UNDERGRATE, SATIN FINISH BRONZE TOP	-TSI	TRAP SEAL INSERT (2"-4")
-39	SOLID CAST IRON COVER	-X	INSIDE CAULK OUTLET
-49	3/4" PRIMER TAP	-Z	NO-HUB SPIGOT OUTLET

DATE OF LAST CHANGE: 03/12/19

DIMENSIONS ARE SUBJECT TO MANUFACTURERS TOLERANCES AND CHANGE WITHOUT NOTICE. WE CAN ASSUME NO RESPONSIBILITY FOR USE OF SUPERSEDED OR VOID DATA.

**JOSAM**

MICHIGAN CITY, INDIANA

NOTES