

SPECIFICATION:

JOSAM 39720 SERIES COATED CAST IRON AREA DRAIN WITH COMPOSITION DECK FLANGE, BOTTOM OUTLET, 11" ROUND TOP, HEAVY-DUTY LOOSE-SET GRATE AND REMOVABLE SEDIMENT BUCKET

FLOOR DRAIN

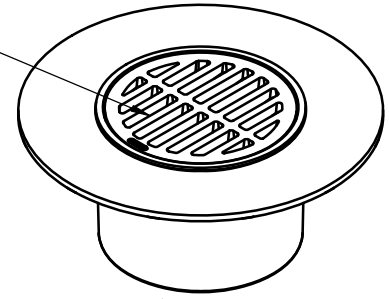
11" TOP COMPOSITION DECK FLANGE

SERIES

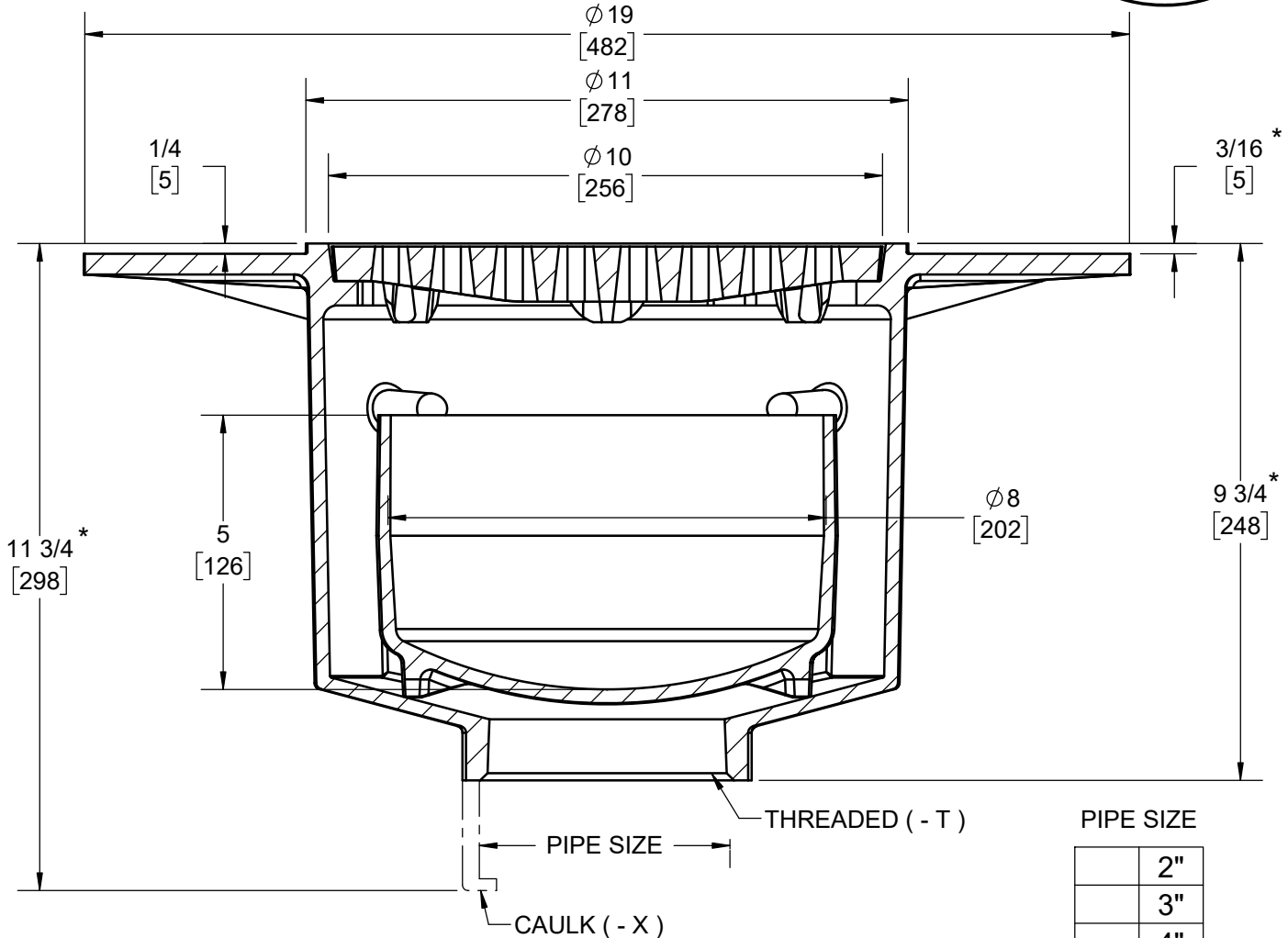
39720

SLOT WIDTH 5/8"
-1 & -2 SLOT WIDTH 1/2" (ADA)

GRATE FREE AREA
28.5 SQ. IN.



* ADD 1/4" WHEN FURNISHED W/ NIKALOY OR BRONZE TOP



-1	SATIN FINISH NIKALOY TOP	-15	CHAINED GRATE
-2	SATIN FINISH BRONZE TOP	-VP	SECURED GRATE, VANDAL-PROOF SCREWS
-7	DUCTILE IRON GRATE	-70	LESS BRACKET
-13	DOME GRATE, CAST IRON	-92	GALVANIZED CAST IRON PARTS
-13-1	DOME GRATE, NIKALOY	-TSI	TRAP SEAL INSERT
-13-2	DOME GRATE, BRONZE	-T	THREADED OUTLET
		-X	INSIDE CAULK OUTLET

WARNING: Cancer and Reproductive Harm - www.P65Warnings.ca.gov

DATE OF LAST CHANGE: 03/13/19

DIMENSIONS ARE SUBJECT TO MANUFACTURERS TOLERANCES AND CHANGE WITHOUT NOTICE. WE CAN ASSUME NO RESPONSIBILITY FOR USE OF SUPERSEDED OR VOID DATA.



MICHIGAN CITY, INDIANA

NOTES