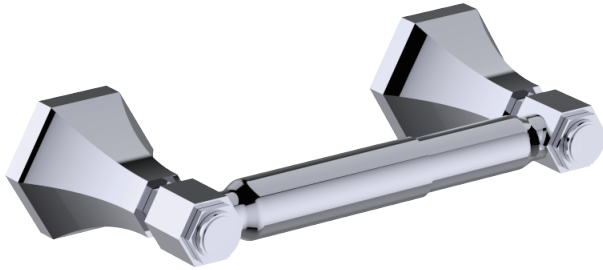


PISA COLLECTION DOUBLE POST TISSUE HOLDER 342158



PRODUCT NAME: DOUBLE POST
TISSUE HOLDER

PRODUCT CODE: 342158

MATERIAL: All-brass construction

KEY FEATURES: Contemporary design.
Round minimalist look.

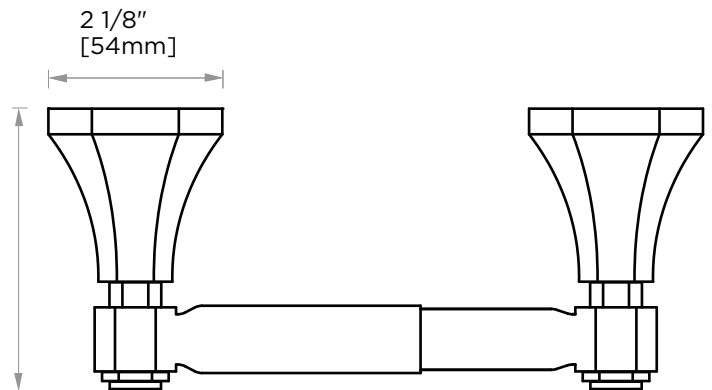
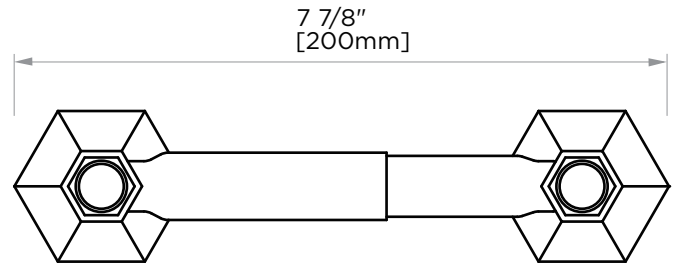
STOCKED FINISHES:

- Polished Chrome (99)
- Brushed Nickel (81)
- Polished Nickel (68)

SPECIAL FINISHES AVAILABLE: 26 options available.
Please see our website for full list samples

WARRANTY:

Lifetime Limited (Residential Use)
One Year (Commercial Use)



NOTE: Dimensions and specifications are subject to change without notice.