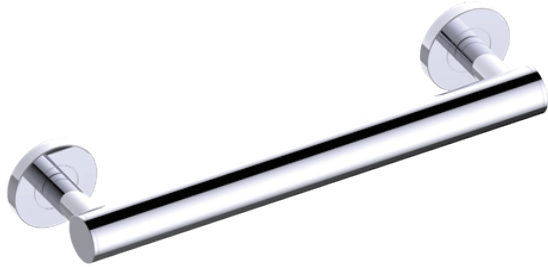




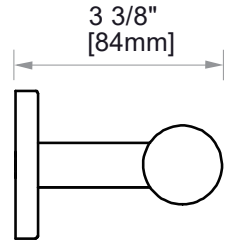
ADA Compliant



9100 SERIES

GRAB BAR 18"

8289118



PRODUCT NAME: GRAB BAR (1.25"/32MM)

SIZE: 18"

PRODUCT CODE: 8289118

MATERIAL: All-brass construction

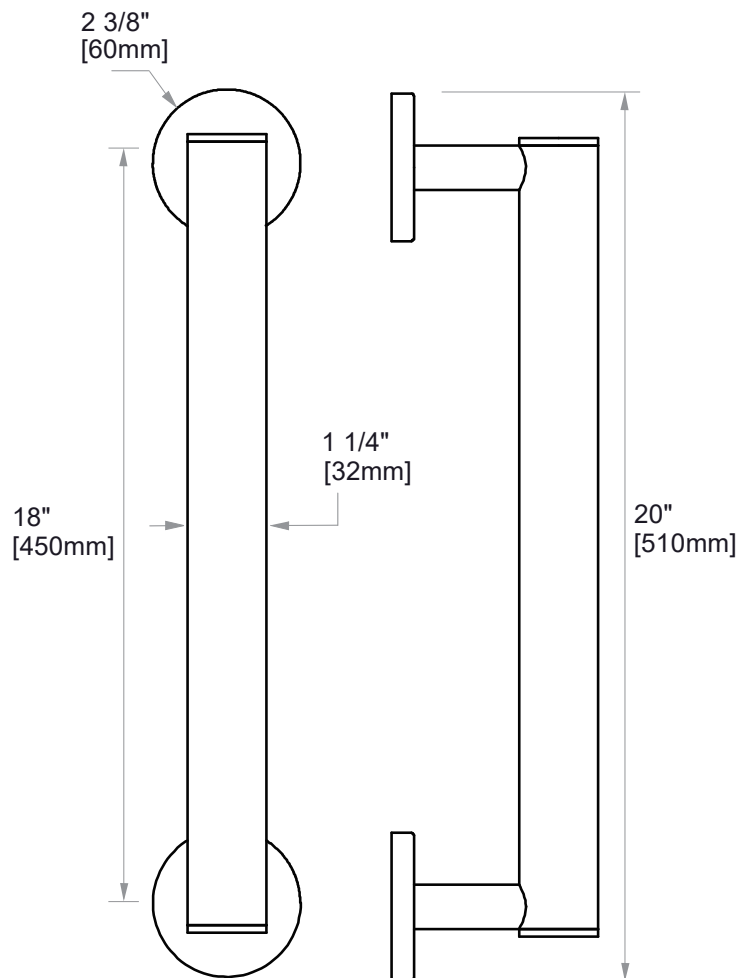
STOCKED FINISHES:

- Polished Chrome (99)
- Brushed Nickel (81)
- Polished Nickel (68)
- Brushed Brass (78)
- Brushed Gold (22)
- Brushed Bronze (25)

SPECIAL FINISHES AVAILABLE: Please see our website for full list samples

WARRANTY:

Lifetime Limited (Residential Use)
One Year (Commercial Use)



NOTE: Dimensions and specifications are subject to change without notice.