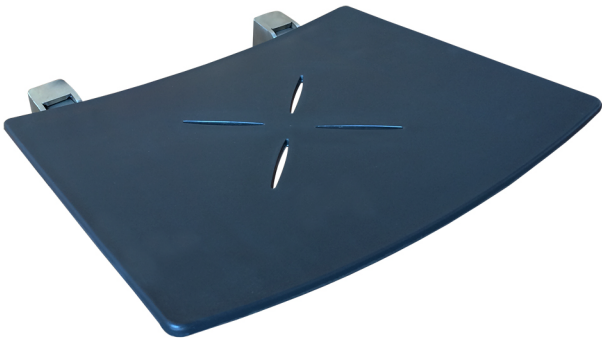




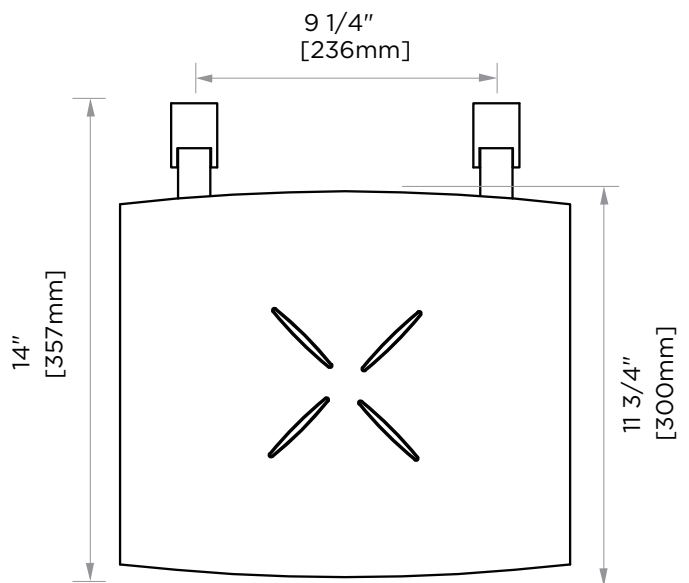
HOTEL COLLECTION SHOWER SEAT 8289200-GR



PRODUCT NAME: SHOWER SEAT

PRODUCT CODE: 8289200-GR

MATERIAL: Stainless Steel construction

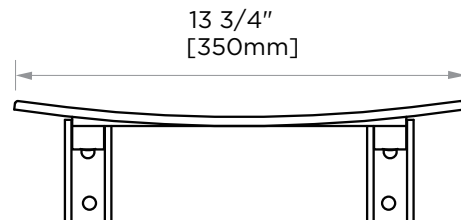


STOCKED FINISHES: White Grey

SPECIAL FINISHES AVAILABLE: 26 options available. Please see our website for full list samples

WARRANTY:

Lifetime Limited (Residential Use)
One Year (Commercial Use)



NOTE: Dimensions and specifications are subject to change without notice.