



ONCE UPON A TIME...WATER®

101621

Arm flange

**SPECIFICATIONS****Features**

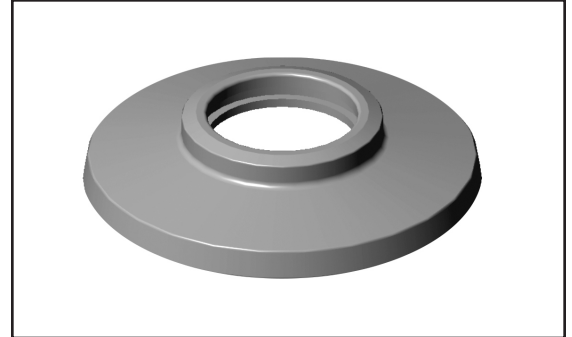
- Can receive an arm of 20.5 mm (3/4") Ø
- Adjustable flange

**Colors (Finishes)**

- Chrome : 101621-110

**Packaging**

- **Dimensions:** 60 mm x 60 mm x 55 mm  
(2 3/8" x 2 3/8" x 2 1/8")
- **Volume:** 0.0002 m<sup>3</sup> (0.0069 pi<sup>3</sup>)
- **Total weight:** 0.15 lb (0.06 kg)

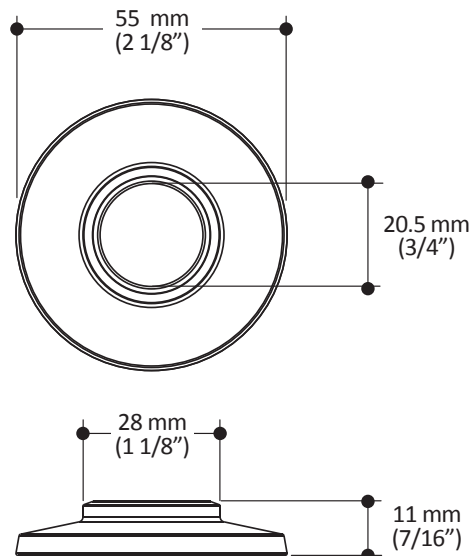
**Installation Notes**

This product must be installed following the installation instructions provided.

**WARRANTY**

Kalia Inc. guarantees all aspects of its products to be free of defects in material and workmanship for normal residential use. **Refer to the warranty included with the Kalia products for details.**

*Product dimensions:*



**Important:** Dimensions are approximated and are subject to changes. Please refer to the installation instructions.



ONCE UPON A TIME...WATER®

1355, 2<sup>e</sup> Rue, Parc industriel  
Sainte-Marie (Québec)  
Canada G6E 1G9

T 418-387-9090  
1-877-GO-KALIA (1-877-465-2542)  
F 418-87-9089

[KaliaStyle.com](http://KaliaStyle.com)

