



Kalia

ONCE UPON A TIME...WATER®

RUSTIK™

BF1513-110

STANDARD: TD2 Thermostatic Shower System

SPECIFICATIONS



Components included

- BF1507-110: Rainhead with 90° wall arm
- 103604-110: Handshower
- 103608-110: Solid brass wallbar
- 105007-110: 60" flexible metal hose
- BF1524-110: AQUATONIK™ type T/P 1/2" valve and decorative trim
- BF1528-110: 2-way 1/2" diverter and decorative trim (operates 1 or 2 components at a time)
- 102847-110: Wall outlet

Colors (Finishes)

- Chrome: BF1513-110

Certifications

The specified model meets or exceeds the following standards:



See the following sheets for the technical features of each component.

Installation Notes

This product must be installed following the installation instructions provided.

WARRANTY

Kalia Inc. guarantees all aspects of its products to be free of defects in material and workmanship for normal residential use. **Refer to the warranty included with the Kalia products for details.**



Kalia

ONCE UPON A TIME...WATER®

1355, 2nd Street, Industrial Park
Sainte-Marie (Québec)
Canada G6E 1G9

T 418-387-9090
1-877-GO-KALIA (1-877-465-2542)
F 418 387-9089

KaliaStyle.com





ONCE UPON A TIME...WATER®

RUSTIK^{MC}

BF1507 STANDARD: Rainhead with 90° Wall arm

SPECIFICATIONS

Features

- Male water inlet 1/2NPT
- Diameter: 225 mm (8 7/8")
- Anti-scale system with soft sprays
- Adjustable orientation swivel
- Solid brass construction rainhead

Colors (Finishes)

- Chrome : BF1507-110

Certifications

The specified model meets or exceeds the following standards;



Packaging

- **Dimensions:**
465 mm x 330 mm x 160 mm
(18 1/4" x 13" x 6 1/4")
- **Volume:** 0.02 cu m (0.87 cu ft)
- **Total weight:** 2.45 kg (5.4 lb)

Maximum flow rate

- 9.5 liters/min. (2.5 gallons/min.)
at 80 psi



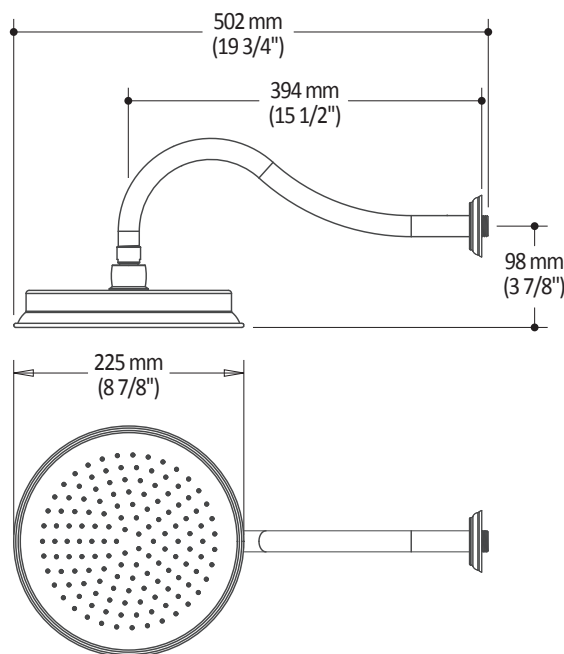
Installation Notes

This product must be installed following the installation instructions provided.

WARRANTY

Kalia Inc. guarantees all aspects of its products to be free of defects in material and workmanship for normal residential use. **Refer to the warranty included with the Kalia products for details.**

Product dimensions:



Important : Dimensions are approximated and are subject to changes. Please refer to the installation instructions.



ONCE UPON A TIME...WATER®

1355, 2nd Street, Industrial Park
Sainte-Marie (Québec)
Canada G6E 1G9

T 418-387-9090
1-877-GO-KALIA (1-87- 465-2542)
F 418 387-9089

KaliaStyle.com





ONCE UPON A TIME...WATER®

RUSTIK™

BF1529

STANDARD: Handshower, wallbar and 60" flexible solid brass hose assembly

SPECIFICATIONS

Features

Handshower (13604-110)

- Dimension: 83 mm (3 1/4")
- Water G1/2 male inlet
- Max. flow 9.5 L/min (2.5 gpm) to 80 psi
- Solid brass construction

Wallbar (103608-110)

- Total height of 650 mm (25 5/8")
- Locking system of 1/4 turn
- Solid brass construction

60" flexible solid brass hose (105007-110)

- 1/2 female connection

Color (Finish)

- Chrome : BF1529-110

Certifications

The specified model meets or exceeds the following standards;

ASME A112.18.1 / CSA B125.1



Packaging

- **Dimensions** : 832 mm x 152 mm x 89 mm (32 3/4" x 6" x 3 1/2")
- **Volume** : 0.40 cu ft (0.011 cu m)
- **Total weight**: 4.07 lb (1.85 kg)



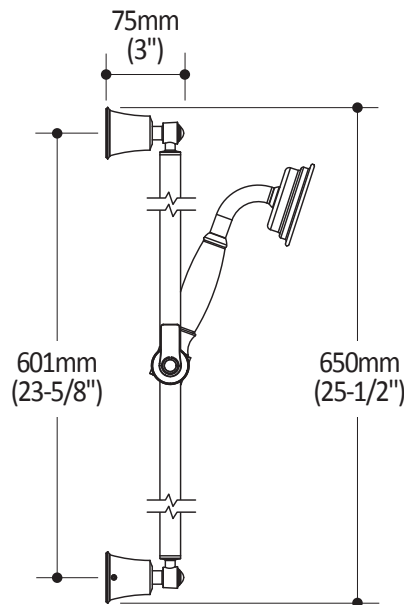
Installation Notes

This product must be installed following the installation instructions provided.

WARRANTY

Kalia inc. guarantees all aspects of its products to be free of defects in material and workmanship for normal residential use. **Refer to the warranty included with the Kalia products for details.**

Product dimensions:



Important : Dimensions are approximated and are subject to changes. Please refer to the installation instructions.



ONCE UPON A TIME...WATER®

1355, 2nd Street, Industrial Park
Sainte-Marie (Québec)
Canada G6E 1G9

T 418-387-9090
1-877-GO-KALIA (1-87- 465-2542)
F 418 387-9089

KaliaStyle.com





ONCE UPON A TIME...WATER®

RUSTIK™

BF1524

AQUATONIK™ type T/P 1/2" valve and decorative trim

SPÉCIFICATIONS

Features

- Solid brass construction
- No visible screw
- Integrated service stops with check valve
- Male water inlet 1/2NPT threaded or welded
- Can be installed back-to-back
- Total adjustment of 19 mm (3/4")

Colors (Finishes)

- Chrome : BF1524-110

Certifications

The specified model meets or exceeds the following standards;

- ASME A112.18.1 / CSA B125.1
- ICC A117.1



Packaging

- **Dimensions:** 370 mm x 190 mm x 205 mm (14 5/8 x 7 1/2 x 8 1/8)
- **Volume:** 0.014 cu m (0.51 cu ft)
- **Total weight:** 2.45 kg (5.4 lb)

Maximum flow rate

- 30 liters/min. (7.9 gallons/min.) at 60 psi



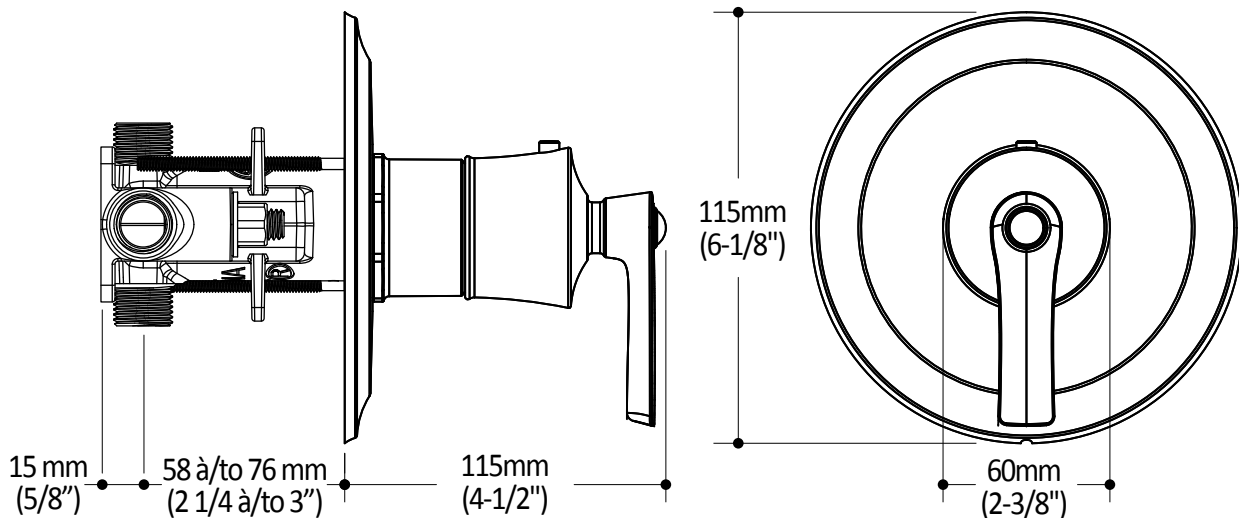
Installation Notes

This product must be installed following the installation instructions provided.

WARRANTY

Kalia Inc. guarantees all aspects of its products to be free of defects in material and workmanship for normal residential use. **Refer to the warranty included with the Kalia products for details.**

Product dimensions:



Important: Dimensions are approximated and are subject to changes. Please refer to the installation instructions.



ONCE UPON A TIME...WATER®

1355, 2^e Rue, Parc industriel
Sainte-Marie (Québec)
Canada G6E 1G9

T 418 387-9090
1 877 GO-KALIA (1 877 465-2542)
F 418 387-9089

KaliaStyle.com





ONCE UPON A TIME...WATER®

RUSTIK™

BF1528 2-way 1/2" diverter and decorative trim

SPECIFICATIONS

Features

- Solid brass construction
- No visible screw
- Male water inlet 1/2NPT threaded or welded
- Total adjustment of 19 mm (3/4")
- Support for better stability during installation included
- Operates 1 or 2 components at a time

Colors (Finishes)

- Chrome : BF1528-110

Certifications

The specified model meets or exceeds the following standards;



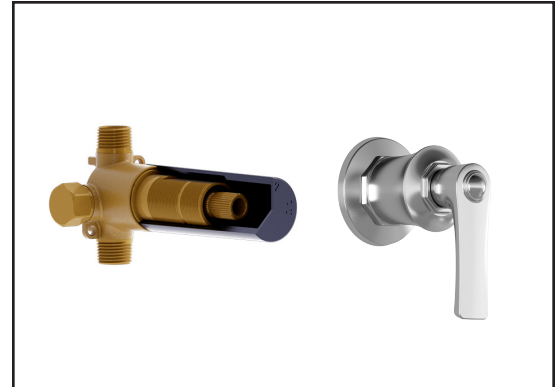
CSA B125.1
ASME A112.18.1
ICC A117.1

Packaging

- **Dimensions :**
315 mm x 125 mm x 115 mm
(12 3/8" x 4 7/8" x 4 1/2")
- **Volume:** 0.004 cu m (0.16 cu ft)
- **Total weight:** 1.15 kg (2.54 lb)

Maximum flow rate

- 1 outlet: 22 liters/min.
(5.8 gallons/min.) at 60 psi
- 2 outlets: 24 liters/min.
(6.4 gallons/min.) at 60 psi



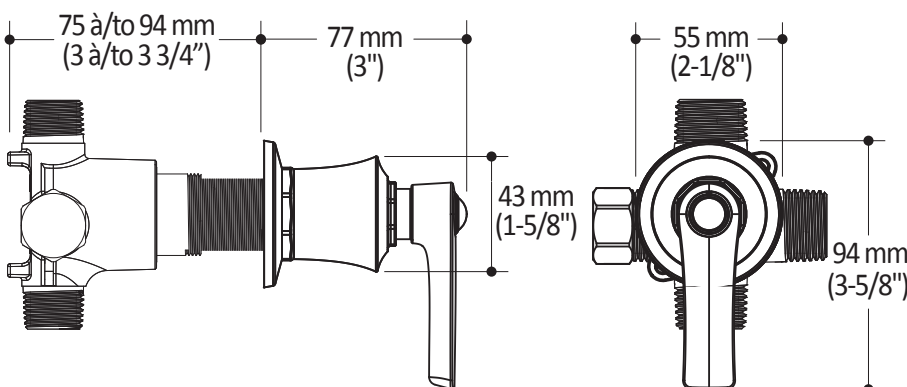
Installation Notes

This product must be installed following the installation instructions provided.

WARRANTY

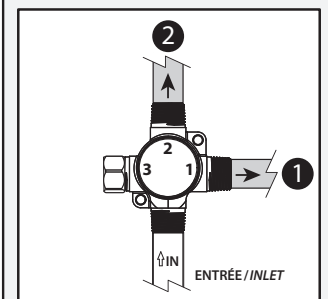
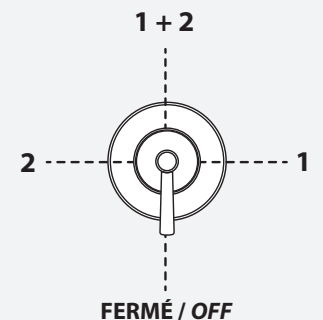
Kalia Inc. guarantees all aspects of its products to be free of defects in material and workmanship for normal residential use. **Refer to the warranty included with the Kalia products for details.**

Product dimensions:



Important: Dimensions are approximated and are subject to changes. Please refer to the installation instructions.

Configuration 2 voies 2-way configuration



ONCE UPON A TIME...WATER®

1355, 2nd Street, Industrial Park
Sainte-Marie (Québec)
Canada G6E 1G9

T 418-387-9090
1-877-GO-KALIA (1-877-465-2542)
F 418 387-9089

KaliaStyle.com





ONCE UPON A TIME...WATER®

102847 Wall Outlet

SPECIFICATIONS

Features

- Male or female water inlet 1/2NPT
- Male water outlet G1/2
- Solid brass construction
- PVD finish (Physical Vapour Deposit): A high technology process that protects the surface finish for increased durability

Colors (Finishes)

- Chrome: 102847-110
- Brushed Nickel PVD: 102847-120
- Matte Black: 102847-160

Certifications

The specified model meets or exceeds the following standards;



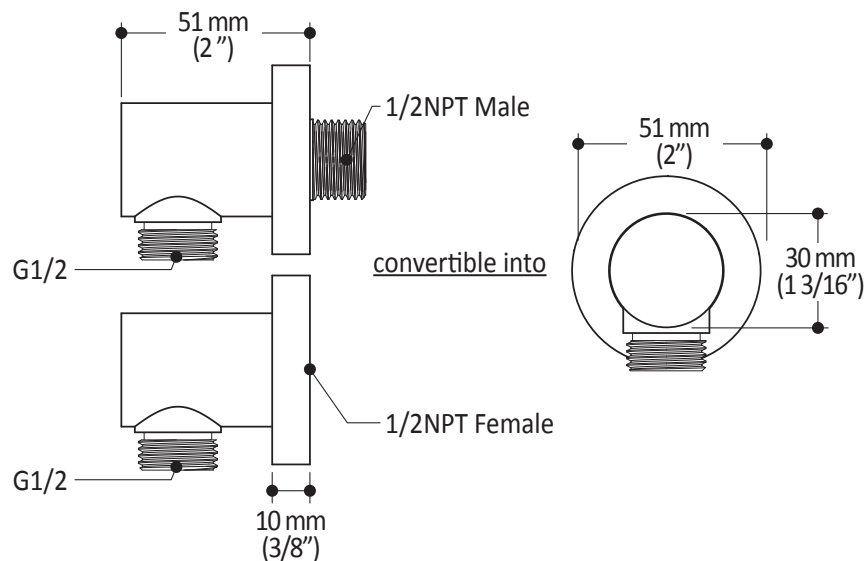
Installation Notes

This product must be installed following the installation instructions provided.

WARRANTY

Kalia Inc. guarantees all aspects of its products to be free of defects in material and workmanship for normal residential use. **Refer to the warranty included with the Kalia products for details.**

Product dimensions:



Important: Dimensions are approximated and are subject to changes. Please refer to the installation instructions.



ONCE UPON A TIME...WATER®

1355, 2nd Street, Industrial Park
Sainte-Marie (Québec)
Canada G6E 1G9

T 418-387-9090
1-877-GO-KALIA (1-87- 465-2542)
F 418 387-9089

KaliaStyle.com

