



# Kalia

ONCE UPON A TIME...WATER®

## ROUNDONE™

### BF2065-XXX-001

#### TB2 Thermostatic Shower System (without valve)

### SPECIFICATIONS



#### Components included

- 106835-XXX\*: Decorative trim for 2-way AQUATONIK™ type T/P 1/2" push-button valve (operates 1 or 2 components at a time)
- BF1634-XXX\*: Rainhead with vertical ceiling arm
- 104286-XXX\*: 2-jet handheld shower (2 direct functions and 1 shared function)
- 103577-XXX\*: Wallbar
- 101620-XXX\*: 60" flexible and soft PVC hose
- 106192-XXX\*: Wall outlet

*\*XXX means that the finish color must be specified.*

#### Colors (Finishes)

- Chrome: BF2064-110-001
- Matte Black: BF2064-160-001

*See the following sheets for the technical features of each component.*

#### Installation Notes

This product must be installed following the installation instructions provided.

#### WARRANTY

Kalia Inc. guarantees all aspects of its products to be free of defects in material and workmanship for normal residential use. **Refer to the warranty included with the Kalia products for details.**



# Kalia

ONCE UPON A TIME...WATER®

1355, 2<sup>nd</sup> Street, Industrial Park  
Sainte-Marie (Québec)  
Canada G6E 1G9

T 418-387-9090  
1-877-GO-KALIA (1-87-465-2542)  
F 418 387-9089

[KaliaStyle.com](http://KaliaStyle.com)



ONCE UPON A TIME...WATER®

**106835**

Decorative trim for 2-way AQUATONIK™ type T/P 1/2" push-button valve

**SPÉCIFICATIONS**

**Features**

- Low-profil design
- Horizontal or vertical installation
- Integrated adjustable high-temperature limit
- Extra buttons included for custom shower configurations

**Colors (Finishes)**

- Chrome: 106835-110
- Matte black: 106835-160



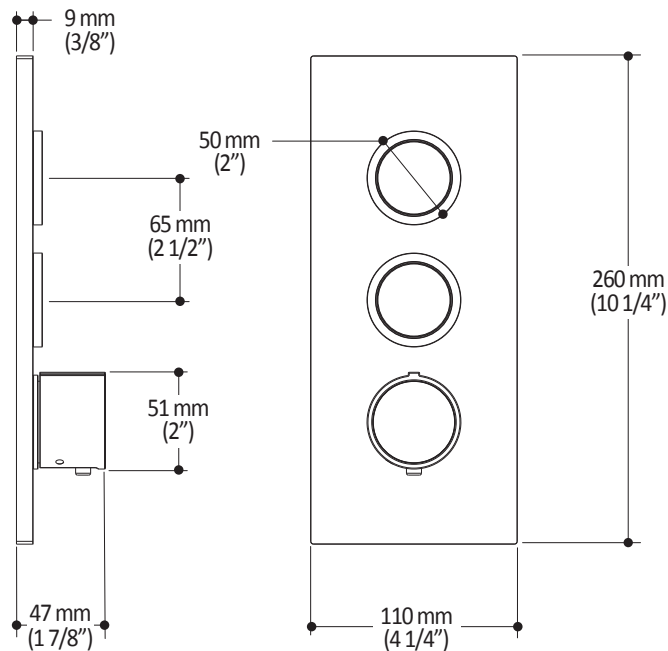
**Installation Notes**

This product must be installed following the installation instructions provided.

**WARRANTY**

Kalia Inc. guarantees all aspects of its products to be free of defects in material and workmanship for normal residential use. **Refer to the warranty included with the Kalia products for details.**

*Product dimensions:*



**Important:** Dimensions are approximated and are subject to changes. Please refer to the installation instructions.



ONCE UPON A TIME...WATER®

1355, 2<sup>nd</sup> Street, Industrial Park  
Sainte-Marie (Québec)  
Canada G6E 1G9

T 418-387-9090  
1-877-GO-KALIA (1-877-465-2542)  
F 418 387-9089

**KaliaStyle.com**



ONCE UPON A TIME...WATER®

# BF1634 Rainhead with Vertical Ceiling Arm

## SPÉCIFICATIONS

### Features

- Male water inlet 1/2NPT on wall arm
- Female water inlet G1/2 on rainhead
- Rainhead diameter of 220 mm (8 5/8")
- Anti-scale system with soft sprays
- Adjustable orientation swivel

### Colors (Finishes)

- Chrome: BF1634-110
- Matte Black: BF1634-160

### Maximum flow rate

- 7.6 L/min (2 gpm) at 80 psi

### Certifications

The specified model meets or exceeds the following standards;



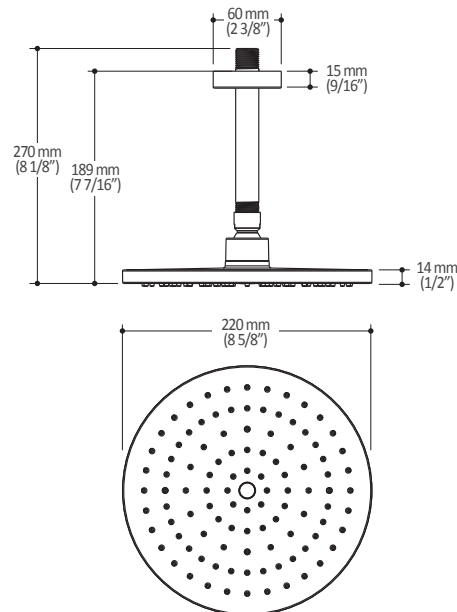
### Installation Notes

This product must be installed following the installation instructions provided.

### WARRANTY

Kalia Inc. guarantees all aspects of its products to be free of defects in material and workmanship for normal residential use. **Refer to the warranty included with the Kalia products for details.**

### Product dimensions:



**Important:** Dimensions are approximated and are subject to changes. Please refer to the installation instructions.



ONCE UPON A TIME...WATER®

1355, 2<sup>e</sup> Rue du Parc industriel  
Sainte-Marie (Québec)  
Canada G6E 1G9

T 418-387-9090  
1-877-GO-KALIA (1-877-465-2542)  
F 418 387-9089

[kaliastyle.com](http://kaliastyle.com)



ONCE UPON A TIME...WATER®

104286

2-jet handshower

**SPECIFICATIONS**

**Features**

- Dimension: 120 mm (4 3/4")
- Anti-scale system with soft sprays
- Male water inlet G1/2
- 2 direct functions and 1 shared function

**Colors (Finishes)**

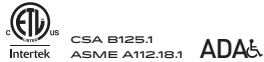
- Chrome: 104286-110
- Matte Black: 104286-160

**Maximum flow rate**

- 7.6 L/min. (2 gpm) at g0 psi

**Certifications**

The specified model meets or exceeds the following standards;



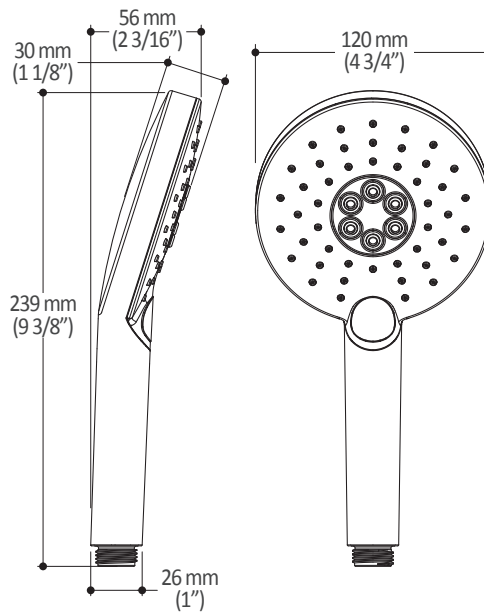
**Installation Notes**

This product must be installed following the installation instructions provided.

**WARRANTY**

Kalia Inc. guarantees all aspects of its products to be free of defects in material and workmanship for normal residential use. **Refer to the warranty included with the Kalia products for details.**

Product dimensions:



**Important :** Dimensions are approximated and are subject to changes. Please refer to the installation instructions.



ONCE UPON A TIME...WATER®

1355, 2<sup>nd</sup> Street, Industrial Park  
Sainte-Marie (Québec)  
Canada G6E 1G9

T 418-387-9090  
1-877-GO-KALIA (1-87- 465-2542)  
F 418 387-9089

**KaliaStyle.com**



# Kalia

ONCE UPON A TIME...WATER®

## 103577

### Wallbar for handshower

#### SPÉCIFICATIONS

#### Features

- Total height of 742 mm (30")
- Easy-to-use gliding system
- Locking system

#### Colors (Finishes)

- Chrome: 103577-110
- Matte Black: 103577-160



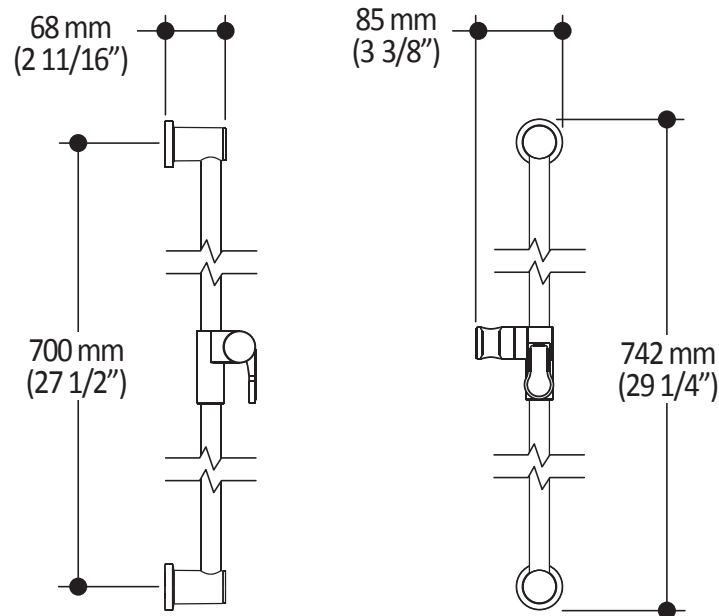
#### Installation Notes

This product must be installed following the installation instructions provided.

#### WARRANTY

Kalia Inc. guarantees all aspects of its products to be free of defects in material and workmanship for normal residential use. **Refer to the warranty included with the Kalia products for details.**

#### Product dimensions:



**Important :** Dimensions are approximated and are subject to changes. Please refer to the installation instructions.



# Kalia

ONCE UPON A TIME...WATER®

1355, 2<sup>nd</sup> Street, Industrial Park  
Sainte-Marie (Québec)  
Canada G6E 1G9

T 418-387-9090  
1-877-GO-KALIA (1-877-465-2542)  
F 418 387-9089

KaliaStyle.com





ONCE UPON A TIME...WATER®

# 106192 Wall Outlet

## SPECIFICATIONS

### Features

- Female water inlet 1/2NPT
- Male water outlet G1/2
- Connector adjustable in depth
- PVD finish (Physical Vapour Deposit): A high technology process that protects the surface finish for increased durability

### Colors (Finishes)

- Chrome: 106192-110
- Pure nickel PVD: 106192-125
- Matte black: 102847-160



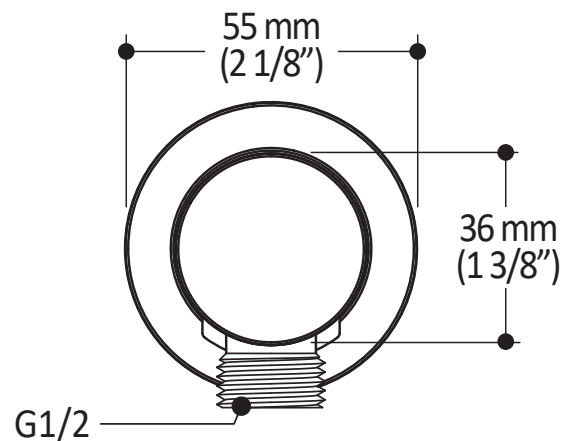
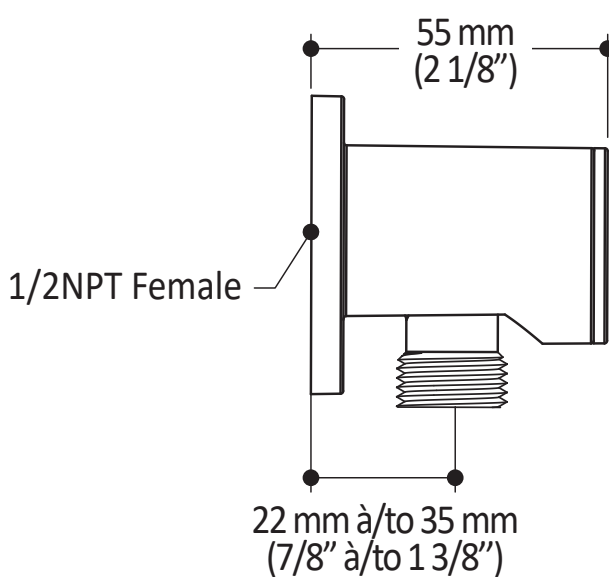
### Installation Notes

This product must be installed following the installation instructions provided.

### WARRANTY

Kalia Inc. guarantees all aspects of its products to be free of defects in material and workmanship for normal residential use. **Refer to the warranty included with the Kalia products for details.**

Product dimensions:



**Important:** Dimensions are approximated and are subject to changes. Please refer to the installation instructions.



ONCE UPON A TIME...WATER®

1355, 2<sup>nd</sup> Street, Industrial Park  
Sainte-Marie (Québec)  
Canada G6E 1G9

T 418-387-9090  
1-877-GO-KALIA (1-87- 465-2542)  
F 418 387-9089

KaliaStyle.com

