

SUBMITTAL SHEET

JOB NAME		ITEM TAG
JOB LOCATION		PART NUMBER
CONTRACTOR	DATE	
ENGINEER APPROVAL	DATE	

EXTRUDED HEAT TRANSFER PLATE

Duo Track

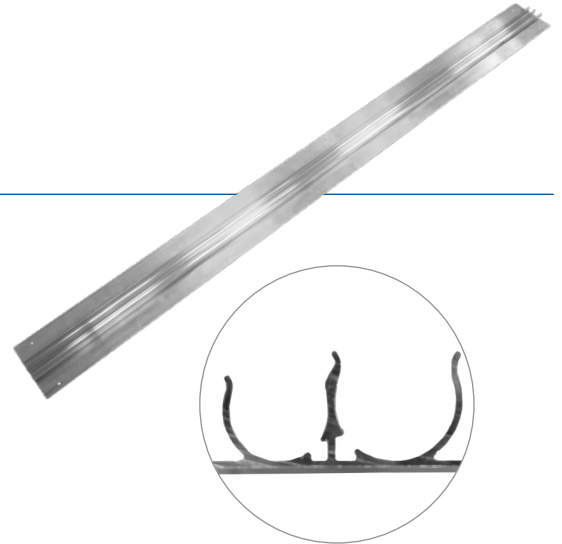
Patented dual track design allows for either 3/8" or 1/2" tubing.

Each panel is 48" long and has 8 pre-drilled mounting holes.

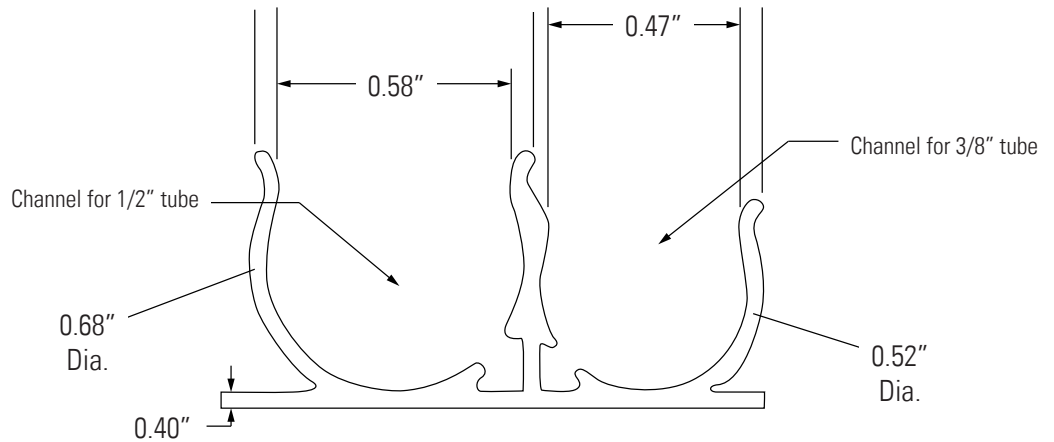
Designed to create high performance hydronic radiant heat systems for new and retro-fit projects.

The rigid extrusion and tight tube grip provide excellent heat transfer without expansion noise.

Accepts PEX, PEX-AL-PEX, PE-RT and copper tubing without the need for additional fasteners or adhesives.



**Pictured:
Duo Heat Transfer Plate**



**Pictured:
Duo Heat Transfer Plate
Dimensional**

