

SUBMITTAL SHEET

JOB NAME	ITEM TAG
JOB LOCATION	PART NUMBER
CONTRACTOR	DATE
ENGINEER APPROVAL	DATE

BRASS QUICK-OPERATING GATE VALVE

T-420

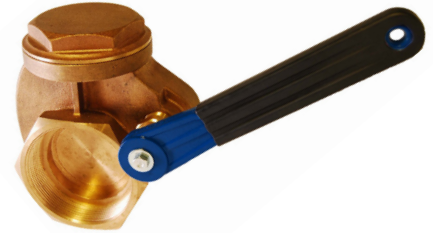
The compound lever assembly permits fast, complete opening and closing action.

Articulated split-wedge-disc design assures positive closure; extra leverage from the handle applies more closing force under pressure.

A compact body eliminates traditional handwheel rising-stem or non-rising stem designs, thus requiring a smaller pipeline footprint.

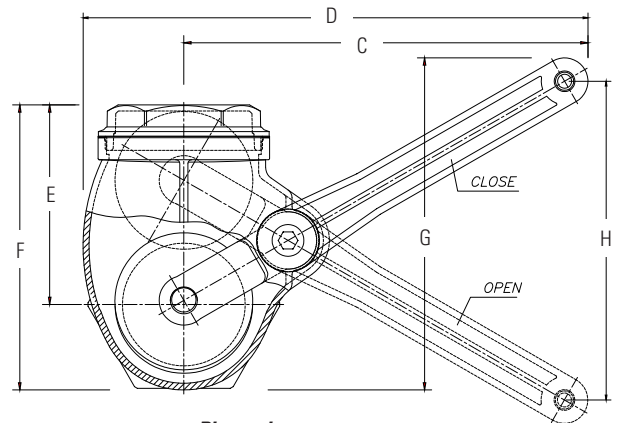
Available in nominal 3" and 4" FNPT sizes.

- End connections comply with ANSI / ASME B1.20.1
- Manufactured in an ISO accredited facility.



Working Pressures, Non Shock (PSI):

Cold Working Pressure: 200 p.s.i.
Saturated Steam: Not suitable for steam service



Pictured T-420

Front cut-away view

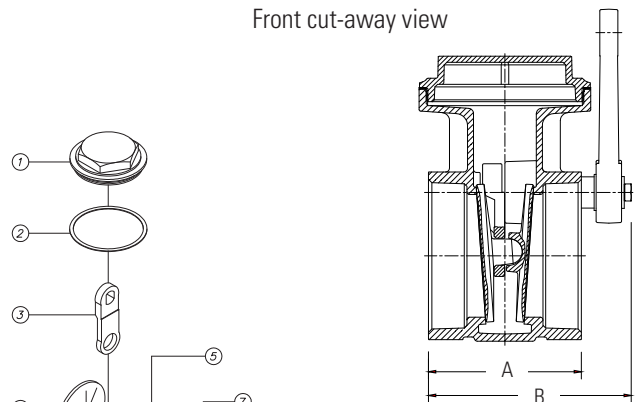
DIMENSIONS

Size	A	B	C	D	E	F	G	H
3"	3.97	5.08	9.69	12.00	4.79	6.78	7.59	7.63
4"	4.51	5.98	11.91	14.88	5.89	8.41	9.79	9.40

MATERIAL SPECIFICATION

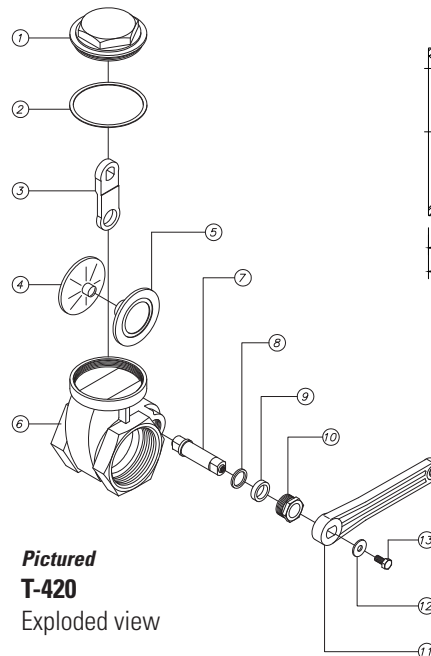
PART	MATERIAL	SPECIFICATION
1 Bonnet	Cast brass	ASTM B584 UNS C85710
2 Gasket	Fiber	Commercial grade
3 Arm	Cast brass	ASTM B584 UNS C85710
4 Disc	Cast brass	ASTM B584 UNS C85710
5 Disc	Cast brass	ASTM B584 UNS C85710
6 Body	Cast brass	ASTM B584 UNS C85710
7 Stem	Forged brass	ASTM B16 UNS C36000
8 Washer	Forged brass	ASTM B16 UNS C36000
9 Packing	PTFE	Teflon* M-392
10 Packing nut	Forged brass	ASTM B16 UNS C36000
11 Handle	Rubber-coated cast iron	Commercial grade TPR rubber / JIS Z2202 (cast iron)
12 Washer	Carbon steel	SAE 1010R
13 Handle bolt	Carbon steel	SAE 1010R

*Teflon is a registered trademark of DuPont



Pictured T-420

Side cut-away view



Pictured T-420

Exploded view