

SUBMITTAL SHEET

JOB NAME _____ ITEM TAG _____

JOB LOCATION _____ PART NUMBER _____

CONTRACTOR _____ DATE _____

ENGINEER APPROVAL _____ DATE _____

LEAD FREE QUARTER-TURN BALL-TYPE METER VALVE

T-443NL

Lead-free design is suitable for all current No-lead States, such as California, Maryland and Vermont.

Quarter-turn ball design is superior to gate or stop-type designs. The ball closure is self-cleaning, more durable and provides a tighter seal when subject to elevated water main pressures.

Bottom-loaded blowout-proof stem is a maintenance-free, dual O-ring seal design, eliminating the need to tighten a packing nut

Bi-directional flow and space-saving T-handle permit installation flexibility, by permitting either end connection to be used as the inlet end connection.

Improved 3M Dyneon* TFM PTFE seats out-perform and outlast virgin PTFE seats.

Available in sizes 3/4" and 1" FNPT and copper tubing flare

Working Pressure, Non-Shock (PSI)

Cold working pressure (CWP): 400 p.s.i.

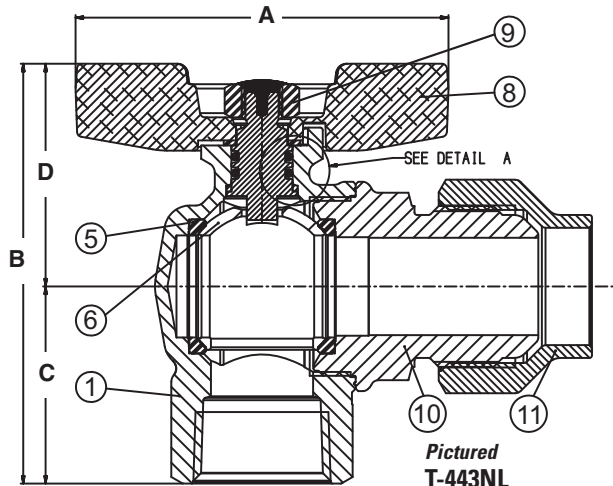
Saturated steam (WSP): Not suitable for steam service



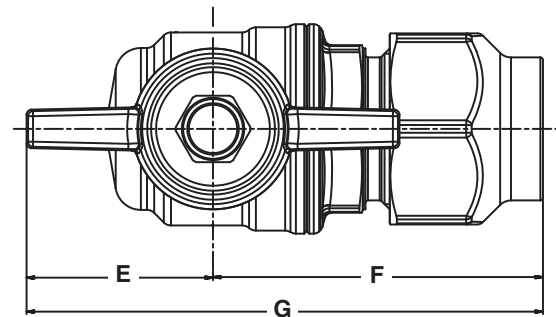
- NSF Certified to ANSI/NSF Standard 61, Annex G
- In compliance with current State and future National No-lead plumbing laws.
- Manufactured to AWWA C800 specifications

• End connections comply with ANSI/ASME B1.20.1 and AWWA C800

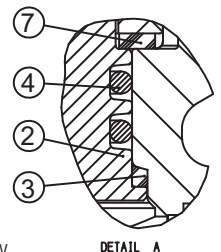
• Manufactured in an ISO accredited facility



Pictured T-443NL
FNPT x FL Cut-away view



Pictured T-443NL
FNPT x FL top view



Pictured T-443NL
Detail A view

MATERIAL SPECIFICATION

PART	MATERIAL	SPECIFICATION
1 Body	Lead-free forged brass	CW510L UNS C28500
2 Stem	Chrome-plated lead-free forged brass	CW510L UNS C28500
3 Anti-friction thrust washer	TFM PTFE	3M Dyneon*
4 Stem O-rings (2)	Fluoroelastomer	DuPont Viton**
5 Seats (2)	TFM PTFE	3M Dyneon*
6 Ball	Chrome-plated lead-free forged brass	CW510L UNS C28500
7 Anti-friction washer	TFM PTFE	3M Dyneon*
8 T-handle	Coated aluminum	Commercial grade, die-cast
9 Handle nut	Dacromet-coated carbon steel, tamper-evident	ASTM A510 UNS G10060
10 End adapter	Lead-free forged brass	CW510L UNS C28500
11 Flare nut	Forged brass	ASTM B 124 UNS Alloy C37700

*Dyneon TFM is a registered trademark of the 3M Company.

**Viton is a registered trademark of DuPont

DIMENSIONS

Size	A	B	C	D	E	F	G
3/4" FNPT x 3/4" Flare	2.87	3.24	1.52	1.72	1.44	2.54	3.98
3/4" FNPT x 1" Flare	2.87	3.24	1.52	1.72	1.44	2.77	4.21
1" FNPT x 1" Flare	2.87	3.69	1.81	1.87	1.44	2.97	4.40