

SUBMITTAL SHEET

JOB NAME	ITEM TAG
JOB LOCATION	PART NUMBER
CONTRACTOR	DATE
ENGINEER APPROVAL	DATE

STAINLESS STEEL GLOBE VALVE

Model T-752

Working Pressure, Non Shock (PSI)

Cold working pressure (CWP): 200 SWP

Saturated steam (WSP): 125 WSP

Pictured Model T-752

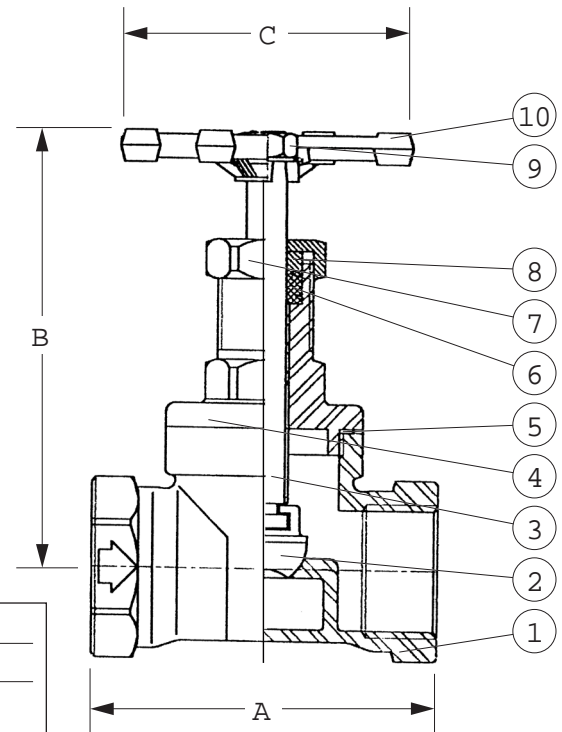


MATERIAL SPECIFICATION

PART	MATERIAL	SPECIFICATION
1 Body	Stainless steel	316
2 Disc	Stainless steel	304
3 Stem	Stainless steel	304
4 Bonnet	Stainless steel	316
5 Gasket	PTFE	Dupont Teflon
6 Packing	PTFE	Dupont Teflon
7 Packing nut	Stainless steel	304
8 Gland washer	Stainless steel	304
9 Nut	Stainless steel	304
10 Handle	Cast iron	JIS ZZ 2202

*Teflon is a registered trademark of Dupont

Pictured Model T-752 Cut-away



DIMENSIONS

Size	A	B	C
1/2"	2.48	4.17	2.44
3/4"	2.76	4.17	2.44
1"	3.03	4.57	2.95
1-1/4"	3.43	4.80	2.95
1-1/2"	3.94	5.67	3.74
2"	4.33	5.71	3.74