

Mira 2 Recessed Light

Design by Roberto Pamio

LED

Wattage 1x16 W, 500 mA LED, 1500 Lumens
1x23 W, 700 mA LED, 2000 Lumens

Color Temperature 2700 K, 3000 K, 3500 K, 4000 K

Driver Dimmable electronic driver
ELV or 0-10 V
(consult website: leucosusa.com for a list of compatible dimmers)

LED Housing Options New Construction, Remodel, Insulated, Chicago Plenum

Lo-Voltage

Remodel 1x50 W, lo-voltage halogen, MR-16 ⚡
New Construction 1x50 W, lo-voltage halogen, MR-16 ⚡
Insulated Ceiling 1x35 W, lo-voltage halogen, MR-16 ⚡

Damp Location Yes

Voltage 120 Volts
277 Volts

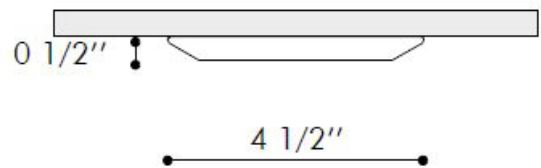
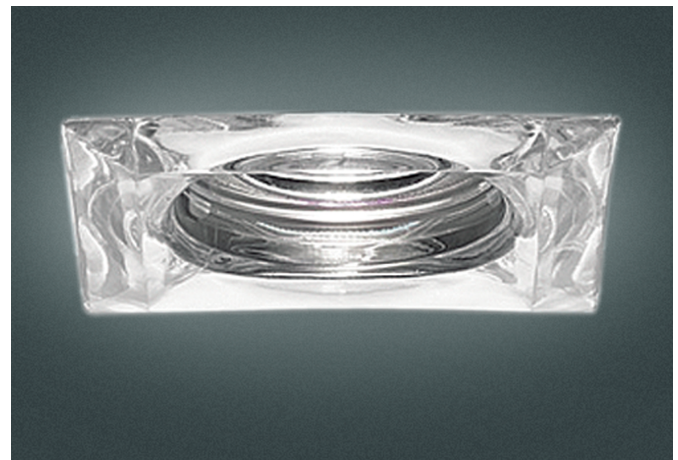
Ceiling Cutout 3 5/8" (92 mm)

Trim Dimensions Width: 4 1/2" (114 mm)
Height: 1/2" (13 mm)

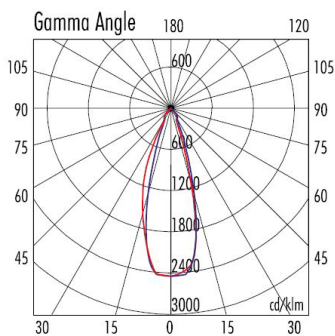
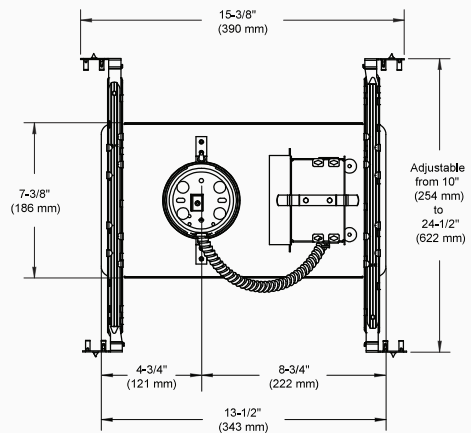
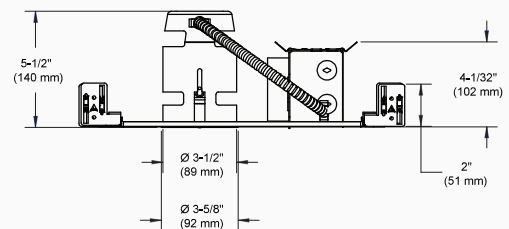
Housing Dimensions Length: 15 3/8" (390 mm)
Width: 10 - 24 1/2" (254 - 622 mm)
Height: 5 1/2" (140 mm)

Certifications

Housing is UL listed



LED New Construction Housing



MR16 - 50W 38°

Lux	h	E max	E med
1.00	2262	1318	
2.00	565	330	
3.00	251	146	
4.00	141	82	
5.00	90	53	



Jade Green



Pale Blue



Crystal



Satin White