



Shown in Satin Nickel

D003

BASKET STRAINER

DETAILS

Materials: Brass Construction with Plated, Living, or Stainless Steel Finishes

Plated Finishes: [DB | WC | PN | SN]

Living Finishes: [AB | PB | UB]

Solid Stainless Steel Finishes: [PS | SS]

Basket with Twist Nut

Non-overflow

For decorative basket strainers see D051 through D077

DRAIN SIZE

3.5"

AVAILABLE FINISHES

	AB	Antique Bronze
	UB	Satin Unlacquered Brass
	PB	Polished Unlacquered Brass
	DB	Dark Bronze
	WC	Weathered Copper
	SN	Satin Nickel
	PN	Polished Nickel
	SS	Satin Stainless Steel
	PS	Polished Stainless Steel



INSTALLATION

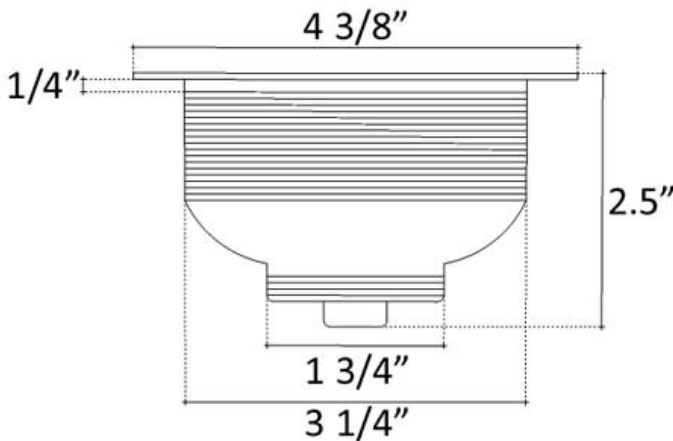
We recommend consulting a professional if you are unfamiliar with installing bathroom fixtures and plumbing. Linkasink accepts no liability for any damage to the floor, walls, plumbing, or personal injury during installation.

CARE

Use mild soap and water for everyday cleaning. Avoid any harsh abrasives, chemicals, and acidic cleaning products. A soft toothbrush may be used for more thorough cleaning, but be careful not to damage the plated finish. A paste wax may be applied periodically to protect the finish and help with water spotting.

WARRANTY

Linkasink warranties our product to be free from manufacturing defect for the life of the product. Warranty does not cover improper care, neglect or abuse.



DIMENSIONS WILL VARY

DO NOT use this sheet as a guide for countertop cuts. Due to the handmade nature of each product, templates are not provided.