

## Bolano - 30"

## Specification & Installation Guide

### Features

- Wall hung 30" vanity : 24-3/8"(620mm)H x 18"(458mm)D x 29-5/8" (753mm)W
- Furniture grade plywood layered with solid wood veneer and protected with several coats of polyurethane (No particle board or MDF used).
- Matching finish inside out
- Two fully adjustable drawers with full-extension soft-close European hardware.
- Bottom drawer includes adjustable tempered glass dividers and retainers

### Colors/Finishes

- Ash Grey (AG)
- Glossy White (GW)
- Walnut (WA)

### Top/Basin options

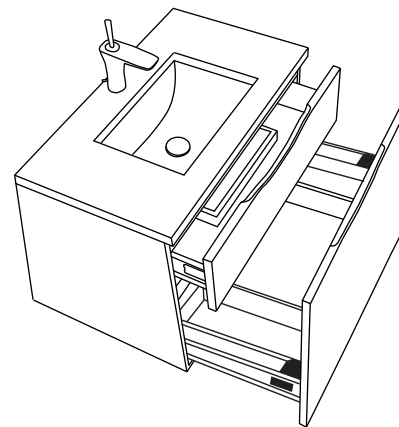
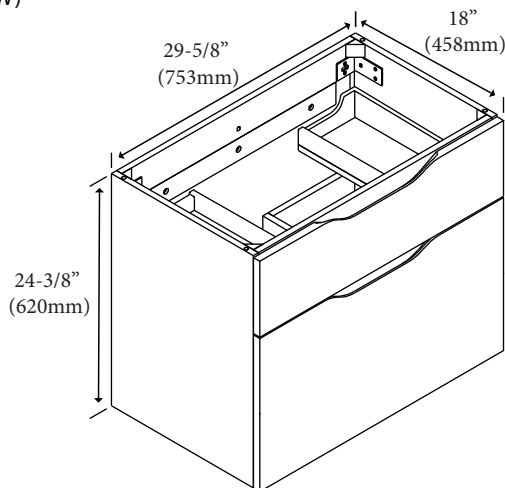
- White, Soft Grey or White Carrara Quartzstone™ top & white under mount ceramic basin
- Glossy White X-Stone top/basin
- Ceramic basin
- Tempered glass top/basin
- Glossy or Matte White X-Stone flat countertop

### Package Dimensions

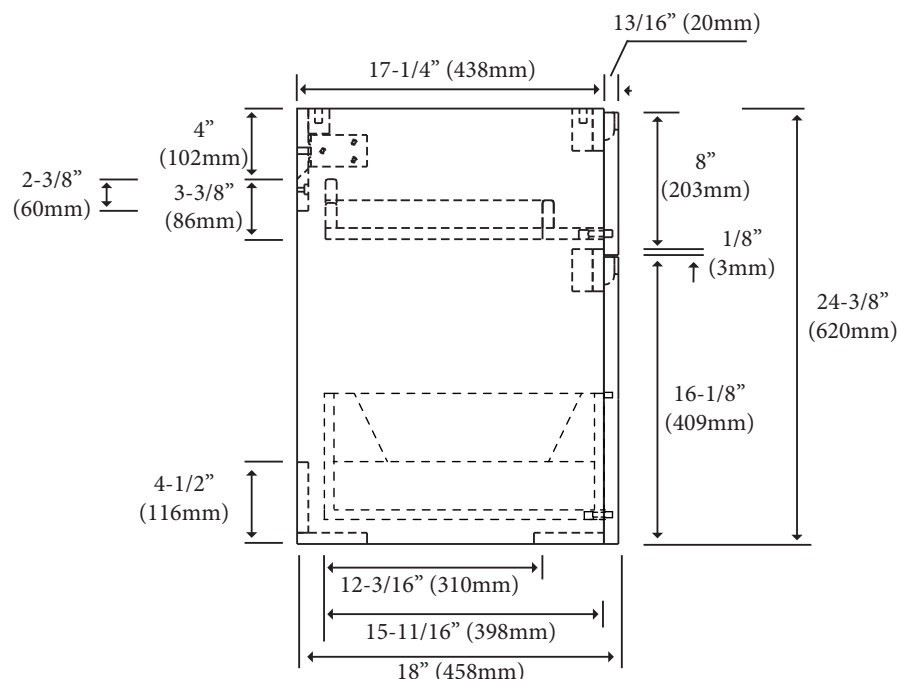
32" x 21" x 28"

### Weight

84 lbs. / 38.18 kgs



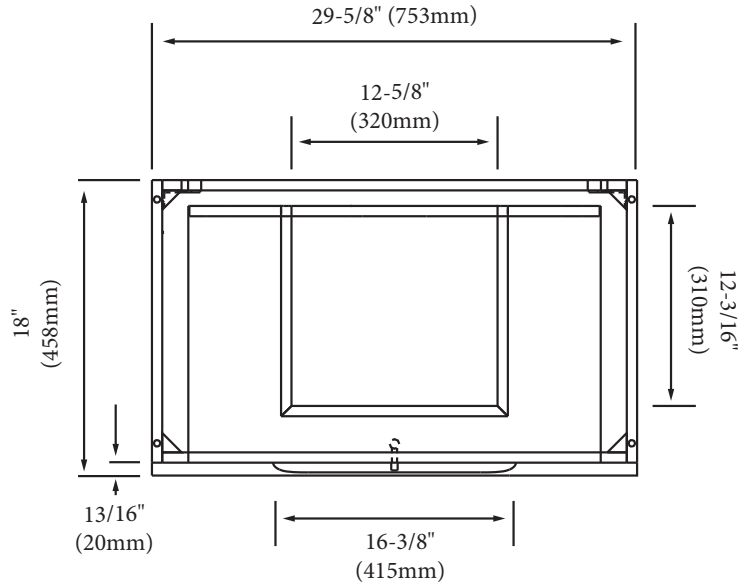
### SIDE VIEW



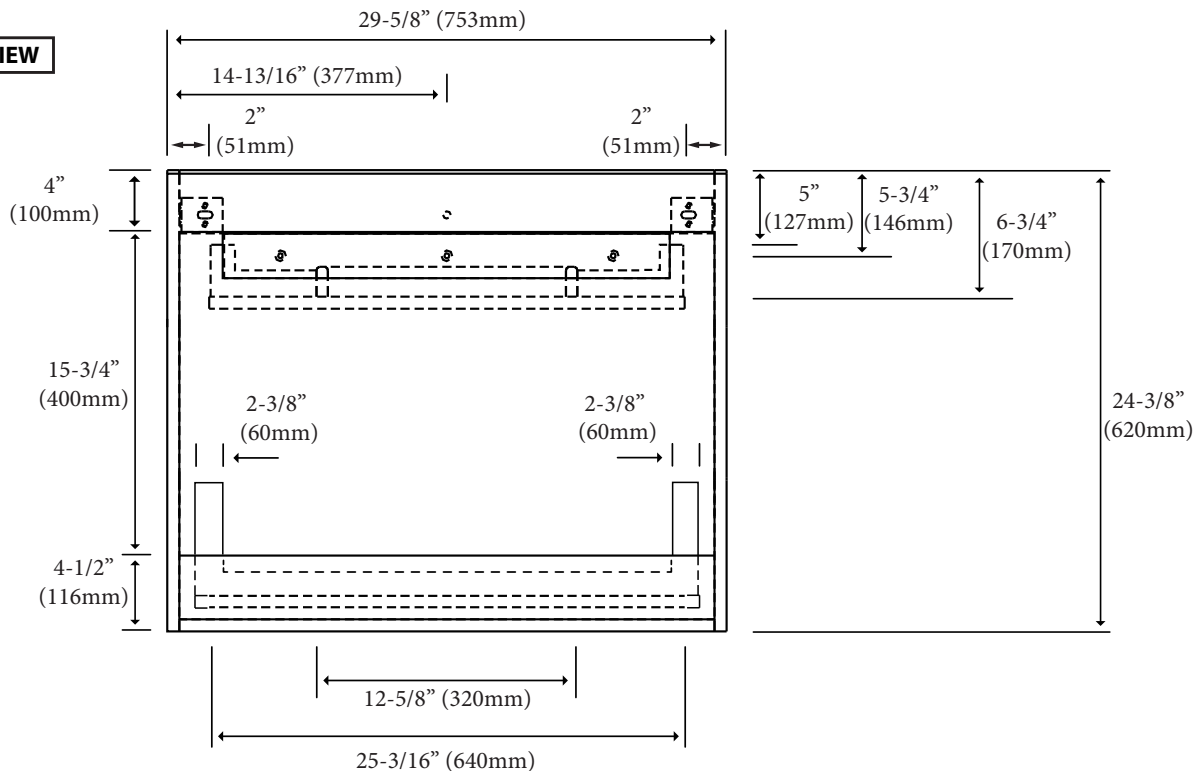
## Bolano - 30"

## Specification & Installation Guide

### TOP VIEW

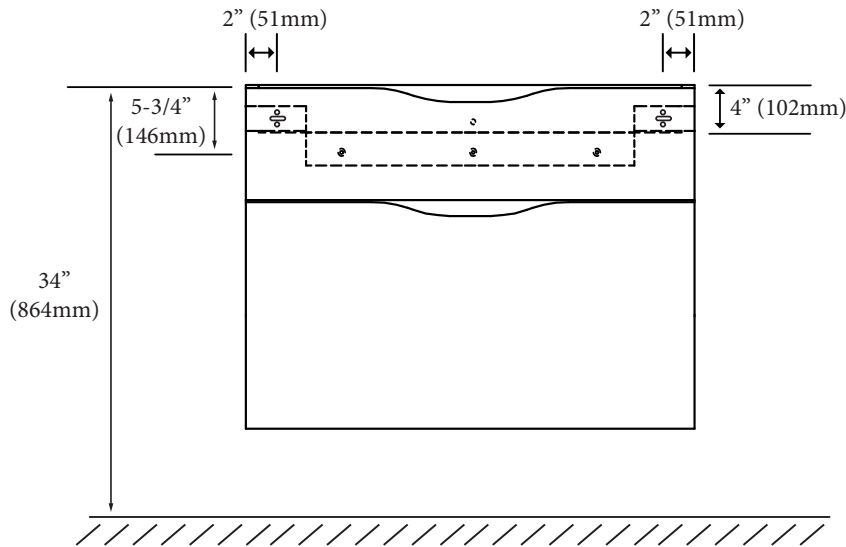


### BACK VIEW



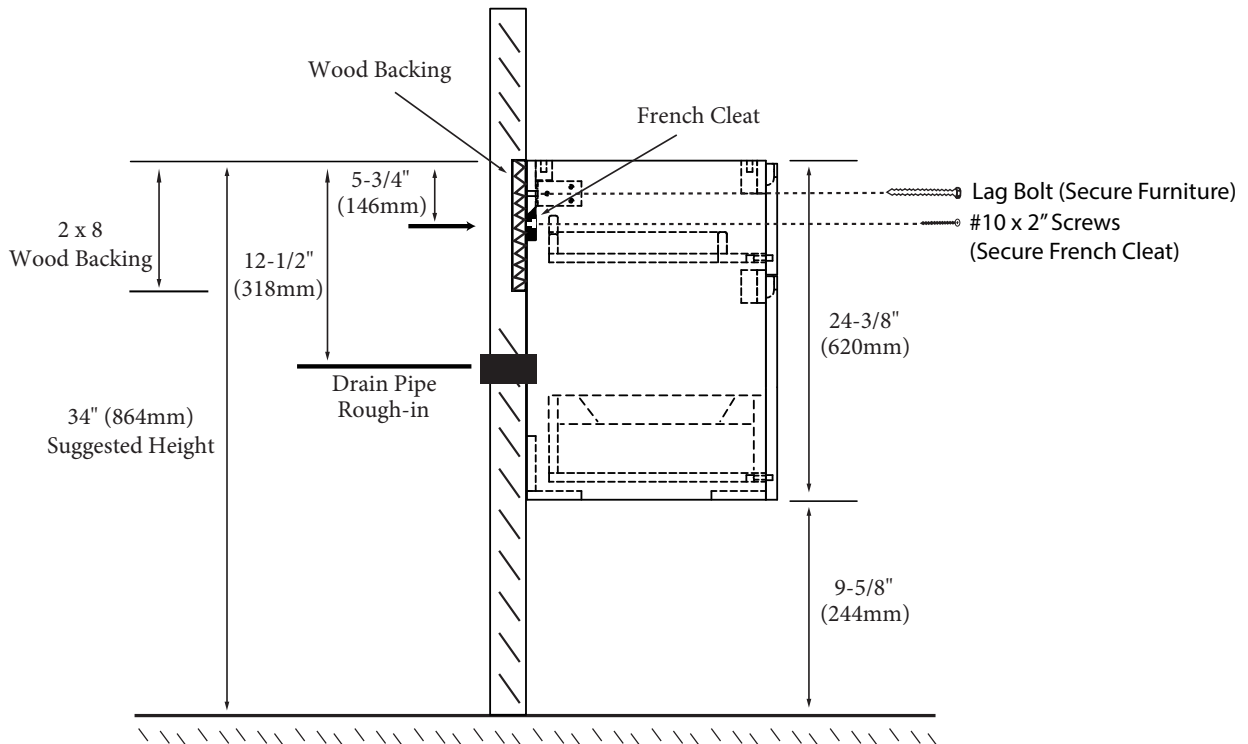
## Bolano - 30" Specification & Installation Guide

### FRONT VIEW



### TYPICAL INSTALLATION

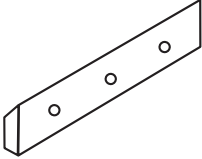




The typical dimensions shown will result in vanity cabinet height of 34" (864mm). Depending on the countertop selected, the total height will vary from 35-1/4" (895mm) to 36-1/2" (927mm). For above-counter vessels with typical heights between 4" and 6", it is suggested to lower the cabinet to 31" (785mm). If alternate heights are desired, adjust the rough-in and backing material heights using the dimensions provided.



## Bolano - 30"

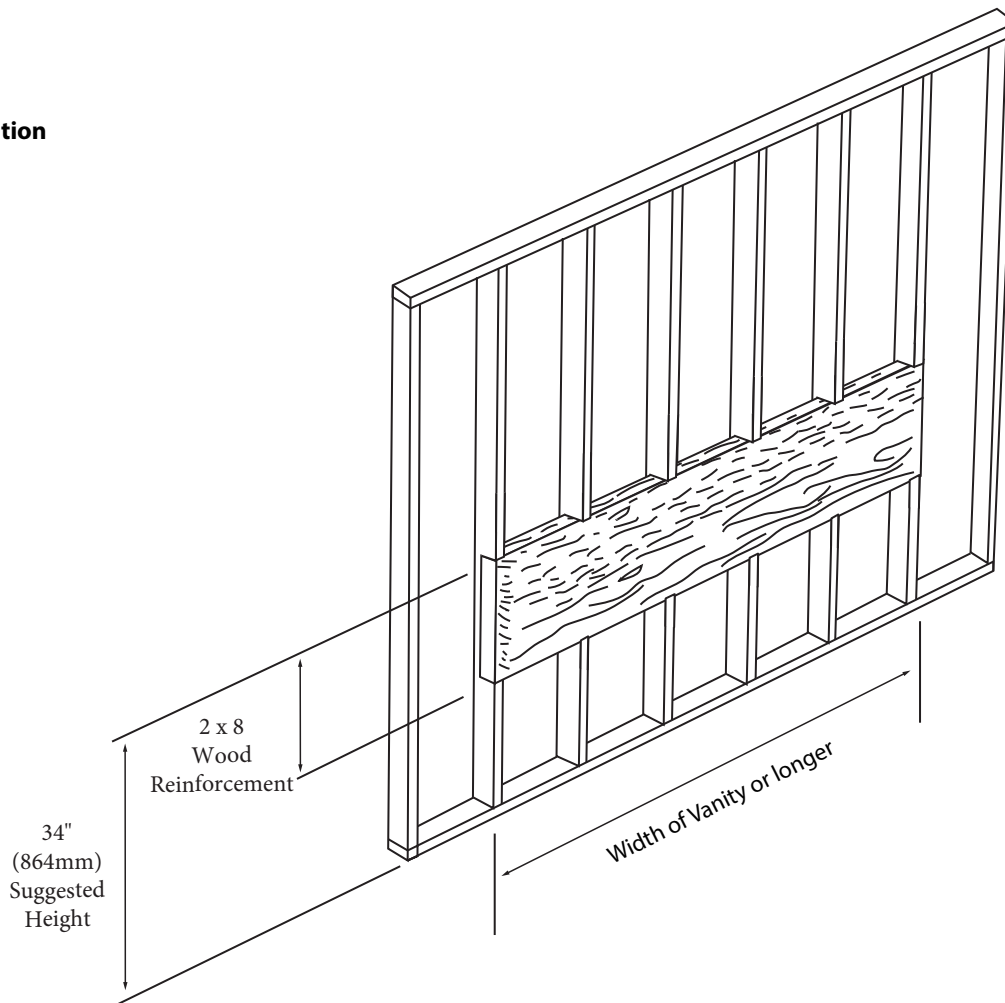
## Specification & Installation Guide

### INSTALLATION INSTRUCTIONS

Item	French Cleat	#10 x 2" Screws	Anchors	Screw	Silicone (not included)
Qty.	1	3	3	3	1
					

### STEP 1

#### Wall Preparation



**For clarification, please contact Madeli Customer Care at (800)-819-6988 or (305)-718-8817 Ext. 1**

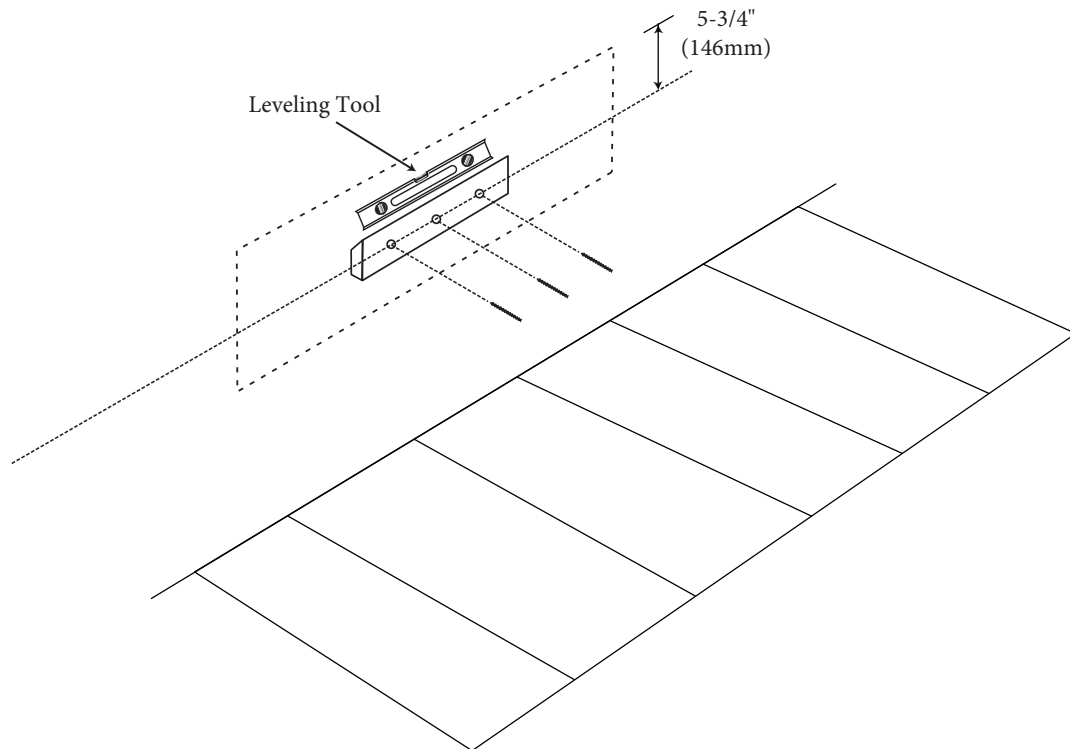
All dimensions are approximate and subject to standard tolerance. Specifications subject to change without prior notice.

## Bolano - 30"

## Specification & Installation Guide

### STEP 2

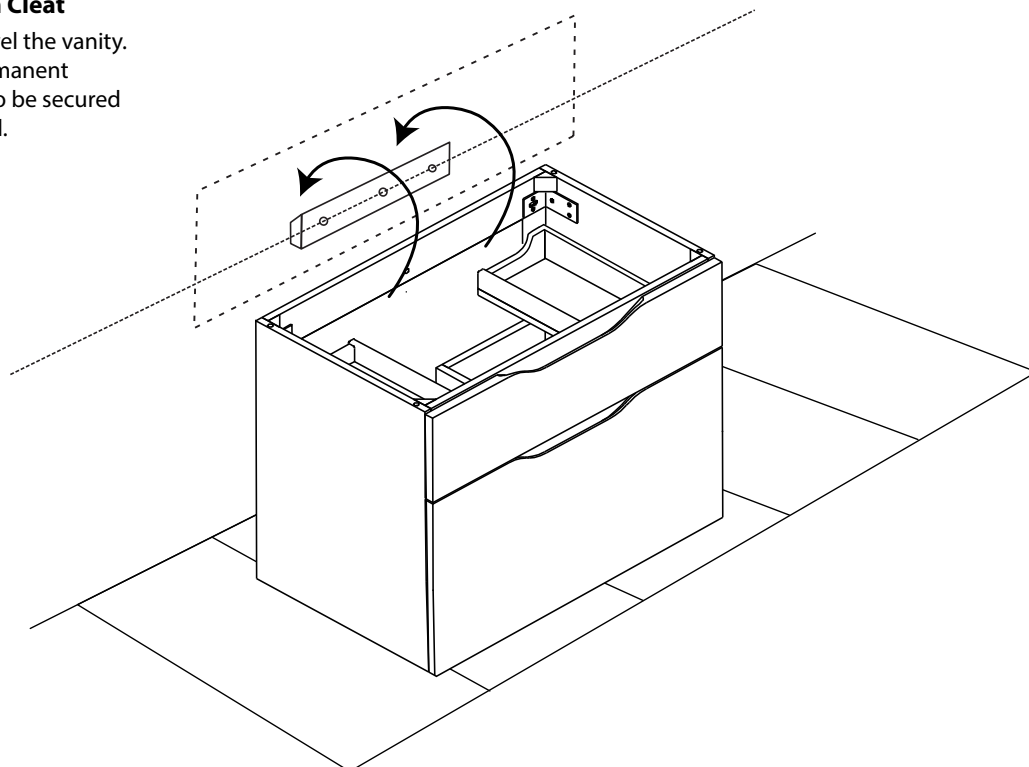
#### Install French Cleat



### STEP 3

#### Place vanity on French Cleat

French Cleat is only to level the vanity. It is not designed for permanent support. Cabinet needs to be secured to wood backing material.

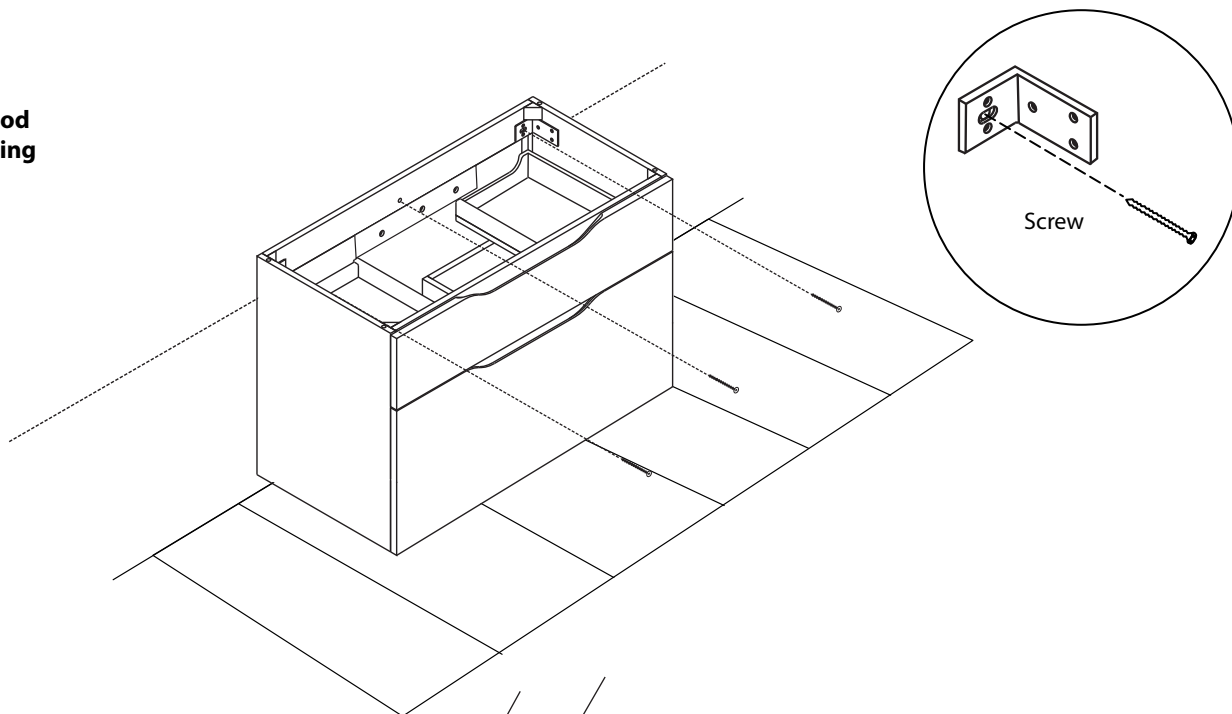


## Bolano - 30"

## Specification & Installation Guide

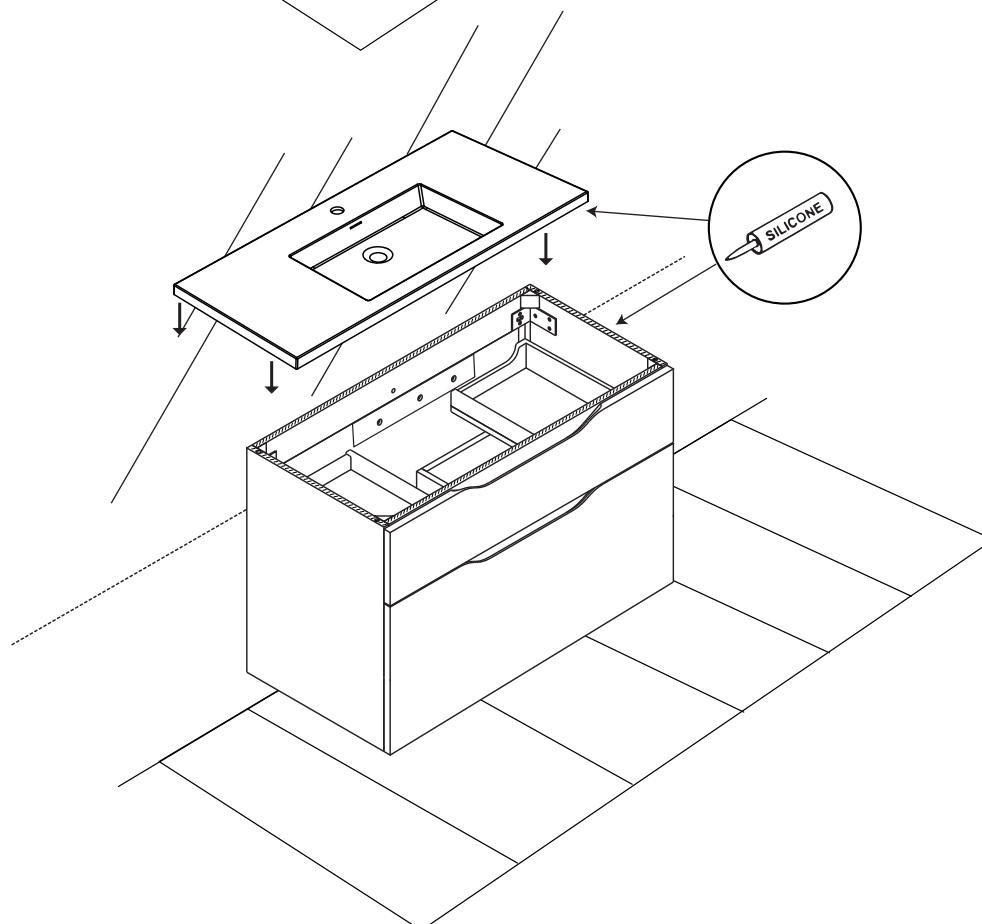
### STEP 4

Secure vanity to wood reinforcement backing



### STEP 5

Install countertop with Silicone



For clarification, please contact Madeli Customer Care at (800)-819-6988 or (305)-718-8817 Ext. 1  
All dimensions are approximate and subject to standard tolerance. Specifications subject to change without prior notice.