

# INSTALLATION INSTRUCTION

## 617 - LED Pendant

PD-61760



MODERN FORMS  
A WAC LIGHTING COMPANY

### WARNING

IMPORTANT: NEVER attempt any work without shutting off the electricity.

- Read all instructions before installing.
- System is intended for installation by a qualified electrician in accordance with the National Electrical Code and local regulations.
- Go to the main fuse box, or circuit breaker. Place the main power switch in the "OFF" position and unscrew the fuse(s) or switch "OFF" the circuit breaker switch(es) that control the power to the fixture or room that you are working on.
- Place the wall switch in the "OFF" position.

### CAUTION

- All parts must be used as indicated in these instructions. Do not substitute any parts, leave parts out, or use any parts that are worn out or broken. Failure to follow this instruction could invalidate the ETL/CETL listing of this fixture.  
CAUTION When handling the fixture, do not apply pressure to the LEDs. Hold the fixture by the base only.

### AVERTISSEMENT

IMPORTANT : Coupez l'électricité avant TOUTE manipulation.

- Lisez toutes les instructions avant d'installer.
- Système est destiné à être installé par un électricien qualifié en conformité avec le code national de l'électricité et les règlements locaux.
- Accédez au panneau central de disjoncteurs ou de fusibles de votre demeure et placez l'interrupteur principal en position d'arrêt (« OFF »).
- Placez l'interrupteur mural en position d'arrêt (« OFF »).

### MISE EN GARDE

- Toutes les pièces doivent être utilisées tel qu'il est indiqué dans ces instructions. Ne remplacez pas les pièces, n'en laissez pas de côté et ne les utilisez pas si elles sont usées ou brisées. Le non-respect de ces instructions peut annuler l'homologation ETL/CETL du luminaire. MISE EN GARDE Ors de la manipulation de l'appareil, ne pas appliquer de pression à la LED, tenir l'appareil par la seule base.

### ADVERTENCIA

IMPORTANTE: NUNCA intente hacer trabajos sin desconectar el suministro eléctrico.

- Lea y comprenda todas las instrucciones e ilustraciones por completo antes de proceder con el ensamblaje e instalación de esta lámpara.
- Sistema está diseñado para ser instalado por un electricista calificado, de acuerdo con el código eléctrico nacional y las normas locales.
- Diríjase a la caja de fusibles o a la caja del interruptor de circuito principal en su hogar. Coloque el interruptor de alimentación principal en la posición "OFF" (APAGADO).
- Coloque el interruptor de la pared en la posición "OFF" (APAGADO).

### PRECAUCIÓN

- Todas las piezas deben usarse como lo indican estas instrucciones. No reemplace las piezas, no omita piezas durante la instalación ni utilice piezas gastadas o rotas. El incumplimiento de esta indicación podría invalidar la calificación ETL/CETL esta lámpara. PRECAUCIÓN Al manipular el aparato, no aplique presión a los LED, mantenga el aparato en la base sólo.

### HARDWARE

A



Plastic Anchor  
Qty: 4pcs+1pc Extra  
7TCH421301  
Nickel  
Φ4X22

B



Wood  
Screw  
Qty: 4pcs+1pc Extra  
7MPF2204J2  
Nickel  
Φ4X22

C



Wire  
Connector  
Qty: 5pcs+1Extra  
7EAC112201  
P3

D



Junction  
Box Screw  
Qty: 2pcs+1Extra  
7MPF0820C1  
#8-32x13/16

E



Allen Screw  
Qty: 1pc Extra  
7MPF0303K1  
1/8-40x 1/8  
Paint NI

F



Allen  
Wrench  
Qty: 1pc  
7MPE155003  
1/16x1/16x1 13/16  
Black Zinc

G



Mounting Screw  
Qty: 1pc Extra  
4MPF041502PM/  
4MPF041502BK  
5/32-32x 9/16  
Paint PM/BK

modernforms.com  
Phone (800) 526.2588  
Fax (800) 526.2585

Headquarters/Eastern Distribution Center  
44 Harbor Park Drive  
Port Washington, NY 11050

Central Distribution Center  
1600 Distribution Ct  
Lithia Springs, GA 30122

Western Distribution Center  
1750 Archibald Avenue  
Ontario, CA 91760



# INSTALLATION INSTRUCTION

## 617 - LED Pendant

PD-61760



MODERN FORMS  
A WAC LIGHTING COMPANY

### PREPARATION

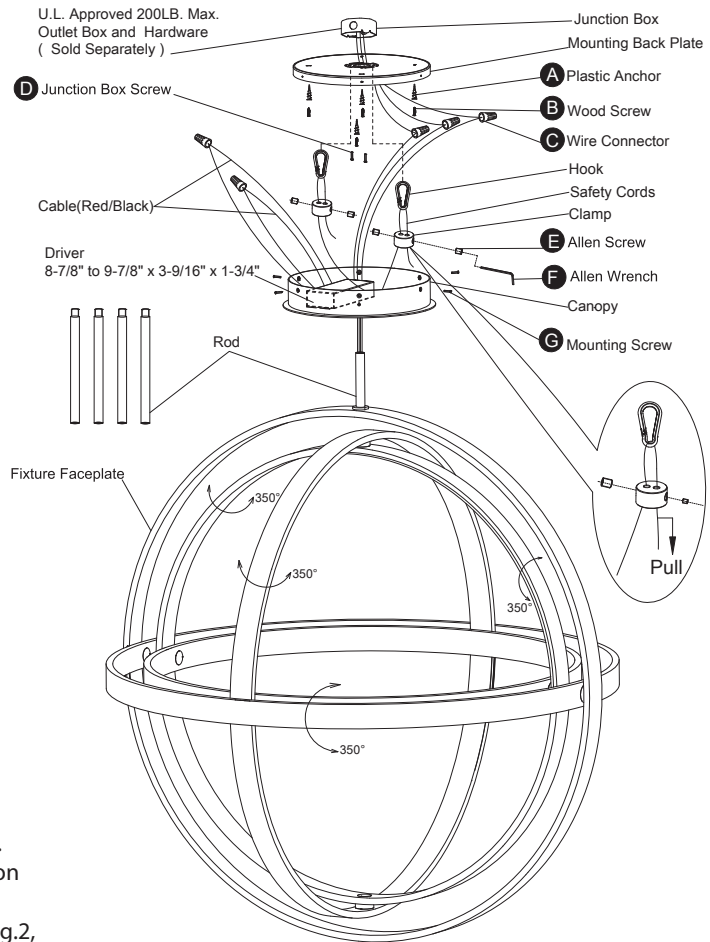
1. Shut off the power at the circuit breaker and remove existing fixture, including the crossbar.
2. Carefully unpack your new fixture and lay out all the parts on a clear area. Be careful not to lose any small parts necessary for installation.

### CONNECTING THE WIRES (Fig. 2)

3. Remove the mounting screw (G) and Mounting Back Plate from the fixture.
  4. Remove two hoods from the safety cord; choose the number of down rods suitable of your application.
  5. Thread the two safety cords and fixture wire through the rods and canopy one by one. Connect the canopy, rods and fixture body. Making sure all are tightened.
  6. Unscrew the Allen screw (F) using Allen wrench (E), pull out the extra safety cord through clamp, leave a loop for hooking, then secure the safety cords with clamp by tightening the Allen screw, hook the hooks into the safety cord loop.
  7. Drill holes in the wall aligned with the key hole located in the mounting plate, insert the plastic anchor (A).
  8. Secure mounting back plate to the junction box using junction box screws (D), fasten it to the wall using wood screw (B) The side of the mounting plate marked "GND" must face out.
- \* Hook the two hooks on the mounting back plate slot.**
9. Connect the driver input wires with outlet box wires, making sure that all wire connectors (C) are secured. If your outlet box has a green or bare copper ground wire, connect the fixture's ground wire to it. Otherwise, connect the fixture's ground wire directly to the mounting plate using the green screw provided. After wires are connected, tuck them carefully inside the junction box.
  10. Connect the driver output wires with fixture wire as shown in Fig.2, making sure that all wire connectors (C) are secured.
  11. Place the fixture over the mounting back plate and secure it with mounting screws (G).
  12. The lamp ring can rotate 350 degree; rotate them to your desired angles.

**Note: The fixture exceeds 100 lbs. and must be installed using an outlet box U.L. approved for 200lbs.**

Fig.1



Back Plate Dimensions  
7MBC382501

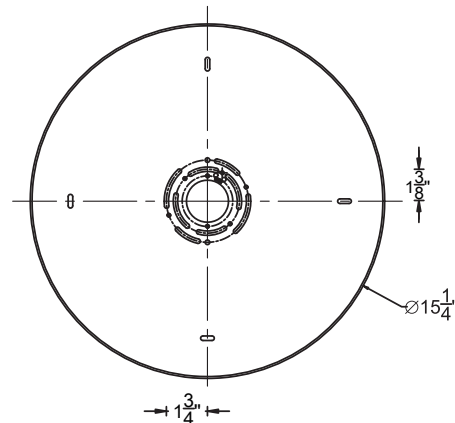
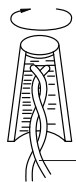


Fig. 2 Wiring



Fixture Wires	House Wires
Black or Smooth	Black (Hot)
White or Ribbed	White (Neutral)
Bare wire (Ground)	Green or Bare Copper (Ground)

modernforms.com  
Phone (800) 526.2588  
Fax (800) 526.2585

Headquarters/Eastern Distribution Center  
44 Harbor Park Drive  
Port Washington, NY 11050

Central Distribution Center  
1600 Distribution Ct  
Lithia Springs, GA 30122

Western Distribution Center  
1750 Archibald Avenue  
Ontario, CA 91760

