

Location: _____



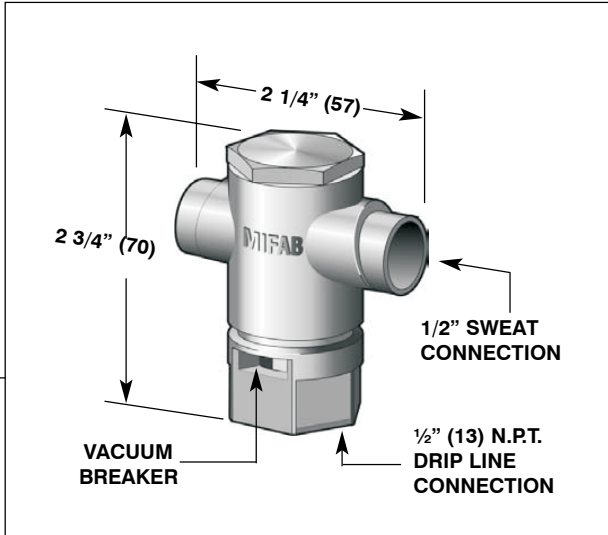
MI-TSP-NPB

TRAP SEAL PRIMER

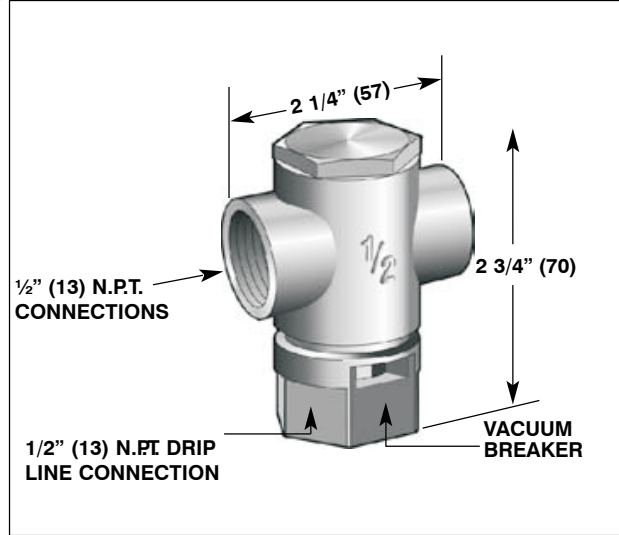
Specification: MIFAB® Series MI-TSP-1-NPB brass trap seal primer with removable poppet, integral vacuum breaker, gasketed access cover, ½" (13) sweat connection adapters and ½" (13) N.P.T. drip line connection.

Specification: MIFAB® Series MI-TSP-2-NPB brass trap seal primer with removable poppet, integral vacuum breaker, gasketed access cover, ½" (13) N.P.T. inlet and outlet connections, and ½" (13) N.P.T. drip line connection.

MI-TSP-1-NPB

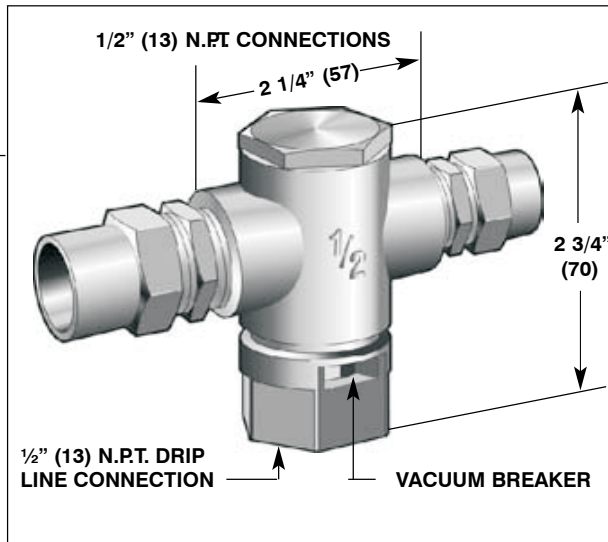


MI-TSP-2-NPB



Plumbing and Drainage
Mechanical Section

MI-TSP-3-NPB



Specification: MIFAB® S series MI-TSP-3-NPB brass trap seal primer with removable poppet, integral vacuum breaker, gasketed access cover, ½" (13) N.P.T. inlet and outlet connections, complete with ½" (13) sweat connection adapters and ½" (13) N.P.T. drip line connection.

Function: Trap seal primers are a necessity in areas where drains are infrequently used. The MIFAB MI-TSP Series of trap seal primers are designed to maintain trap seals. The trap seal primer is installed in the cold water supply line to any fixture in order to provide intermittent water supply to a floor drain trap to maintain the trap seal. The opening of the valve in a horizontal supply line will cause the poppet to rise from its seat and allow a metered amount of water to enter the trap supply line. The closing of the valve will cause the poppet to reseat. Slots on each side of the trap seal primer offer visual inspection of water flow from the trap seal primer to the trap and acts as a vacuum breaker. Trap seal primers should be installed a minimum of 12" (305) above the grid of a floor drain or flood level rim of equipment served. The operating range for all of MIFAB's MI-TSP series of trap seal primers is 20 to 125 p.s.i.



SUFFIX	OPTIONAL VARIATIONS
-CP	Polished chrome plated
-RK	Repair kit (Rubber poppet and brass seat)

MIFAB's MI-TSP-1-NPB, MI-TSP-2-NPB and MI-TSP-3-NPB trap seal primers are listed with I.A.P.M.O. and C.S.A. and are tested and certified to the A.S.S.E. Standard 1018.

*The wetted surface of the -NPB Series of water hammer arrestors contacted by consumable water contains less than a quarter of one percent (0.25%) of lead by weight

(Dimension) Denotes Millimetres

CALIFORNIA PROPOSITION 65 WARNING. This product contains chemicals known to the State of California to cause cancer and birth defects or other reproductive harm.

Job Name: _____	Page No: _____
Section No: _____	Contractor: _____
Schedule No: _____	Purchase Order No: _____