

Location: _____



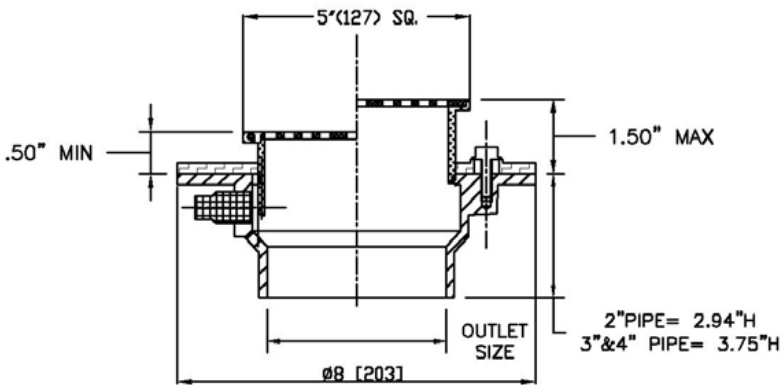
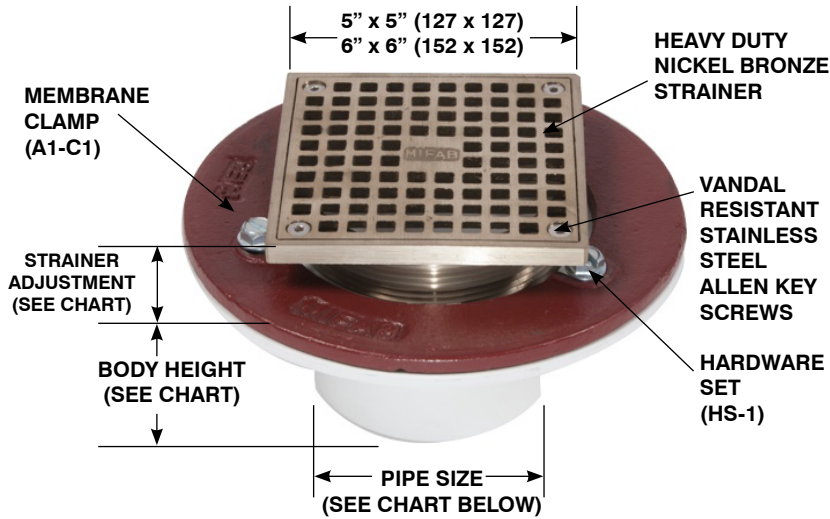
F100-C-S

SQUARE ADJUSTABLE FLOOR DRAIN WITH FLANGE AND CLAMP

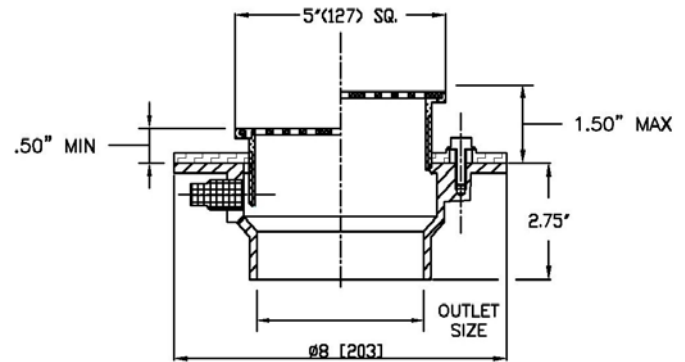
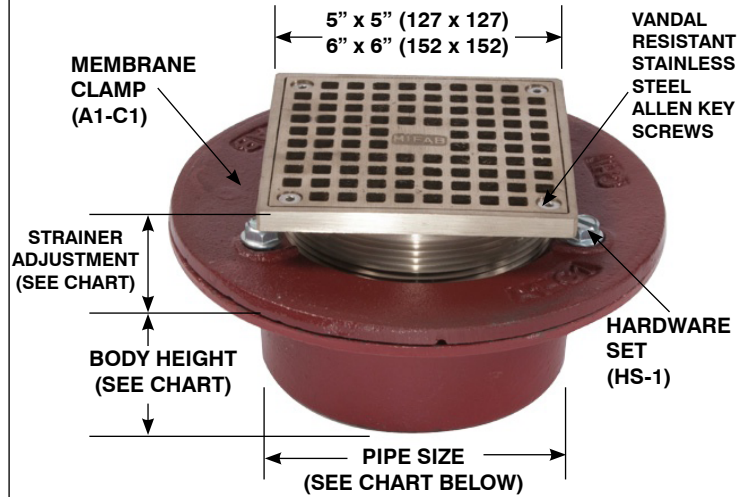
Specification: MIFAB Series F100-C-S lacquered cast iron floor drain with anchor flange, cast iron membrane clamp ring with primary and secondary weepholes for waterproofing membrane, and standard satin finished square nickel bronze strainer with vandal resistant stainless steel allen key screws.

Function: Used in showers, kitchens, restrooms, and other non-membrane finished areas. Square adjustable nickel bronze strainer is used for floors that are finished of material or straight line patterns.

F104-30-C-S5-1



F104-C-S5-1



SUFFIX OPTIONAL VARIATIONS

-6 Vandal proof

STRAINER DIAMETER	STRAINER ADJUSTMENT		ANSI/ASME RATING		PIPE SIZE	NO HUB (STANDARD)	PUSH ON (P)	PVC/ABS (-30)/(-31)
	MIN	MAX	FREE AREA	LOAD RATING				
5" (127)	1/2" (13)	1 1/2" (38)	8 in ² (5200 ²)	Up to 2,000 Lbs.	2" (51)	3" (76)	3 3/8" (86)	2 15/16" (75)
6" (152)	11/16" (17)	1 1/2" (38)	9 in ² (5800 ²)	Up to 2,000 Lbs.	3" (76)	3" (76)	3 3/8" (86)	3 3/4" (95)
					4" (102)	3" (76)	3 3/8" (86)	3 3/4" (95)

Job Name: _____
 Section No: _____
 Schedule No: _____

Page No: _____
 Contract: _____
 Purchase Order No: _____