



Buy it for looks. Buy it for life.®

*There is more than 1 version of this model.  
Page down to identify the version you have.*

**DESCRIPTION**

- Metal construction with chrome plated finish
- 1/2" IPS connections will accept standard ball nose connection for 3/8" tubing
- Includes Protégé side spray with Duralock™ quick connect installation

**OPERATION**

- Lever style handles

**FLOW**

- Spout flow is limited to 1.5 gpm (5.7 L/min) at 60 psi

**CARTRIDGE**

- 1224 cartridge design
- Nonmetallic and stainless steel material

**STANDARDS**

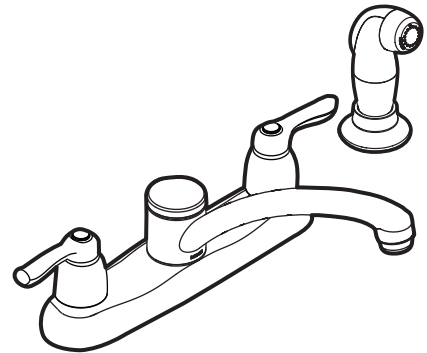
- Third party certified to ASME A112.18.1/CSA B125.1, and all applicable requirements referenced therein
- Certified to NSF 61/9 & 372
- Complies with California Proposition 65 and with the Federal Safe Drinking Water Act

- **ADA**  for lever handles

**WARRANTY**

- Lifetime limited warranty against leaks, drips and finish defects to the original consumer purchaser
- 5 year warranty if used in commercial installations

# Specifications

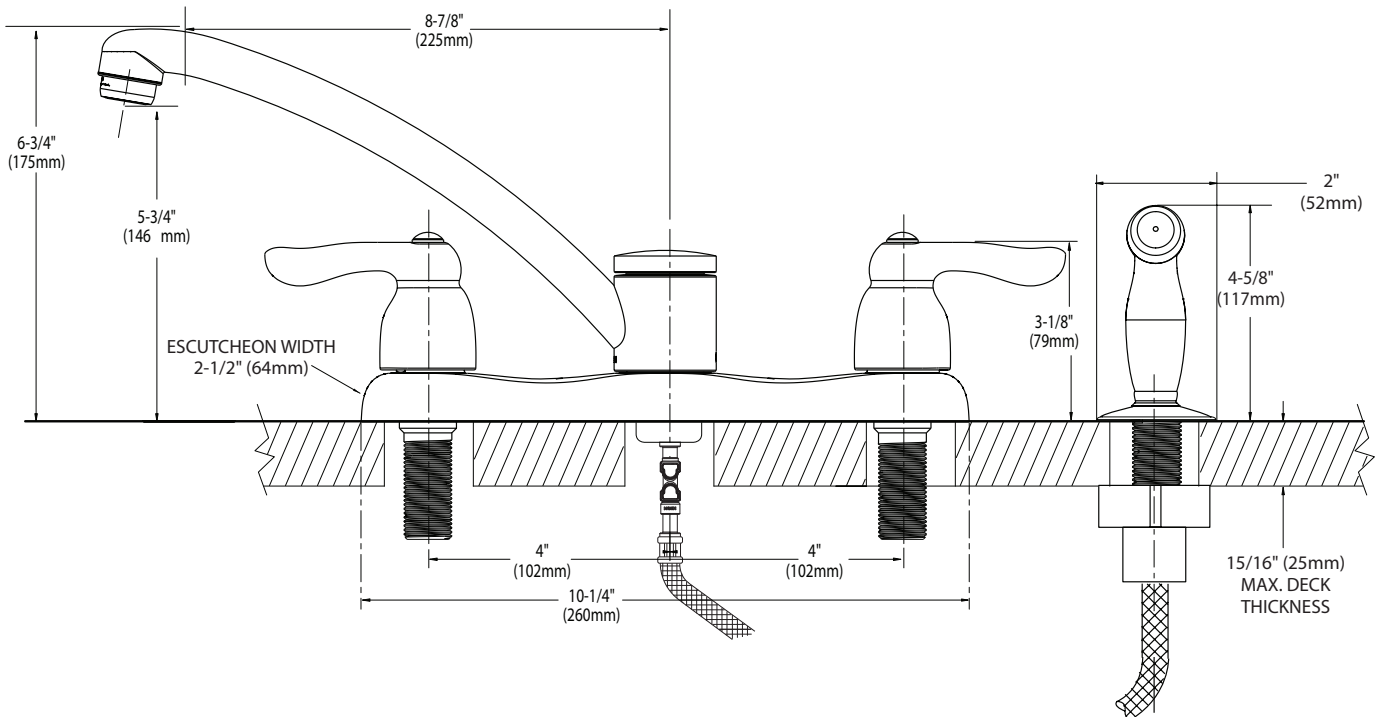


## CHATEAU® Two-Handle Kitchen Faucet

**Model:** 7907 with side spray

**Model:** 7906 less side spray

**NOTE:** THIS FAUCET IS DESIGNED TO BE INSTALLED THROUGH HOLES - 1" MIN. DIA. AND ON 4" CENTERS



### CRITICAL DIMENSIONS

(DO NOT SCALE)



Buy it for looks. Buy it for life.®

# Specifications

## DESCRIPTION

- Metal construction with chrome plated finish
- 1/2" IPS connections will accept standard ball nose connection for 3/8" tubing
- Includes Protégé side spray with Quick connect installation

## OPERATION

- Lever style handles


## FLOW

- Spout flow is limited to 2.0 gpm (7.6 L/min) at 60 psi

## CARTRIDGE

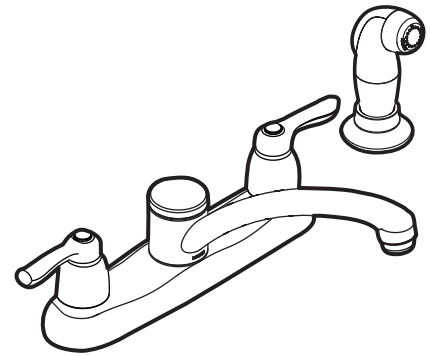
- 1224 cartridge design
- Nonmetallic and stainless steel material

## STANDARDS

- Third party certified to ASME A112.18.1/CSA B125.1, and all applicable requirements referenced therein
- Certified to NSF 61/9 & 372
- Complies with California Proposition 65 and with the Federal Safe Drinking Water Act
- **ADA**  for lever handles

## WARRANTY

- Lifetime limited warranty against leaks, drips and finish defects to the original consumer purchaser
- 5 year warranty if used in commercial installations

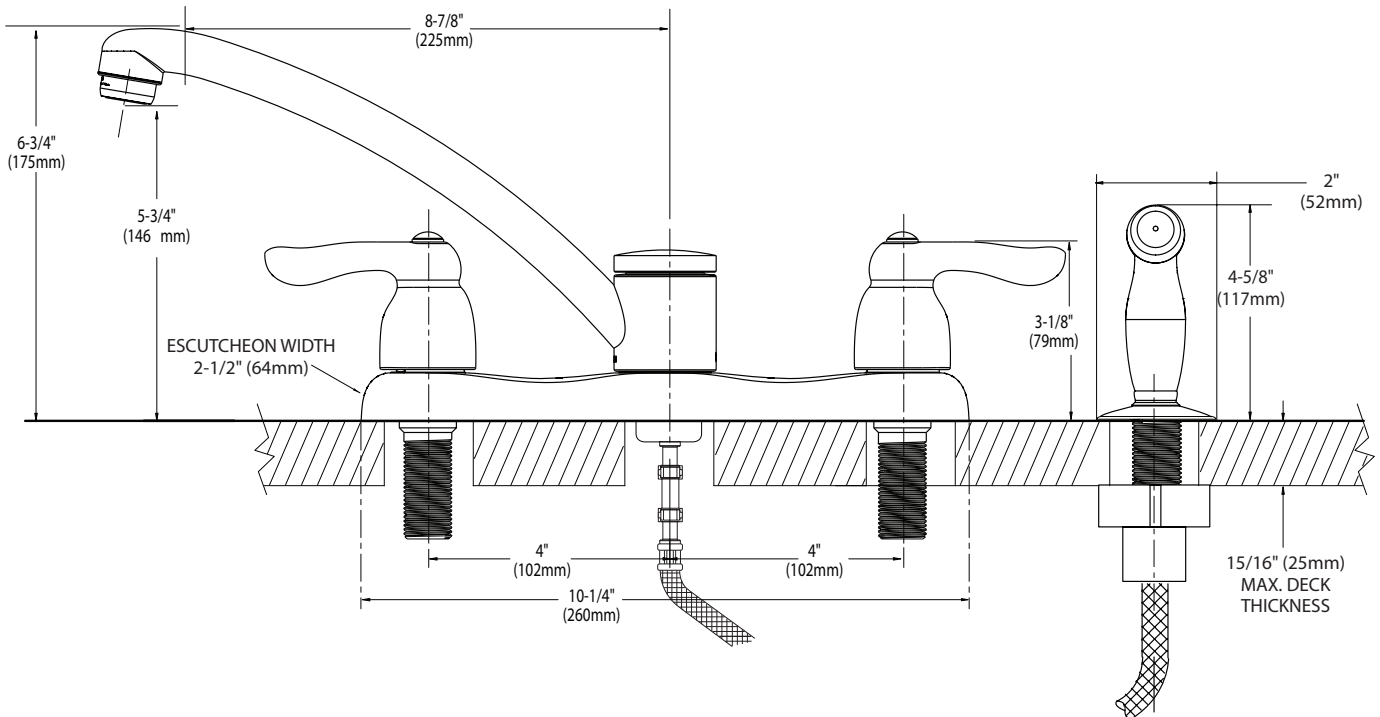


## CHATEAU® Two-Handle Kitchen Faucet

**Model:** 7907 with side spray

**Model:** 7906 less side spray

**NOTE:** THIS FAUCET IS DESIGNED TO BE INSTALLED THROUGH HOLES - 1" MIN. DIA. AND ON 4" CENTERS



## CRITICAL DIMENSIONS

(DO NOT SCALE)

The use of aerator part 116711 reduces flow to a maximum of 1.5 gpm (5.7L/min.)



Buy it for looks. Buy it for life.®

# Specifications

## DESCRIPTION

- Metal construction with chrome plated finish
- 1/2" IPS connections will accept standard ball nose connection for 3/8" tubing
- Includes hose and spray

## OPERATION

- Lever style handles

## FLOW

- Aerator is limited to 2.0 gpm (7.6 L/min) at 60 psi

## CARTRIDGE

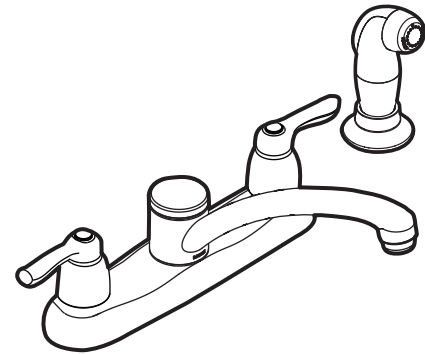
- 1224 cartridge design
- Nonmetallic and stainless steel material

## STANDARDS

- Third party certified to ASME A112.18.1/CSA B125.1, and all applicable requirements referenced therein
- Certified to NSF 61/9 & 372
- Complies with California Proposition 65 and with the Federal Safe Drinking Water Act

## WARRANTY

- Lifetime limited warranty against leaks, drips and finish defects to the original consumer purchaser
- 5 year warranty if used in commercial installations



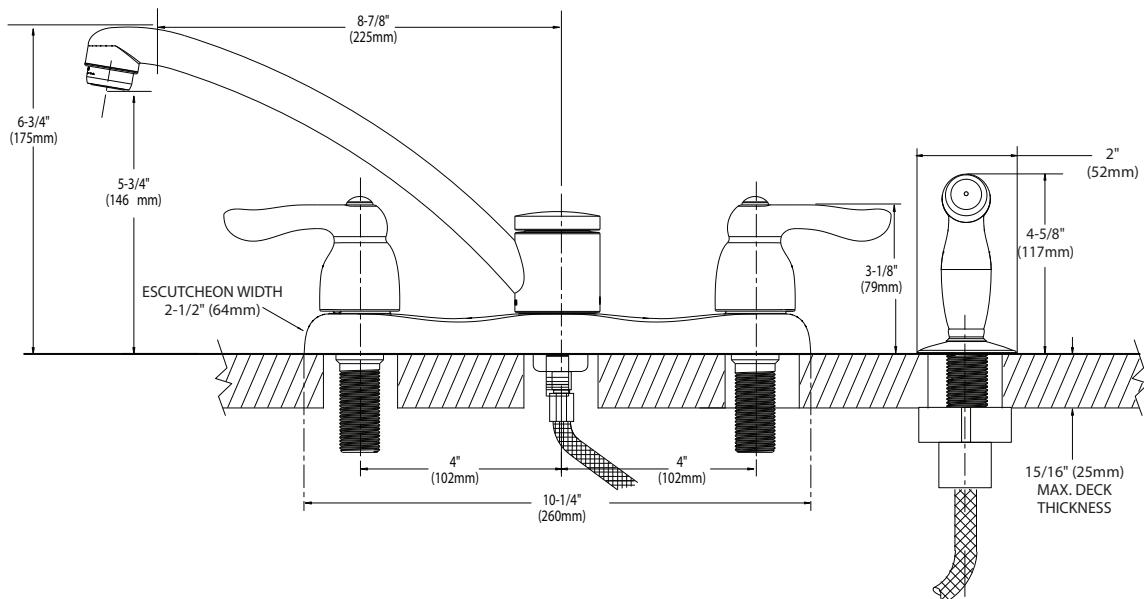
## CHATEAU®

### Two-Handle Kitchen Faucet

**Model:** 7907 with side spray

**Model:** 7906 less side spray

**NOTE:** Designed to be installed through 4 holes - 1" min. dia. and on 4" centers



## CRITICAL DIMENSIONS

(DO NOT SCALE)

The use of aerator part 116711 reduces flow to a maximum of 1.5 gpm (5.7L/min.)