



Buy it for looks. Buy it for life.®

## Specifications

### DESCRIPTION

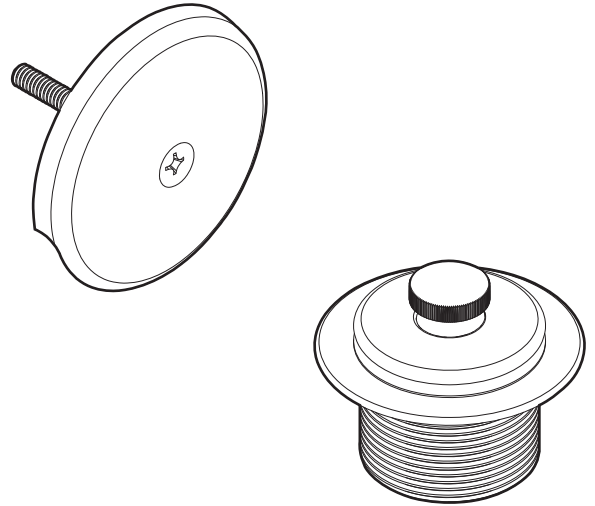
- Metal construction with various finishes identified by suffix
- Push-N-Lock trim
- All metal trim
- Push to close, pull to drain
- Fits 1-1/2" threaded drains

### STANDARDS

- Third party certified to ASME A112.18.1/CSA B125.1 and all applicable requirements

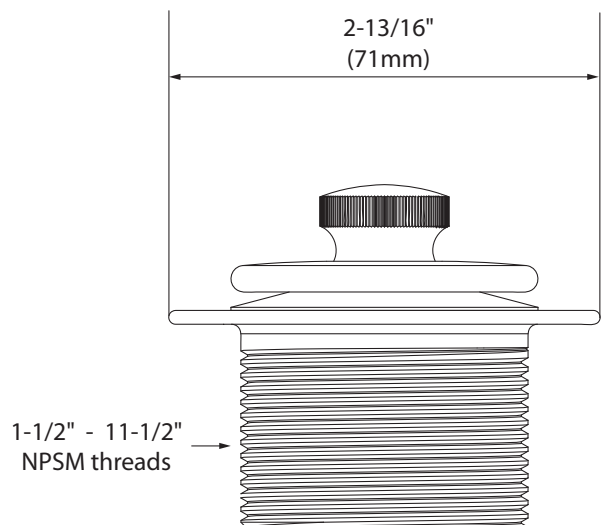
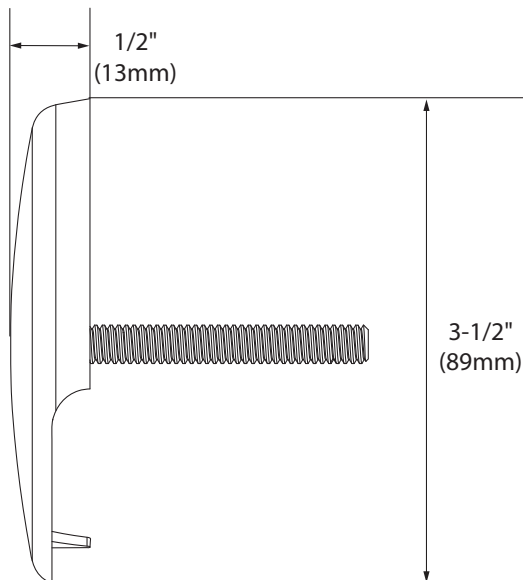
### WARRANTY

- Lifetime limited warranty against finish defects to the original consumer purchaser
- 5 year warranty if used in commercial installations



### BATH WASTE

Model: T90331 series



### CRITICAL DIMENSIONS

(DO NOT SCALE)