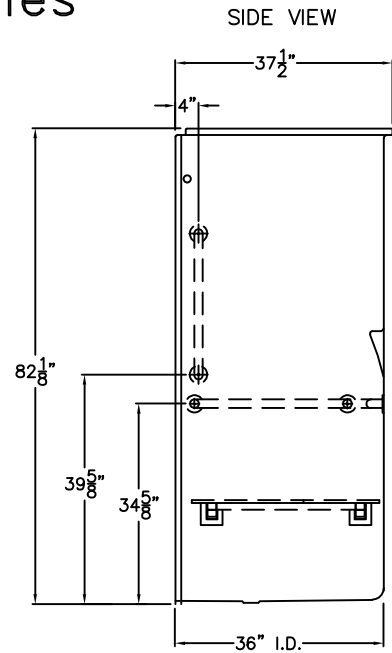
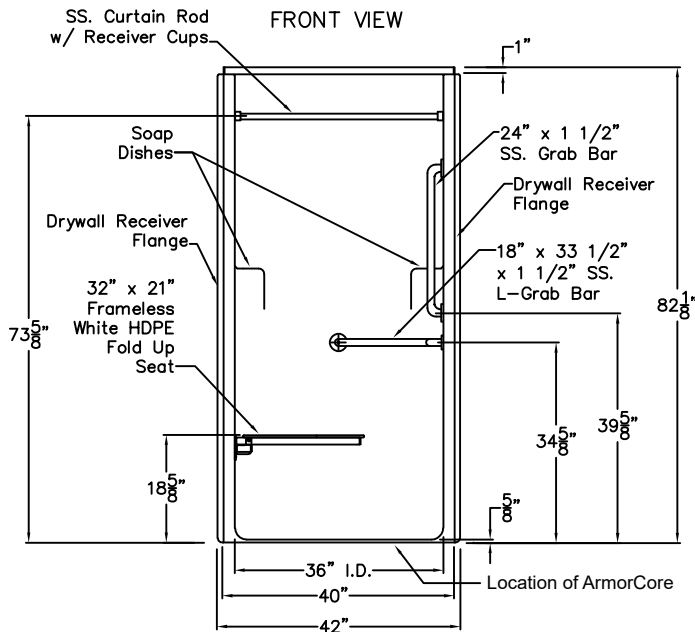


# Special Needs Series

## SUBMITTAL DATA



### Transfer Shower Stall

The shower enclosure shall be MAAX model QSI 3682 BF right or left. Finished surface shall be of a sanitary grade applied acrylic. The base shall be attached to the sump of the unit in such a manner to form an integral part with an inner and outer coating of polyester resin. The unit shall have outside dimensions of 39" x 37 1/2" x 82". Unit complies with UPC, CSA B45.5, ADA, ANSI A117.1, HUD-UM73, ANSI Z124.1.2, and Home Innovation Research Lab.

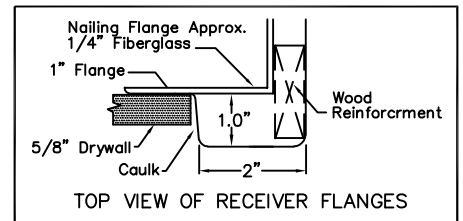
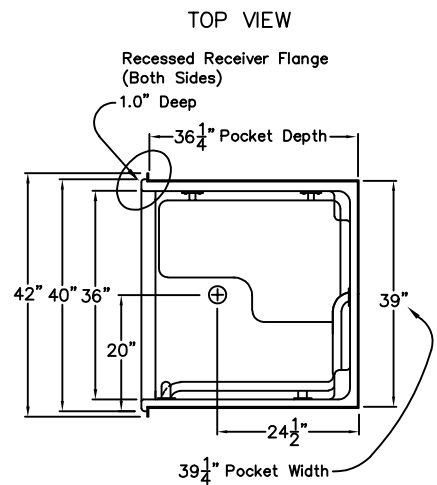
The enclosure shall be equipped with the following installed accessories:

- 1) One 18" x 33 1/2" x 1 1/2" diameter stainless steel horizontal L-grab bar,
- 2) One 24" x 1 1/2" diameter 18 gauge stainless steel grab bar vertical on the valve wall, both with 1 1/2" statute clearance, mounted with stainless steel bolts, and secured from the rear with 3" x 3" x 11 gauge metal mounting plates,
- 3) 32" x 21" frameless white HDPE fold up seat,
- 4) Molded recessed receiver flange on both sides,
- 4) Molded corner soap dishes,
- 5) One inch diameter stainless steel curtain rod with receiver cups,
- 6) Factory installed Easy Base,
- 7) 5/8" threshold.

- Available accessories: 8) Green anti-bacterial shower curtain with hooks, 9) White weighted shower curtain with hook, 10) Recessed soap dish, 11) Nurses call box drilling, 12) Valve package.

This unit features the outside dimensions of 39" of overall width. This does not allow for full enclosure of the bolts that are used to secure the bars and seat in place. This may require the need to notch studs to allow for bolt clearance for installation. For a dry wall enclosed fire wall installation, adjustment of the wallboard may be necessary to provide clearance of the bolts while maintaining the integrity of the drywall fire wall enclosure.

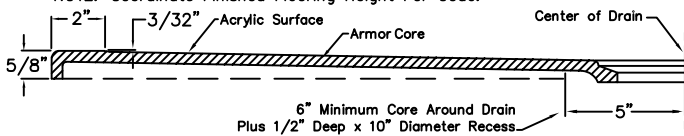
NOTE: THIS UNIT WILL NOT ACCEPT A DOOR!



DUE TO THE NATURE OF THE MATERIALS DIMENSIONS MAY VARY ± 1/4"

#### Detail of 5/8" Threshold

NOTE: Coordinate Finished Flooring Height For Code.



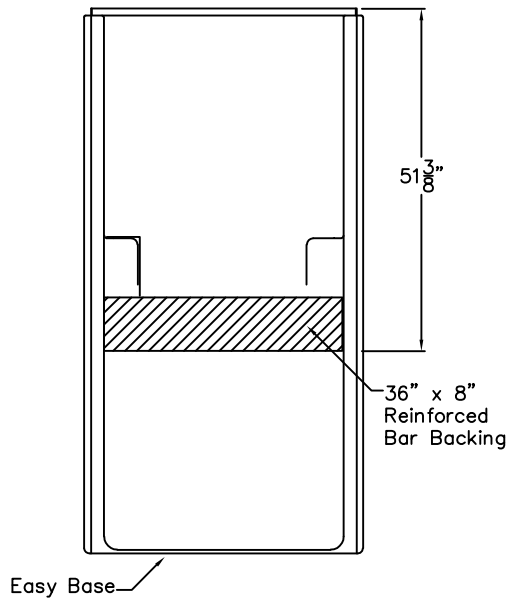
Drawing#:

MX QSI-3637-BF 0.625 in. RRF (3-Piece)

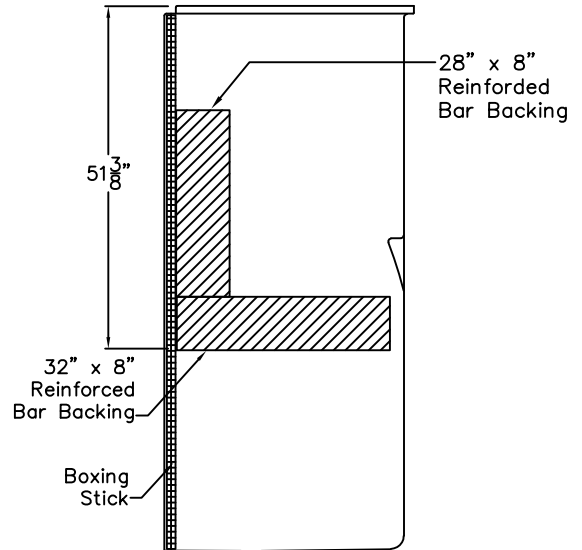
# Backing Placement Drawing

## SUBMITTAL DATA

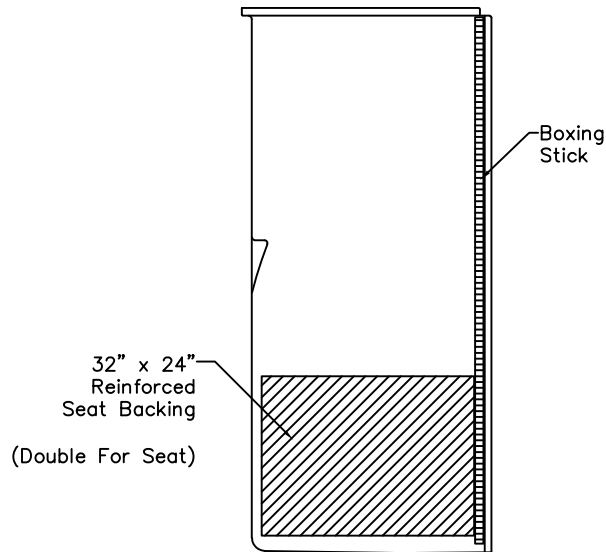
FRONT VIEW



SIDE VIEW



SEAT SIDE VIEW



DUE TO THE NATURE OF THE MATERIALS  
DIMENSIONS MAY VARY  $\pm 1/4$ "