

Class 125 3% Nickel Iron Body Gate Valves

Bolted Bonnet • Outside Screw and Yoke • Solid Wedge • Stainless Steel Trim

150 PSI/10.3 bar non-shock cold working pressure from -20°F to 150°F/-29°C to 66°C*

Maximum working temperature 350°F/177°C at 100 PSI/6.9 bar

***100 PSI/6.9 bar saturated steam to 338°F/170°C**

****50 PSI/3.4 bar saturated steam to 297°F/147°C**

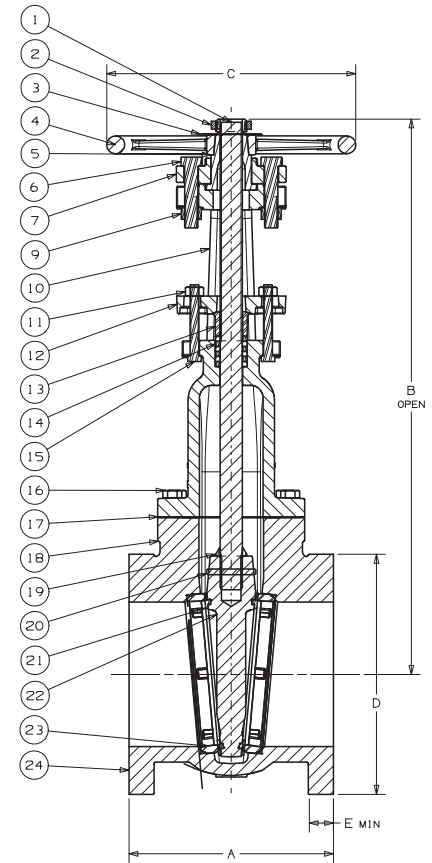
CONFORMS TO MSS SP-70

MATERIAL LIST

PART	SPECIFICATION
1. Handwheel Nut	Ductile Iron ASTM A536
2. Identification Tag	Aluminum
3. Handwheel	Fabricated Steel
4. Yoke Bushing	Ductile Iron ASTM A536
5. Split Yoke Bolt	Steel ASTM A307/SAE J429
6. Split Yoke Bolt Nut	Steel ASTM A563
7. Yoke	ASTM A126 3% Nickel Iron Class B
8. Gland Follower Nut	Steel ASTM A307/SAE J429
9. Gland Follower	Ductile Iron ASTM A536
10. Yoke Bolt	Steel ASTM A307/SAE J429
11. Yoke Bolt Nut	Steel ASTM A563
12. Gland Follower Bolt	Steel ASTM A307/SAE J429
13. Packing Gland	ASTM A276 S31600SS
14. Packing	Wire Reinforced Carbon Yarn with Resilient Core and Zinc Finish
15. Backseat Bushing	ASTM A351 CF8M
16. Bonnet	ASTM A126 3% Nickel Iron Class B
17. Stem	ASTM A276 S31600SS
18. Body Bolt	Steel ASTM A307/SAE J429
19. Body Bolt Nut	Steel ASTM A563
20. Body Gasket	Graphite/SST
21. Body	ASTM A126 3% Nickel Iron Class B
22. Wedge	ASTM A126 3% Nickel Iron Class B
23. Seat Ring	ASTM A351 CF8M
24. Wedge Ring	ASTM A351 CF8M
25. Swing Nut	Steel ASTM A563
26. Swing Bolt	Steel ASTM A307/SAE J429
27. Grease Fitting	Alemite 1743B (not shown)
28. Stem Collar	ASTM A276 S31600SS (not shown)
29. Wedge Pin	ASTM A276 S31600SS (not shown)
30. Wedge Nut	Ductile Iron ASTM A536 (not shown)



F-617-13
Flanged



F-617-13
Flg x Flg

DIMENSIONS—WEIGHTS—QUANTITIES

Size	Dimensions										Weight		
	A		B		C		D		E		Lbs.	Kg.	
In.	mm.	In.	mm.	In.	mm.	In.	mm.	In.	mm.	In.	mm.		
14	350	15.00	381	65.50	1664	24.00	610	21.00	533	1.38	35	890	404
16	400	16.00	406	74.50	1892	24.00	610	23.50	597	1.44	37	1252	568
18	450	17.00	432	82.50	2096	24.00	610	25.00	635	1.56	40	1596	725
20	500	18.00	457	91.00	2311	30.00	762	27.50	699	1.69	43	2023	918
24	600	20.00	508	107.50	2731	30.00	762	32.00	813	1.88	48	2907	1320

* 14" and 16"

** 18", 20" and 24"

FREEZING WEATHER PRECAUTION: Subsequent to testing a piping system, valves should be left in an open position to allow complete drainage.

◆ For detailed Operating Pressure, refer to Pressure Temperature Chart on page 116.



WARNING: This product can expose you to chemicals including lead, which is known to the State of California to cause cancer and birth defects or other reproductive harm. For more information go to www.P65Warnings.ca.gov.

Visit our website for the most current information.