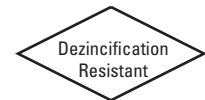


NIBCO® Press System Bronze Ball Valves

Two-Piece Body • Full Port • Stainless Trim • Blowout-Proof Stem • Vented Ball • Press Ends Leak Detection



250 PSI/17.2 bar non-shock cold working pressure
250°F maximum operating temperature

CONFORMS TO MSS SP-110

MATERIAL LIST

PART	SPECIFICATION
1. Body	Bronze ASTM B584 Alloy C84400
2. Body End	Bronze ASTM B584 Alloy C84400
3. Press End Adapter (2)	Wrot Copper ASTM B75 Alloy C12200
4. Ball (vented)	Stainless Steel ASTM A276 Type 316 or ASTM A351 Type CF8M
5. Seat Ring (2)	Reinforced PTFE
6. Boss Seal O-Ring (2)	EPDM
7. O-Ring (2)	EPDM
8. Packing	PTFE
9. Pack Gland	Brass ASTM B16 Alloy C36000
10. Stem	Stainless Steel ASTM A276 Alloy S31600
11. Handle Nut	300 Series Stainless Steel
12. Thrust Washer	Reinforced PTFE
13. Handle Assembly	Zinc Plated Steel Clear Chromate Plastisol Coated

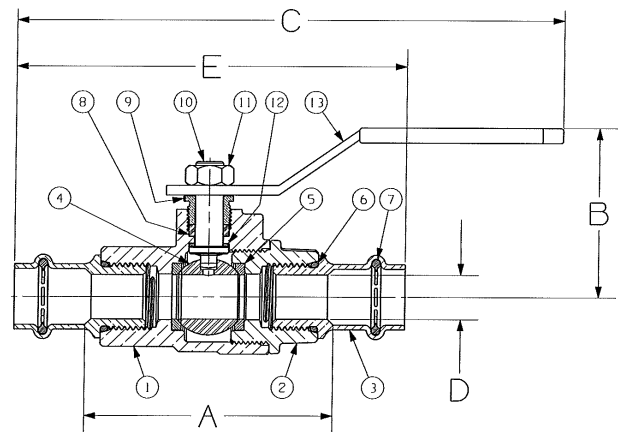


PC-585-70-66

Press x Press
Female End

Handle Options:

- Stainless steel lever
- NIB-SEAL®
- Locking lever
- Stainless steel locking lever
- Memory stop
- Extended lever w/ memory stop
- Round
- Wing
- Horizontal and vertical chain



PC-585-70-66
P x P

DIMENSIONS—WEIGHTS

SIZE	Dimensions					Weight							
	A	B	C	D	E	Lbs.	Kg.						
1/2"	13	2.76	70	1.90	48	6.00	152	.50	13	4.15	105	.77	.35
3/4"	19	3.28	83	2.28	58	7.29	185	.75	19	5.05	128	1.55	.70
1"	25	3.59	91	2.40	61	7.34	186	1.00	25	5.36	136	2.29	1.04
1 1/4"	32	4.62	117	3.05	77	10.04	255	1.25	32	6.64	169	3.80	1.72
1 1/2"	38	5.23	133	3.30	84	10.72	272	1.50	38	8.00	203	5.60	2.54
2"	50	5.63	143	3.51	89	11.05	281	2.00	50	8.65	220	8.69	3.94

NIBCO Press System ball valves are designed to meet MSS SP-110 with the exception of the end connection. Ball valves are down-rated from 600 PSI CWP to 250 PSI CWP to match the NIBCO Press System. Male and female press-to-connect ends are new technology not yet covered in the current edition of this specification.

WARNING: This product can expose you to chemicals including lead, which is known to the State of California to cause cancer and birth defects or other reproductive harm. For more information go to www.P65Warnings.ca.gov.

Visit our website for the most current information.