
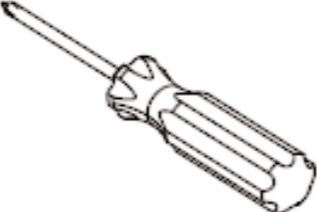

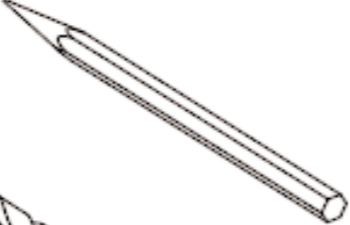

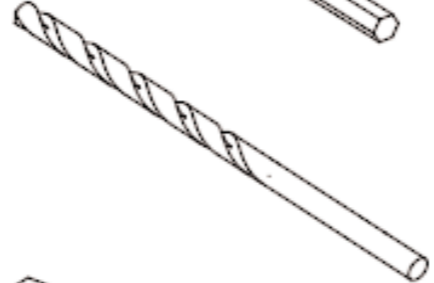

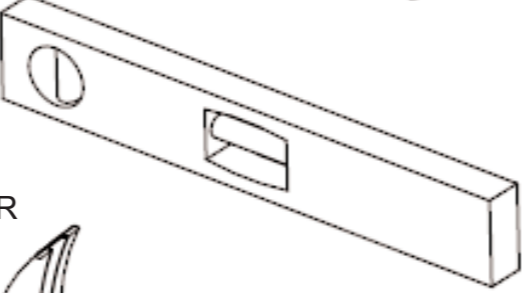

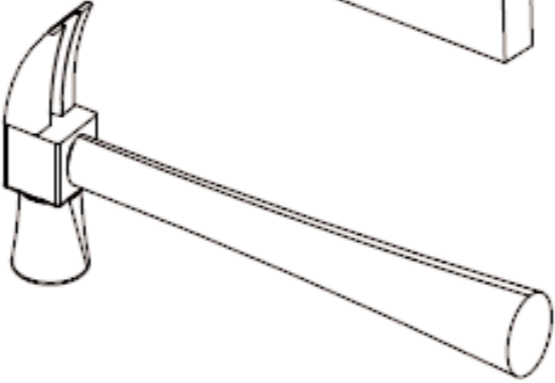
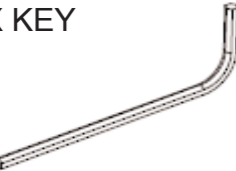
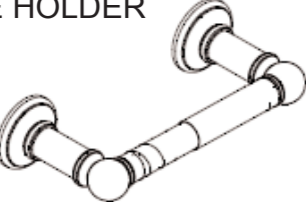


ITEMS INCLUDED		TOOLS REQUIRED	
DRY WALL ANCHOR	 X 4	PHILLIPS SCREW DRIVER	
TILE ANCHOR	 X 4	PEN / PENCIL	
#8 SCREW	 X 4	1/4" (6 mm) DRILL	
MOUNTING FLANGE	 X 2	LEVEL SET	
M5X5 SET SCREW	 X 2	HAMMER	
2.5 MM HEX KEY	 X 1		
DOUBLE POST TISSUE HOLDER	 X 1		

ITHACA

INSTALLATION INSTRUCTIONS

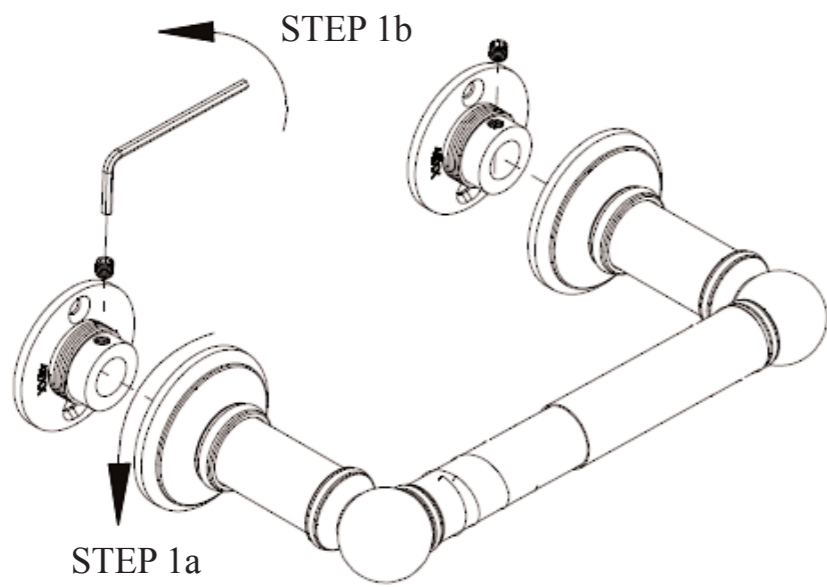
38-28

DOUBLE POST TISSUE HOLDER

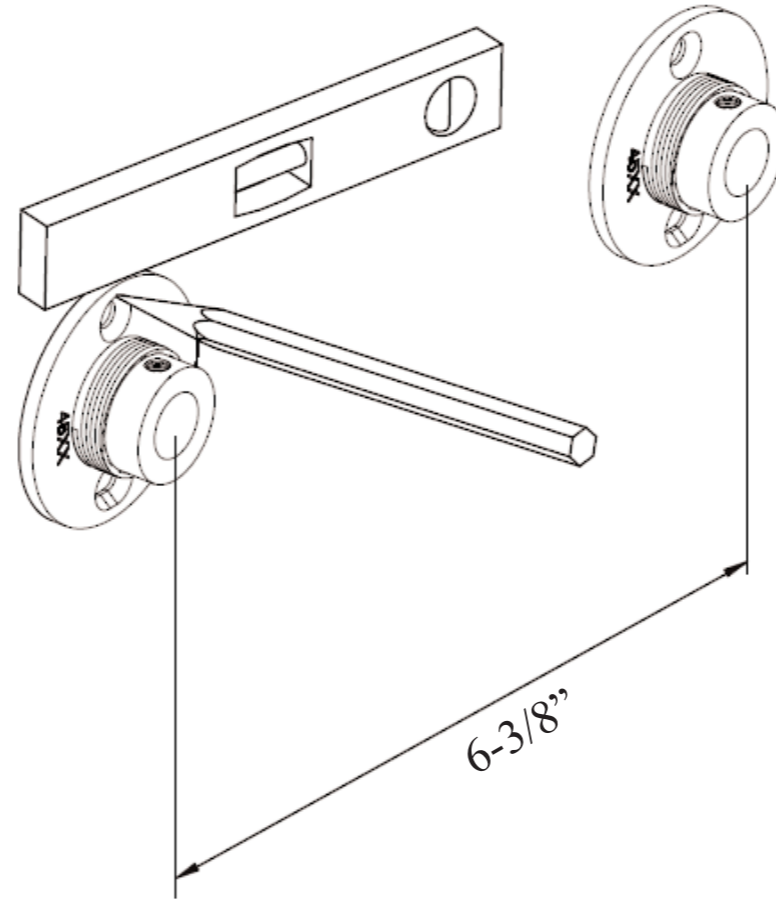
NEWPORT BRASS
 Flawless Beauty. From Faucet to Finish.™

2001 CARNEGIE AVE, SANTA ANA CA 92705
 (949) 417-5207
 WWW.NEWPORTBRASS.COM

① REMOVE MOUNTING FLANGES



② ALIGN MOUNTING FLANGES AND MARK LOCATION



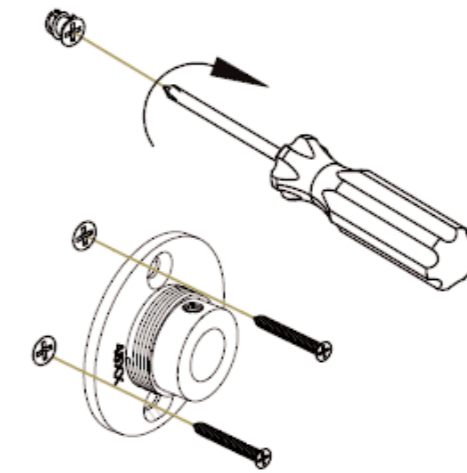
③ DRY WALL INSTALLATION

DO NOT DRILL



USE MARKS
MADE IN STEP 2

TAP IN UNTIL
THREADS ARE
REACHED

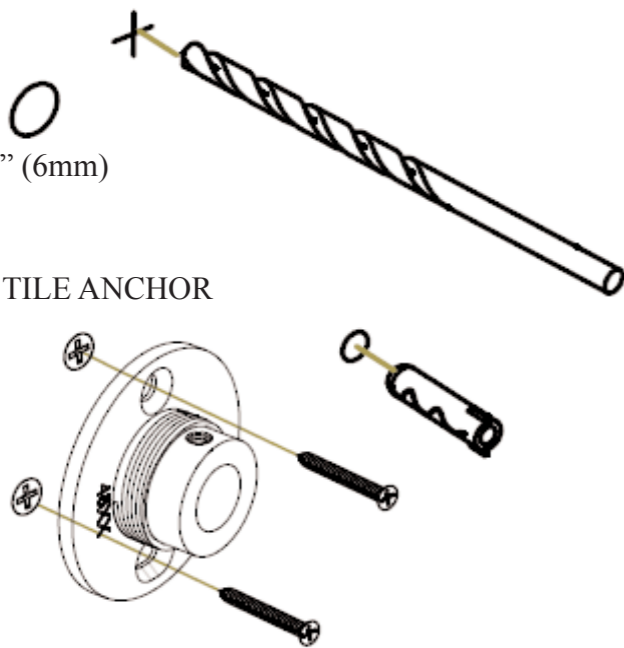


④ TILE OR SOLID WALL INSTALLATION

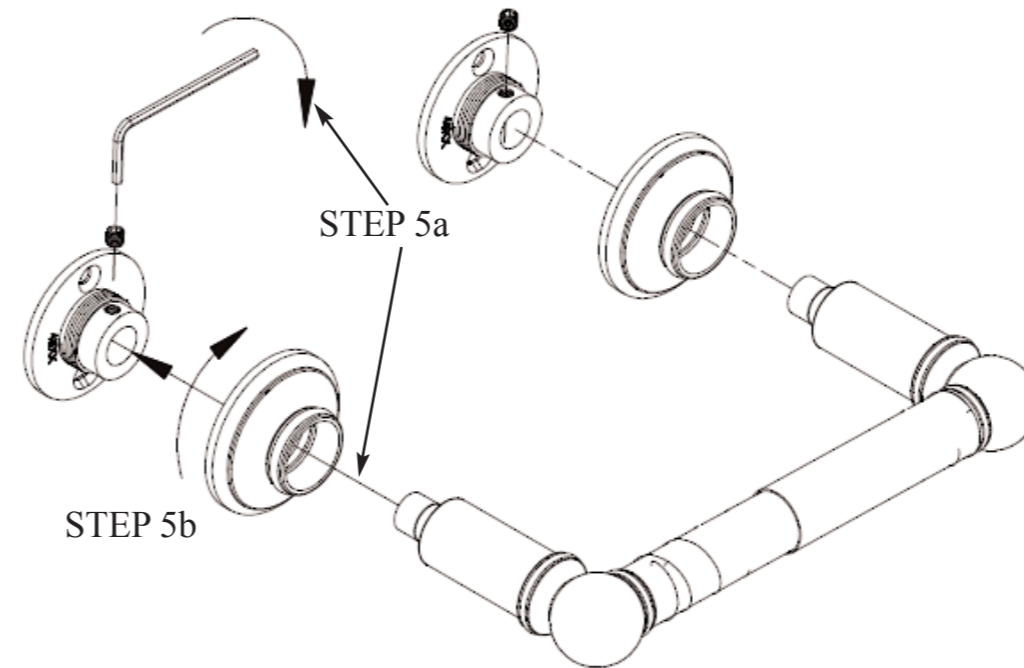
USE MARKS MADE IN STEP 2

DRILL 1/4" (6mm)

INSERT TILE ANCHOR



⑤ INSTALL PRODUCT ONTO FLANGES



SECURE WITH SET SCREW