

CHESTERFIELD

Soap/Lotion Dispenser

124

Also 124-6, 50931, 125-9



Features

- Solid brass construction
- Two piece brazed spout design
- Base with integral O-ring deck seal
- Removable spout for above deck refilling
- 13 fluid oz. (384 ml) capacity bottle included
- 3-5/16" (9.2 cm) spout height at outlet
- 2-15/16" (7.5 cm) spout reach (c-c)
- Complements Chesterfield Series

Codes / Standards Compliance

Meets or exceeds the following at date of manufacture:

- All applicable US Federal and State material regulations

Colors / Finishes

- 10B: Oil Rubbed Bronze
- 15: Polished Nickel
- 15S: Satin Nickel - PVD
- 26: Polished Chrome
- Other: Refer to the Newport Brass catalog for additional color/finish options.



124

124-6

50931

125-9

Specified Model

Model	Description	Colors Finishes
124	Soap/Lotion Dispenser	<input type="checkbox"/> 10B <input type="checkbox"/> 15 <input type="checkbox"/> 15S <input type="checkbox"/> 26 <input type="checkbox"/> Other
124-6	Soap / Lotion Replacement Pump Head	<input type="checkbox"/> 10B <input type="checkbox"/> 15 <input type="checkbox"/> 15S <input type="checkbox"/> 26 <input type="checkbox"/> Other
50931	Soap / Lotion Replacement Pump	<input type="checkbox"/> NA
125-9	Soap / Lotion Replacement Bottle	<input type="checkbox"/> NA

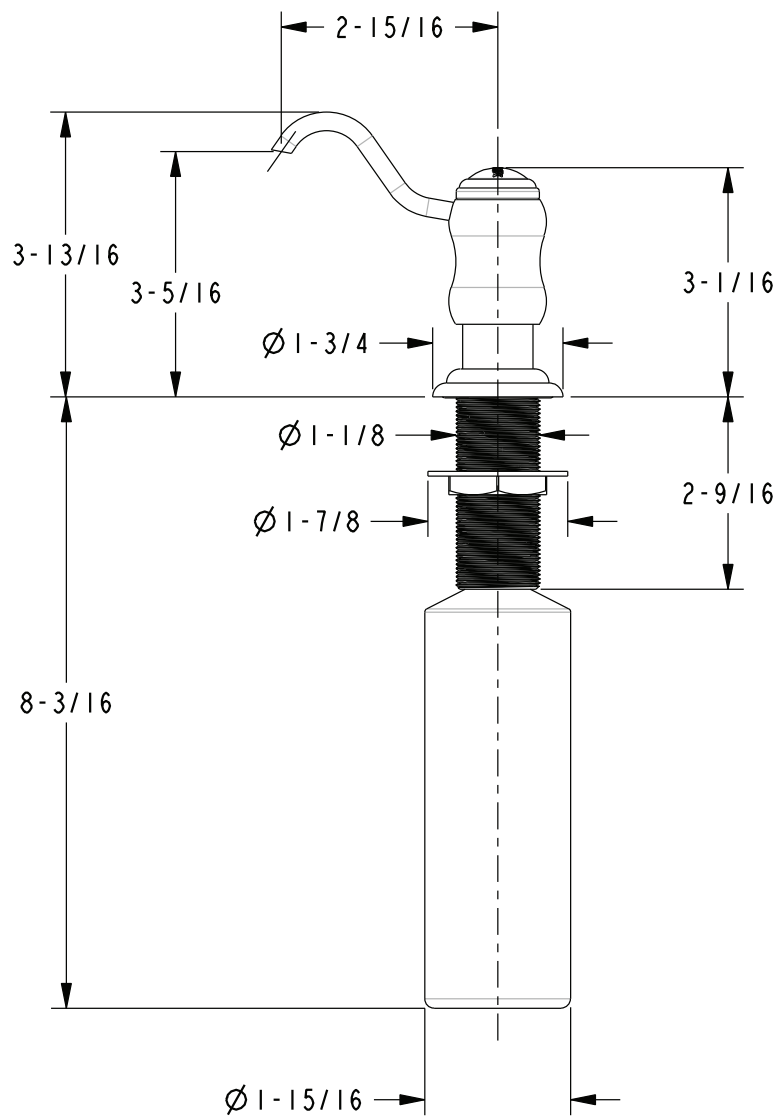
* Note: Requires 1-1/4" to 1-11/16" through hole. Accommodates 2-1/4" maximum deck thickness

Product Specification Add "Color / Finish" suffix to Model number, below.

The Soap / Lotion Dispenser shall be made of solid brass construction. Dispenser shall incorporate a removable top spout assembly for easy refilling access. Dispenser shall incorporate a refillable 13 fluid ounce (384 ml) capacity container. Product shall incorporate a 3-5/16" (9.2 cm) spout height at outlet and a 2-15/16" (7.5 cm) spout reach (c-c). Soap / Lotion Dispenser shall be Newport Brass Model 124/_____.

124

PRODUCT DIMENSIONS *(Units are in inches)*



Chesterfield Soap/Lotion Dispenser 124