

DORRANCE

Features

- Solid brass construction
- 6.43" (16.3 cm) spout height at outlet
- 7.88" (20.0 cm) spout reach (c-c)
- Intended for use with Newport Brass rough valve kit (Required Accessory) which incorporates the following:
 - Brass valve bodies and quick-connect spout fitting
 - Quarter-turn washerless ceramic disc 3/4" valve cartridges
- Diverter valve and hoses as needed for handshower
- ADA Compliant
- 1.8 GPM (6.8 LPM) Max, Handshower Only

Roman Tub with Handshower Deck Trim

3-2977



Codes / Standards Compliance

Meets or exceeds the following at date of manufacture:

- ASME A112.18.1/CSA B125.1
- IAMPO/cUPC
- IPC
- ADA & ICC/ANSI A117.1
- Energy Policy Act of 1992
- EPA WaterSense
- California Energy Commission
- ASME A112.18.3 (Back Flow)
- All applicable US Federal and State material regulations

Colors / Finishes

- 10B: Oil Rubbed Bronze
- 15: Polished Nickel
- 15S: Satin Nickel - PVD
- 26: Polished Chrome
- Other: Refer to the Newport Brass catalog for additional color/finish options.

Specified Model

Model	Description	Colors Finishes
3-2977	Roman Tub with Handshower Deck Trim	<input type="checkbox"/> 10B <input type="checkbox"/> 15 <input type="checkbox"/> 15S <input type="checkbox"/> 26 <input type="checkbox"/> Other

Required Accessory

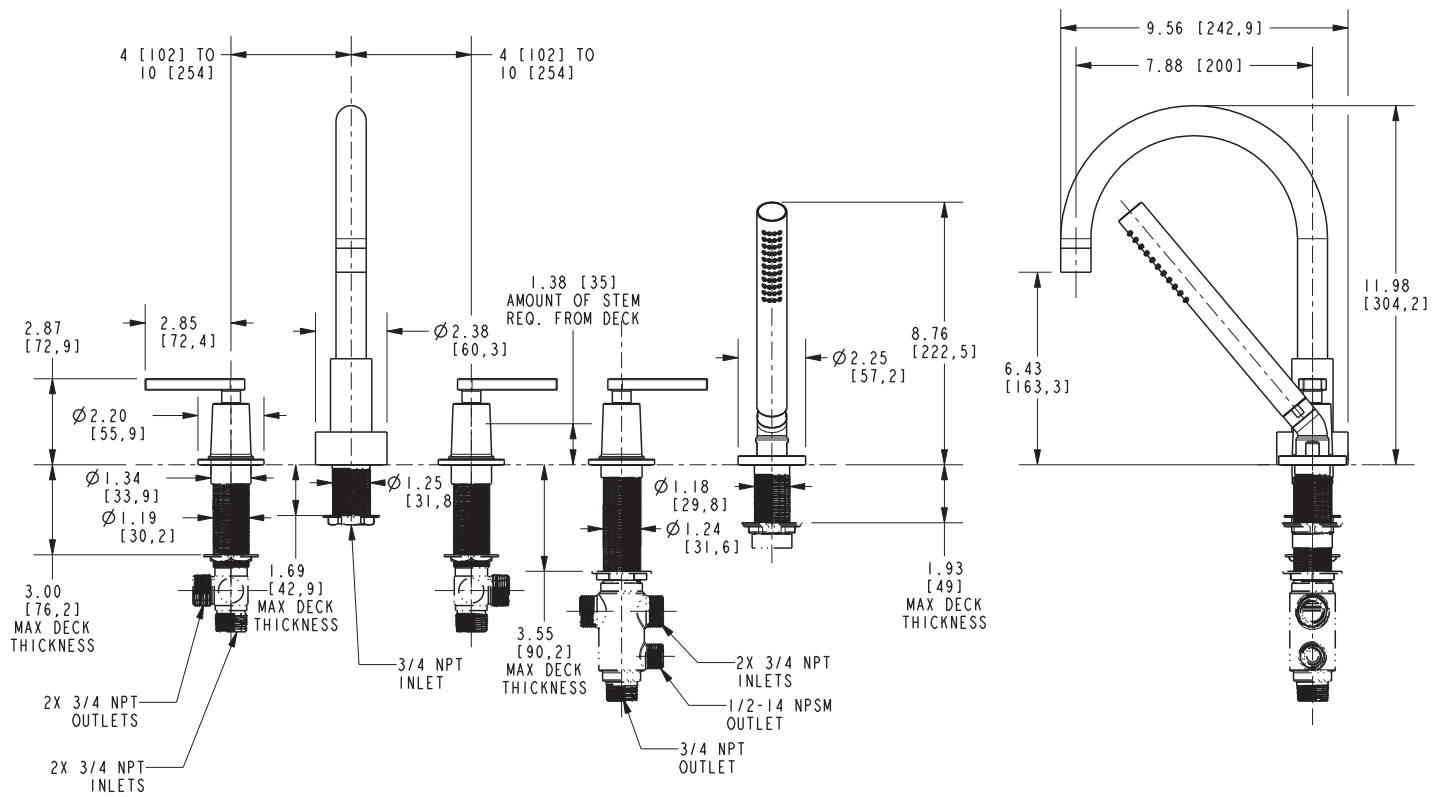
System Element	Deck Tub Valve
Description	3-Valve Assembly With Quick Connect Spout Adapter
Inlet/Outlet Size	3/4"
Part Number	1-666
Image	

Product Specification Add "Color / Finish" suffix to Model number, below.

The Roman Tub with Handshower Deck Trim shall be made of solid brass construction. Roman Tub with Handshower Deck Trim shall incorporate lever handles. Product shall incorporate a 6.43" (16.3 cm) spout height at outlet and a 7.88" (20.0 cm) spout reach (c-c). Product shall feature a solid brass handshower with a 1.8 gallons (6.7 liters) per minute maximum flow rate. Rough valve kit shall incorporate brass valve bodies with quarter-turn washerless ceramic disc 3/4" valve cartridges, a quick-connect spout fitting and a diverter valve with hoses as needed for handshower. Roman Tub with Handshower Deck Trim shall be Newport Brass Model 3-2977/____ and Newport Brass rough valve kit shall be 1-666.

3-2977

PRODUCT DIMENSIONS *(Units are in inches)*



Dorrance Roman Tub Deck Trim
3-2977

NEWPORT BRASS
 Flawless Beauty. From Faucet to Finish.™