



**BARRIER-FREE VERSACOOLER® II
WITH VERSAFILTER & HANDS FREE VERSAFILLER®**

Energy and Water Conservation Technology

PGF8EBF, PGFEFB

Suggested Specification

Model PGF8EBF shall deliver 8.0 gph of 50° F degree water at 90° F ambient and 80° F inlet water. Model PGF8EBF shall include PG8AC and the VersaFiller Sports Bottle Filler with hands free activation; lower unit shall have four antimicrobial copper push pads to activate the manual flow of water for the cooler. VersaFiller components contain Freshfield®, which utilizes a silver-based antimicrobial compound that reduces the growth of micro-organisms and mildew to protect the surfaces from discoloration, odors and degradation. Basin shall be designed to eliminate splashing and standing water. Shall have VersaFilter for taste, odor, lead and chlorine reduction. Water saver bubbler reduce waste water by 50% and shall have flexible guard and operate between 20 and 100 PSI. Cabinet finish shall be sandstone on galvanized steel or brushed stainless steel. Shall use R-134a refrigerant. Shall comply with ANSI 117.1 and ADA. Shall be listed by Underwriters Laboratories to US and Canadian standards. Shall comply with ANSI/NSF 61 and NSF/ANSI 372.

Models

- PGF8EBF delivers 8.0 gallons of chilled drinking water per hour.
- PGFEFB is a non-refrigerated fountain.

Standard Features

- VersaFilter for taste, odor, lead and chlorine reduction
- Built-in 100 micron strainer stops particles before they enter the waterway.
- Waterways are Lead-Free in materials & construction
- Flexible one-piece water saver bubbler
- Stainless steel top and heavy duty galvanized steel frame
- High efficiency cooling system and refrigerant R-134a
- Four antimicrobial copper push pads
- External stream height adjustment on lower unit
- Hand free VersaFiller
- Built in filter monitor and bottle counter

Finishes

- Standard cabinet finish: Sandstone powder coated paint on galvanized steel
- Optional finishes (at additional cost): Stainless steel and optional greystone powder coated paint



Installation

- Prior to roughing consult with local, state and federal codes for proper mounting height
- Shipped with complete instructions and wall mounting bracket
- Removable side and front panels provide easy access for installation.

Options (at additional cost)

- One piece chrome plated brass bubbler (036700-001)
- Flow switch for fountain (038035-001)
- Filter replacement cartridge (033879-001)

Limited 5-Year Warranty

(Continental limits of the United States and Canada) Five years on the sealed refrigeration system and most component parts. Detailed warranty certificate enclosed with each water cooler; sample available upon request.

Export Warranty

One year on components parts. Detailed warranty certificate enclosed with each drinking fountain; sample copy available upon request.

Certifications/Compliance

- Antimicrobial Copper - EPA Registration No. 89187-3
- Oasis International Electric Water Coolers are listed by Underwriters Laboratories Inc. and comply with both U.S. and Canadian Requirements.
- Product Certified to NSF/ANSI Standard 61-G & 372 and conforms with the lead content requirements for "Lead Free" plumbing as defined by California, Vermont, Maryland, and Louisiana state laws and the U.S. Safe Drinking Water Act.
- This unit complies with ARI standard 1010 Testing, Operating and Rating requirements (electric water coolers only).
- These water coolers comply with the requirements of ADA (Americans with Disabilities Act) when properly installed.



Model	50° F Drinking Water 90° F Ambient Air Temp*			Hot 'N Cold Model	115 Volts, 60 HZ			Glass Filler Acc. Option	Cabinet Color Finish	Net Wt. Approx
	Rated Capacity GHP	Base Rate GHP	Pre-Cooler		Compr. HP	Full Load Amps	Rated Watts			
PGF8EBF	8.0	8.0	No	No	1/4	4.4	450	Yes	Yes	60 Lbs
PGFEFB	Fountain Only							Yes	Yes	26 Lbs

* Industry Standard Rating Condition 80° F inlet water temperature

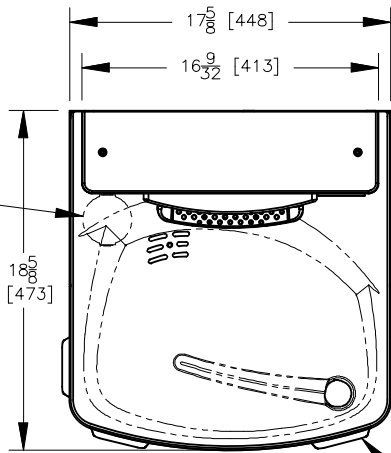
Specifications subject to change without notice

OASIS® VERSACOOLER® II

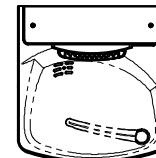
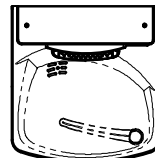
NOTES:

1. TRAP, STOP VALVE AND ELECTRICAL OUTLET NOT FURNISHED.
2. ALLOW 4 INCHES [102 MM] MIN. PER SIDE FOR VENTILATION.
- *3. RECOMMENDED ADULT BARRIER FREE HEIGHT INSTALLATION SHOWN. REDUCE HEIGHT BY 3 INCHES FOR INSTALLATIONS USED PRIMARILY BY CHILDREN AGES 12 AND YOUNGER. UNIT SHALL ALSO HAVE A MINIMUM CLEAR FLOOR SPACE 30[760] BY 48[1220]. ADJUST VERTICAL DIMENSIONS AS REQ'D TO COMPLY WITH FEDERAL, STATE, AND LOCAL CODES.
4. 115V GROUNDED NORTH AMERICAN DUPLEX RECEPTACLE REQUIRED. THIS DRINKING WATER COOLER IS INTENDED TO BE CONNECTED TO A 20A MINIMUM GROUND FAULT CIRCUIT INTERRUPTING (GFCI) DEVICE TO MEET UL REQUIREMENTS.
5. ALL DIMENSIONS ARE IN INCHES. DIMENSIONS IN BRACKETS [] ARE IN MILLIMETERS.

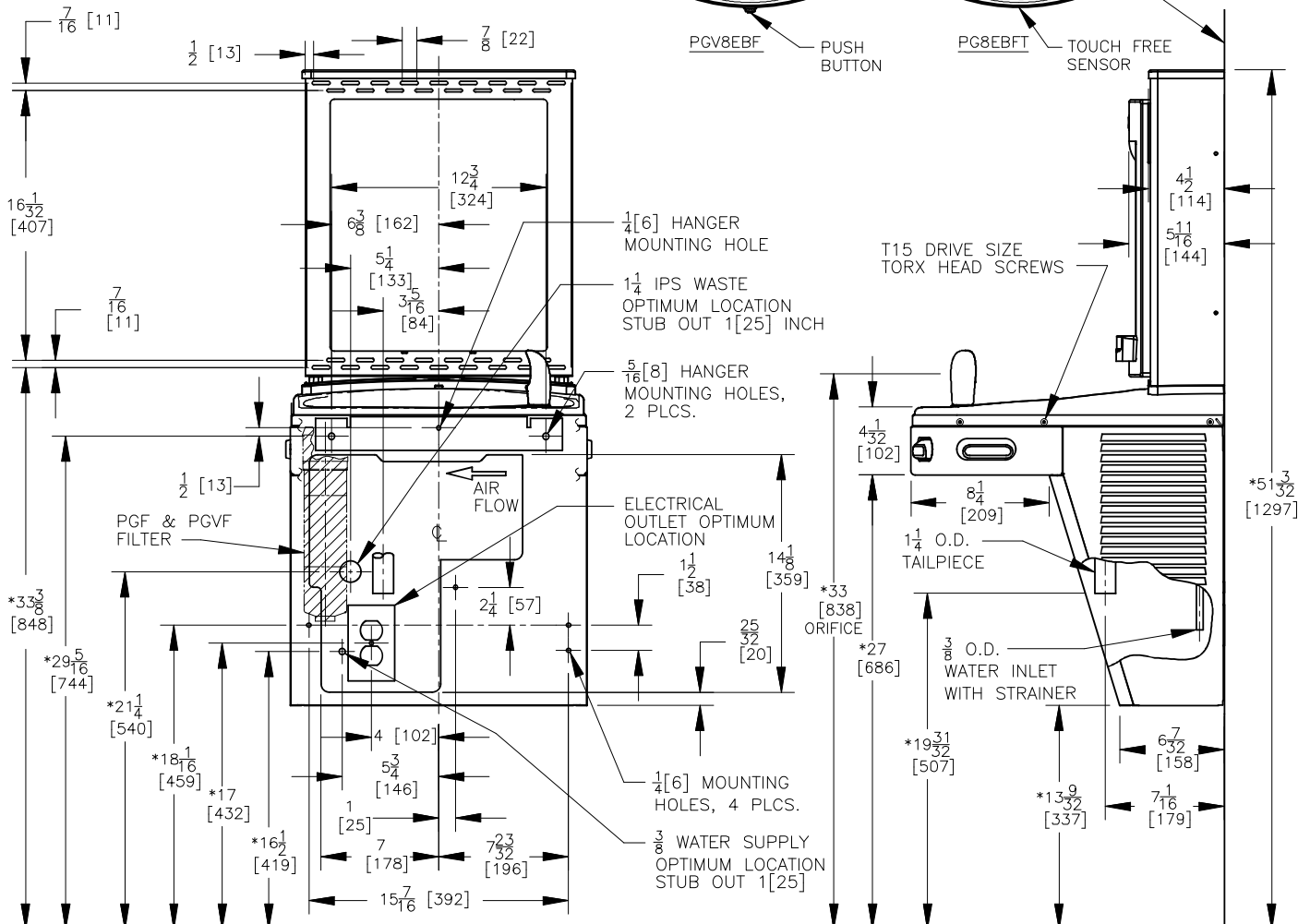
PGF & PGVF SERIES FILTER LOCATION



PUSH PADS
NON-TOUCH FREE
MODELS ONLY

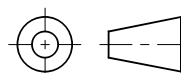


FINISHED WALL



FINISHED FLOOR

THIRD ANGLE PROJECTION



ROUGHING-IN AND DIMENSIONAL DRAWING

