



Technical Sheet

K-12 Retrofit Bottle Filler

- PWFSBF-K12

Suggested Specification

When retrofitted to either the PG8AC or P8AM, the PWFSBF-K12 bottle filler has independent manual activation. Shall include antimicrobial copper push button to reduce the growth of microorganisms and mildew. Cabinet is a single piece polymer. Shall come complete with 3,000 gallon lead reduction filter.

When retrofitted to either the PG8AC or P8AM the PWFSBF-K12 satisfies ANSI A117.1 and ADA requirements when properly installed. Units also meet guidelines for children's accessibility providing the floor to orifice height is 30 inches and proper clear floor space is provided for frontal approach. Shall be listed by Underwriters Laboratories to US and Canadian standards. Shall comply with NSF/ANSI 61 and NSF/ANSI 372. Filter is certified to NSF/ANSI 53 and 42 for lead, cyst, chlorine, taste, and odor reduction.

Standard Features

- 3,000 gallon certified lead reduction filter
- Waterways are lead-free in materials & construction
- Heavy duty galvanized steel frame
- Surface mount frame assembly
- Bottle filler has independent mechanical activation

Finishes

- Single piece polymer cabinet

Installation

- Prior to roughing consult with local, state, and federal codes for proper mounting height.
- Shipped with complete instructions and wall mounting brackets.

Limited 1-Year Warranty

(Continental limits of the United States and Canada)
One year on components parts. Detailed warranty certificate enclosed with each water cooler; sample available upon request.

Export Warranty

One year on components parts. Detailed warranty certificate enclosed with each drinking fountain; sample copy available upon request.



The PWFSBF-K12 is designed to retrofit to existing OASIS PG8AC and P8AM pressure cooler models. Models that this unit will not retrofit to are the electric eye P8AC and P8AM units. Units with optional glass fillers must have the glass filler disconnected and removed.

Certifications/Compliance

- Antimicrobial Copper - EPA Registration No. 89187-3
- Certified to UL 399 and CAN/CSA C22.2 No.120 (electric water coolers only)
- Product Certified to NSF/ANSI Standard 61-G & 372 and conforms with the lead content requirements for "Lead Free" plumbing as defined by California, Vermont, Maryland, and Louisiana state laws and the U.S. Safe Drinking Water Act
- These water coolers comply with the requirements of ADA (Americans with Disabilities Act) when properly installed
- Filter is certified to NSF/ANSI 53 and 42 for lead, cyst, chlorine, taste, and odor reduction.



WARNING:
Cancer and Reproductive Harm
www.P65Warnings.ca.gov

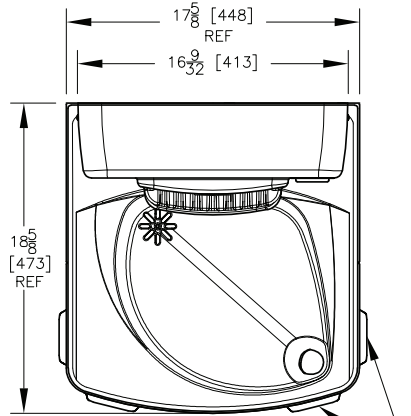


Model	50° F Drinking Water 90° F Ambient Air Temp*			Hot 'N Cold™ Model	115 Volts, 60 HZ			Glass Filler Acc. Option	Cabinet Color Finish	Net Wt. Approx.
	Rated Capacity GPH	Base Rate GPH	Pre-Cooler		Compr. HP	Full Load Amps	Rated Watts			
PWFSBF-K12			No	No				No	Yes	8 Lbs

*Industry standard rating condition 80° F inlet water temperature

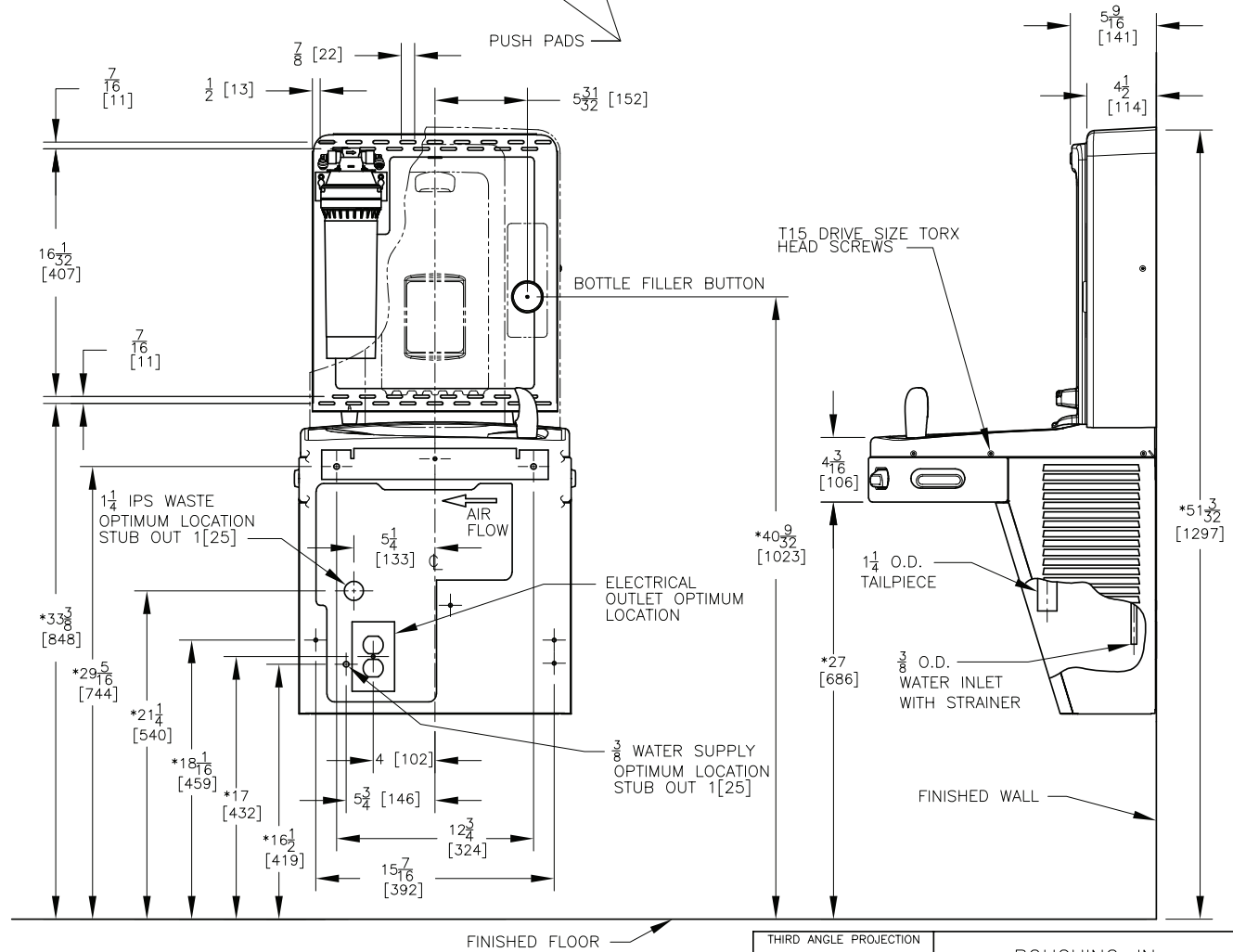
Specifications subject to change without notice

OASIS® PWFSBF-K12 RETROFIT KIT



NOTES:

1. TRAP, STOP VALVE AND ELECTRICAL OUTLET NOT FURNISHED.
2. ALLOW 4 INCHES [102 MM] MIN. PER SIDE FOR VENTILATION.
- *3. RECOMMENDED ADULT BARRIER FREE HEIGHT INSTALLATION SHOWN. REDUCE HEIGHT BY 3 INCHES FOR INSTALLATIONS USED PRIMARILY BY CHILDREN AGES 12 AND YOUNGER. UNIT SHALL ALSO HAVE A MINIMUM CLEAR FLOOR SPACE 30[760] BY 48[1220]. ADJUST VERTICAL DIMENSIONS AS REQ'D TO COMPLY WITH FEDERAL, STATE, AND LOCAL CODES.
4. ALL DIMENSIONS ARE IN INCHES. DIMENSIONS IN BRACKETS [] ARE IN MILLIMETERS.



OASIS INTERNATIONAL

www.oasiscoolers.com

222 East Campus View Blvd.
Columbus, OH 43235

1-800-646-2747