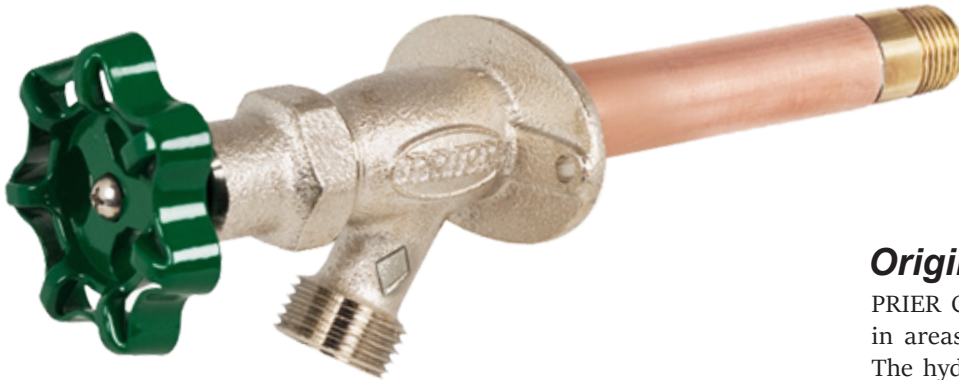




# C-134/234 Series Freezeless Wall Hydrant



## Original Heavy Duty Style

PRIER C-134 provides a year round source of water in areas that are subject to freezing temperatures. The hydrant valve is connected to the supply piping in the heated portion of the structure, eliminating the possibility of freezing. Ordering the C-234 gives you the same style hydrant but with a vandal proof extended lockshield and operating key.

The PRIER C-134 is the original freezeless hydrant that is made in the same heavy pattern fashion that made it famous. It is available from stock in lengths from close coupled to 24". Longer sizes are available upon request.



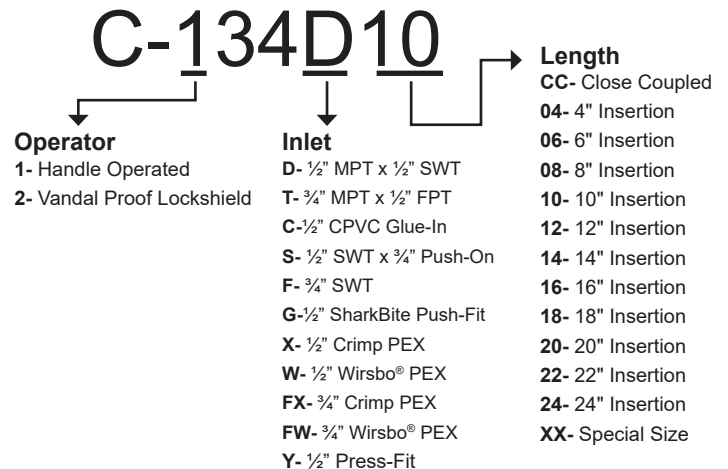
C-234 Loose Key Design

- Residential
- Freezeless
- Metal Handle
- Satin Nickel Plated

## FEATURES

- Wide and enclosed screw holes easily secure mounting screws
- Integral cast flange with built-in drainage pitch
- Solid brass body, valve stem cap, seat and stem ends
- Satin nickel plated body maintains attractive finish
- Stainless steel screws
- Powder coated cast aluminum handle
- Lock shield cap
- AFG teflon with graphite packing for easy maintenance
- Standard "OO" size seat washer
- Each valve air-tested at factory for leak-free quality
- Spout aligning mark with manufacturer's date code

## ORDERING



## INLET STYLES



**D Style**  
1/2" MPT x 1/2" SWT



**T Style**  
3/4" MPT x 1/2" FPT



**C Style**  
1/2" CPVC Glue-In



**S Style**  
1/2" SWT x 3/4" Push-On



**F Style**  
3/4" SWT



**G Style**  
1/2" SharkBite Push-Fit



**X Style**  
1/2" Crimp PEX



**W Style**  
1/2" Wirsbo® PEX



**FX Style**  
3/4" Crimp PEX



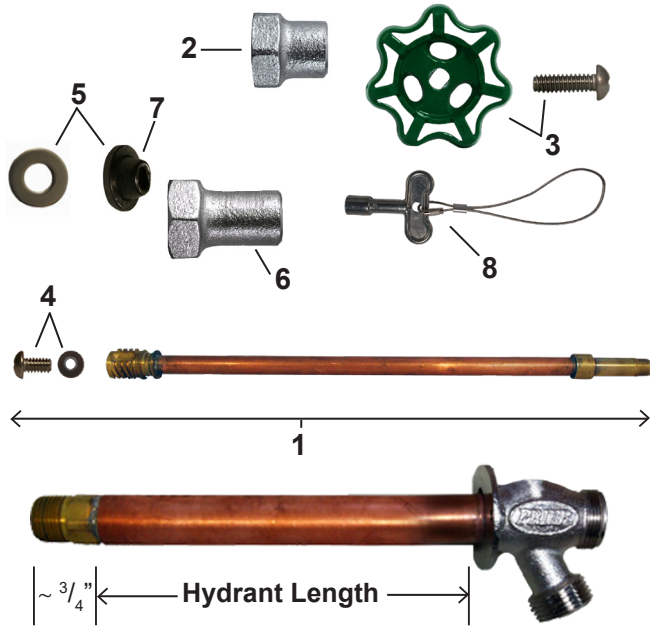
**FW Style**  
3/4" Wirsbo® PEX



**Y Style**  
1/2" Press-Fit



## C-134 REPLACEMENT PARTS



ID	Part No.	Description
1	See Replacement Stems Section	Stem Assembly, Contains: 1, 4
2	300-1008	Valve Stem Cap
3	C-134KT-805	Oval Handle and Screw Kit
4	C-134KT-802	Seat Washer Replacement Kit (00 Beveled)
5	C-134KT-803	Stem Packing Replacement Kit
6	310-1015	Valve Stem Cap for Loose Key
7	390-1001	Stem Packing Only
8	C-108KT-808	Oval Style Key on Lanyard
	C-134KT-804	Handle to Loose Key Conversion Kit Contains: 5, 6, 8
	C-234KT-804	Loose Key to Handle Conversion Kit Contains: 2, 3, 5
	C-134KT-807	C-134 Overhaul Kit Contains: 3, 4, 5

## REPLACEMENT STEMS



**G Style Manufactured April 2013 - Present**

Part No.	Style	Description	Stem Length
P-231-11CC	G	Close Coupled Stem for C-134 Hydrant	4 <sup>3</sup> / <sub>8</sub> " OAL
P-231-1104	G	Stem for 4" C-134 Hydrant	6 <sup>7</sup> / <sub>8</sub> " OAL
P-231-1106	G	Stem for 6" C-134 Hydrant	8 <sup>7</sup> / <sub>8</sub> " OAL
P-231-1108	G	Stem for 8" C-134 Hydrant	10 <sup>7</sup> / <sub>8</sub> " OAL
P-231-1110	G	Stem for 10" C-134 Hydrant	12 <sup>7</sup> / <sub>8</sub> " OAL
P-231-1112	G	Stem for 12" C-134 Hydrant	14 <sup>7</sup> / <sub>8</sub> " OAL
P-231-1114	G	Stem for 14" C-134 Hydrant	16 <sup>7</sup> / <sub>8</sub> " OAL
P-231-1116	G	Stem for 16" C-134 Hydrant	18 <sup>7</sup> / <sub>8</sub> " OAL
P-231-1118	G	Stem for 18" C-134 Hydrant	20 <sup>7</sup> / <sub>8</sub> " OAL
P-231-1120	G	Stem for 20" C-134 Hydrant	22 <sup>7</sup> / <sub>8</sub> " OAL
P-231-1122	G	Stem for 22" C-134 Hydrant	24 <sup>7</sup> / <sub>8</sub> " OAL
P-231-1124	G	Stem for 24" C-134 Hydrant	26 <sup>7</sup> / <sub>8</sub> " OAL
P-231-11US	G	*Universal Replacement Stem for C-134 Hydrant	Up to 16 <sup>7</sup> / <sub>8</sub> " OAL

*\*\*For stems manufactured before 2013, see C-134 Series retired style spec sheet at PRIER.com. PRIER universal stems are replacement stems for any size from close coupled to 14." The P-231-11US Universal Stem requires cutting the rod to proper length and soldering the brass stem end to the rod as directed in instructions.*