



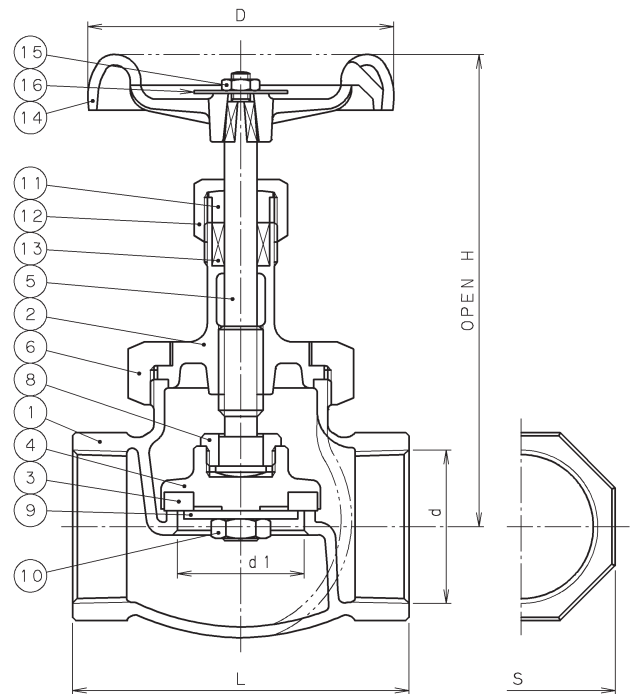
Figure # 221
Bronze Threaded Globe Valve

Product Features

- 150# WSP / 300# WOG
- Bronze Body
- Threaded Ends
- Union Bonnet
- PTFE Disc
- MSS-SP-80

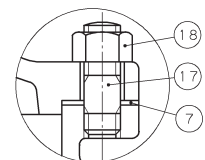
Materials & Specifications

Item	Description	Material	Specification
1	Body	Cast Bronze	B62-C83600
2	Bonnet	1" - 3" Bronze	B62-C83600
2	Bonnet	3/8" - 3/4" Brass	B124-C37700
3	Soft Seat	2-1/2" - 3" PTFE	PTFE
3	Soft Seat	3/8" - 2" R-PTFE	R-PTFE
4	Disc Holder	1-1/2" - 3" Bronze	B62-C83600
4	Disc Holder	1-1/4" Brass	B283-C37700
4	Disc Holder	3/8" - 1" Brass	B124-C37700
5	Stem	Brass	DR Alloy
6	Union Nut	1-1/4" - 3" Bronze	B62-C83600
6	Union Nut	3/8" - 1" Brass	B283-C37700
7	Gasket	3/8" - 1" Compressed	T#1995
8	Lock Nut	1-1/4" - 3" Brass	B16-C36000
9	Seat Holder	1-1/4" - 3" Brass	B36-C26000
10	Disc Nut	Brass	B16-C36000
11	Gland	3/4" - 3" Brass	B124-C37700
12	Packing Nut	2-1/2" - 3" Bronze	B62-C83600
12	Packing Nut	3/8" - 2" Brass	B283-C37700
13	Gland packing	Plastic/Graphite	T#2996NA
14	Handwheel	Alum. Alloy	B85-SC114A
15	Wheel Nut	Zinc Plated	A563-A
16	Name Plate	Aluminum	B209-1100
17	Bonnet Bolt	Steel- 2-1/2 - 3"	A36
18	Bonnet Bolt Nut	2-1/2" - 3" Steel	B16-C36000



Dimensions & Weights (inches-lbs.)

Size	3/8	1/2	3/4	1	1-1/4	1-1/2	2	2-1/2	3
D	2.48	2.76	3.15	3.54	3.94	4.33	4.92	5.51	6.30
d1	.49	.59	.79	.98	1.26	1.58	1.97	2.52	3.15
H	4.09	3.86	4.72	5.12	5.98	6.65	7.60	9.96	11.02
L	2.28	2.44	2.84	3.23	3.62	4.17	4.92	6.69	7.87
S	1.02	1.10	1.38	1.69	2.05	2.28	2.84	3.62	4.21
Cv	2	3.5	6.5	12	21	30	49	87	148
Wt.- lbs.	.88	.90	1.43	2.01	3.11	4.61	7.01	1.28	25.75



Sizes 2-1/2" to 4"

