



# SEACHROME

SEACHROME CORPORATION

Phone: (800) 955-2476

Fax: (800) 444-3380

www.seachrome.com

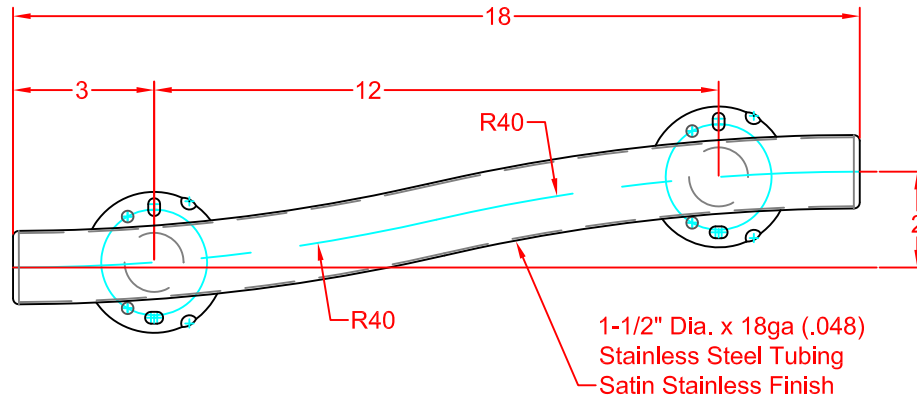
Description:

GW-3518-HCR-SS  
Wave Bar 18"  
(Satin Stainless Finish)

Customer:

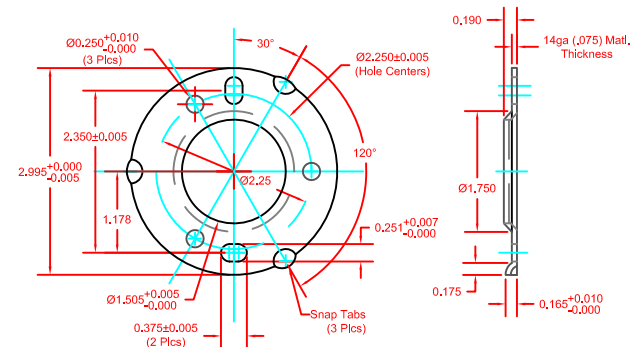
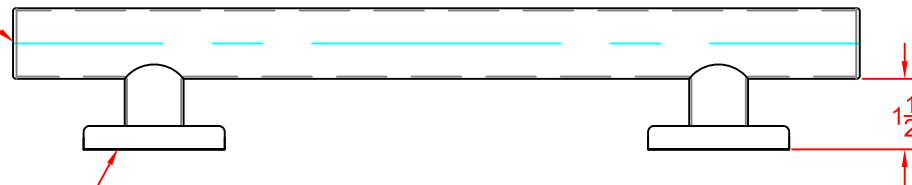
Customer Part #

05-21-2012



Welded  
End Caps

"QCR1" Plain Design  
Flange Covers



IHCR5-B-Flange  
Detail

This drawing and the information contained herein is proprietary to Seachrome Corp. and shall not be reproduced, copied or disclosed in whole, or part, or used for manufacturing or for any other purpose without the written permission of Seachrome Corporation.







# SEACHROME

SEACHROME CORPORATION

Phone: (800) 955-2476

Fax: (800) 444-3380

www.seachrome.com

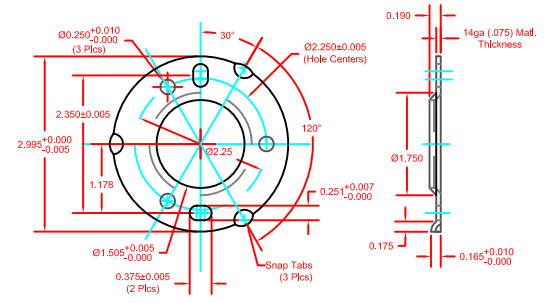
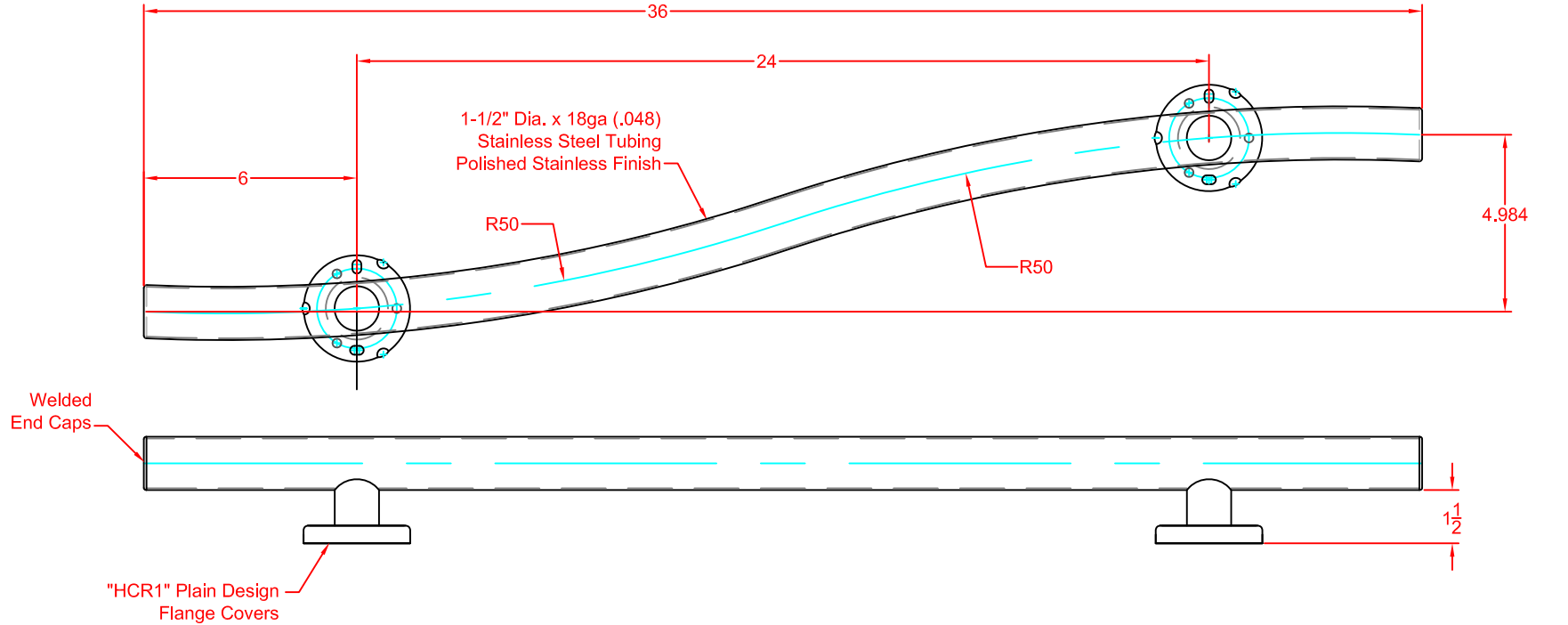
Description:

GW-3536-HCR-PS  
36" Wave Bar  
1-1/2" Dia. x 18ga S.S. Tubing  
(Polished Stainless Finish)

Customer:

Customer Part #

05-21-2012



IHCR5-B-Flange  
Detail

This drawing and the information contained herein is proprietary to Seachrome Corp. and shall not be reproduced, copied or disclosed in whole, or part, or used for manufacturing or for any other purpose without the written permission of Seachrome Corporation.

# SEACHROME

SEACHROME CORPORATION

Phone: (800) 955-2476

Fax: (800) 444-3380

www.seachrome.com

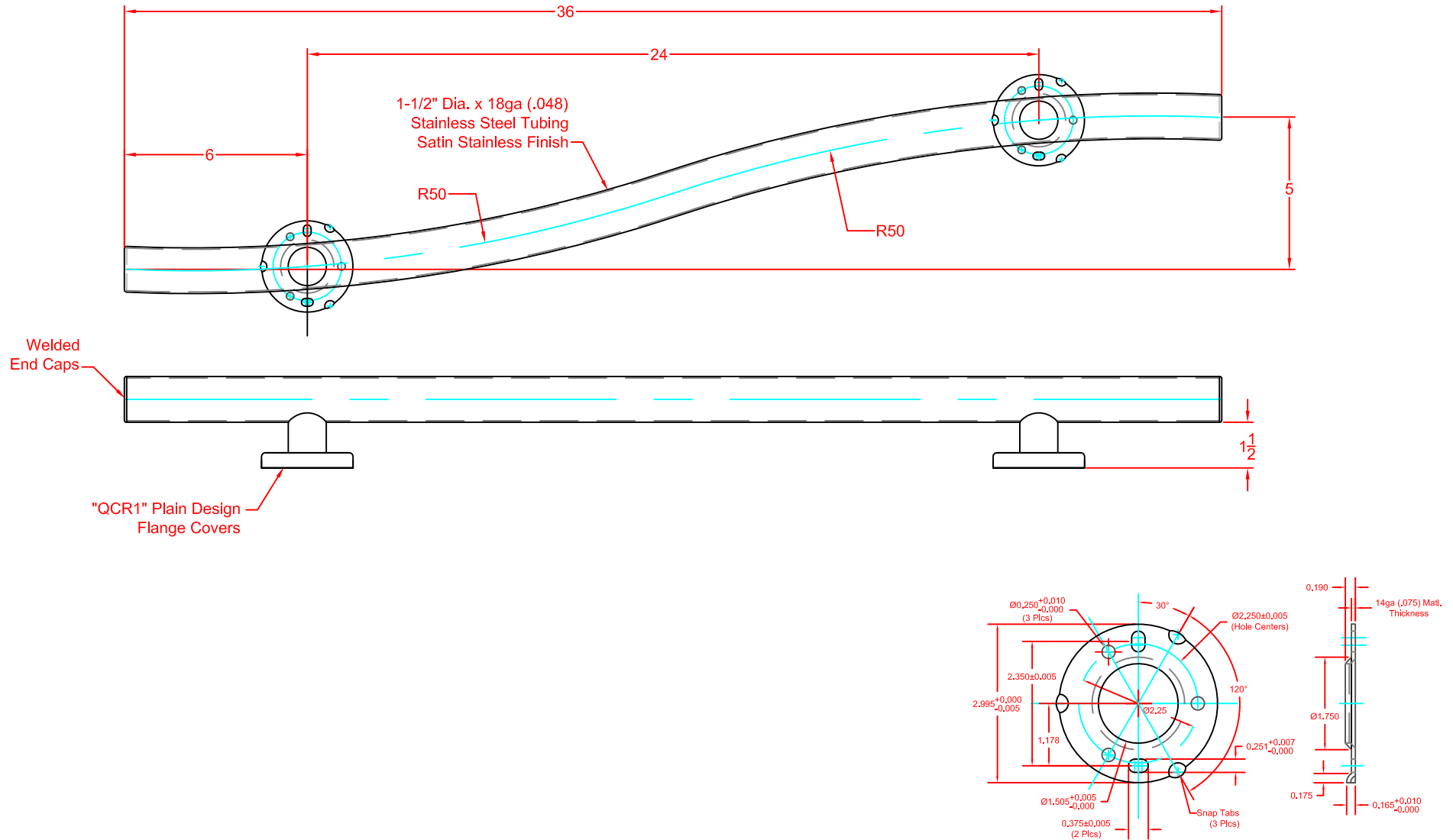
Description:

GW-3536-HCR-SS  
36" Wave Bar  
1-1/2" Dia. x 18ga S.S. Tubing  
(Satin Stainless Finish)

Customer:

Customer Part #

05-21-2012



This drawing and the information contained herein is proprietary to Seachrome Corp. and shall not be reproduced, copied or disclosed in whole, or part, or used for manufacturing or for any other purpose without the written permission of Seachrome Corporation.

IHCR5-B-Flange  
Detail

# SEACHROME

SEACHROME CORPORATION

Phone: (800) 955-2476

Fax: (800) 444-3380

www.seachrome.com

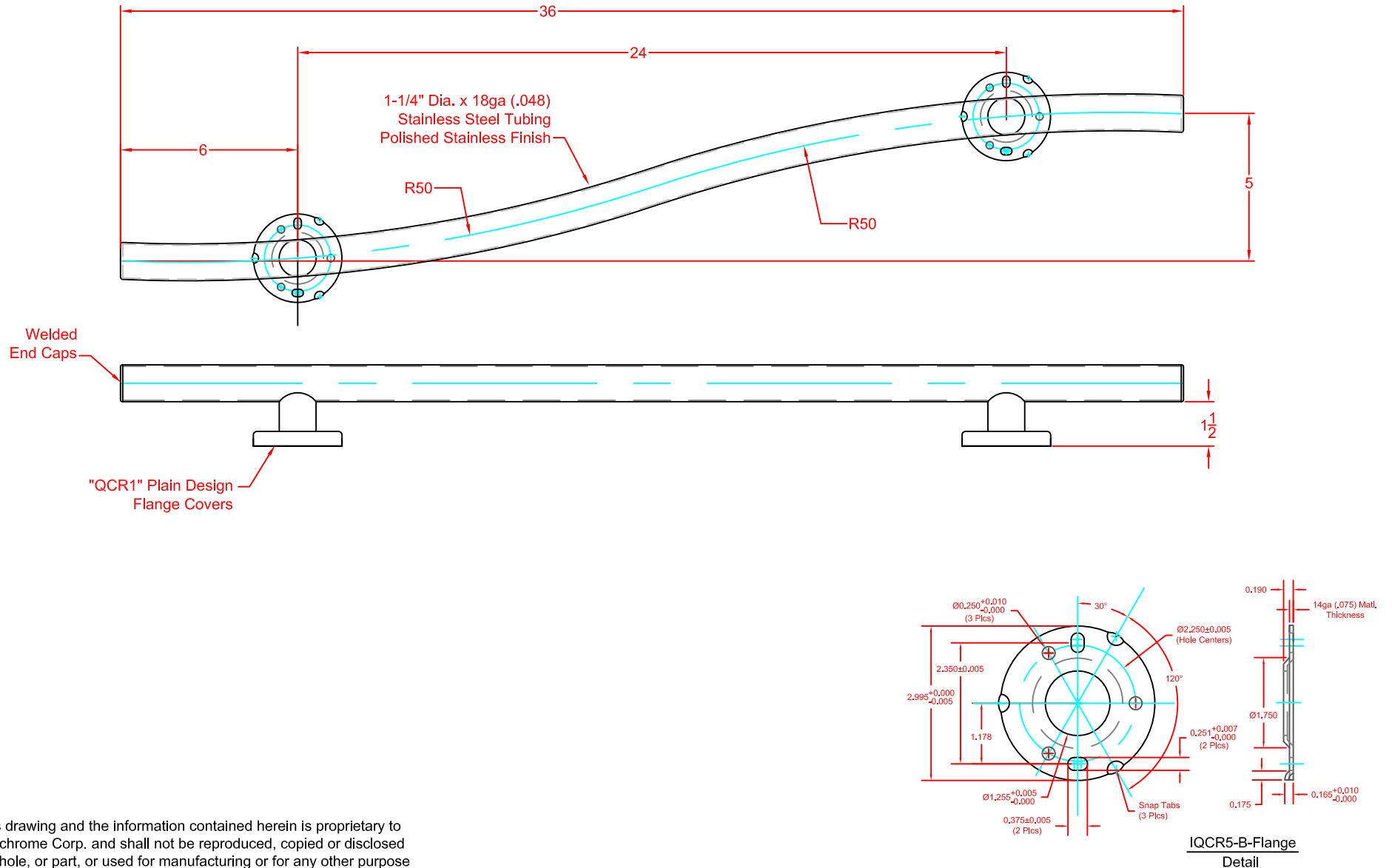
Description:

GW-3536-QCR-PS  
36" Wave Bar  
1-1/4" Dia. x 18ga S.S. Tubing  
(Polished Stainless Finish)

Customer:

Customer Part #

05-21-2012



This drawing and the information contained herein is proprietary to Seachrome Corp. and shall not be reproduced, copied or disclosed in whole, or part, or used for manufacturing or for any other purpose without the written permission of Seachrome Corporation.

**IQCR5-B-Flange**  
Detail



# SEACHROME

SEACHROME CORPORATION

Phone: (800) 955-2476

Fax: (800) 444-3380

www.seachrome.com

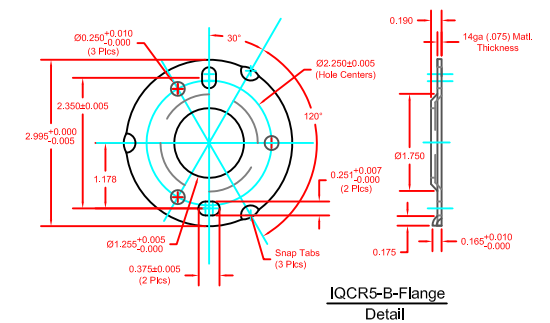
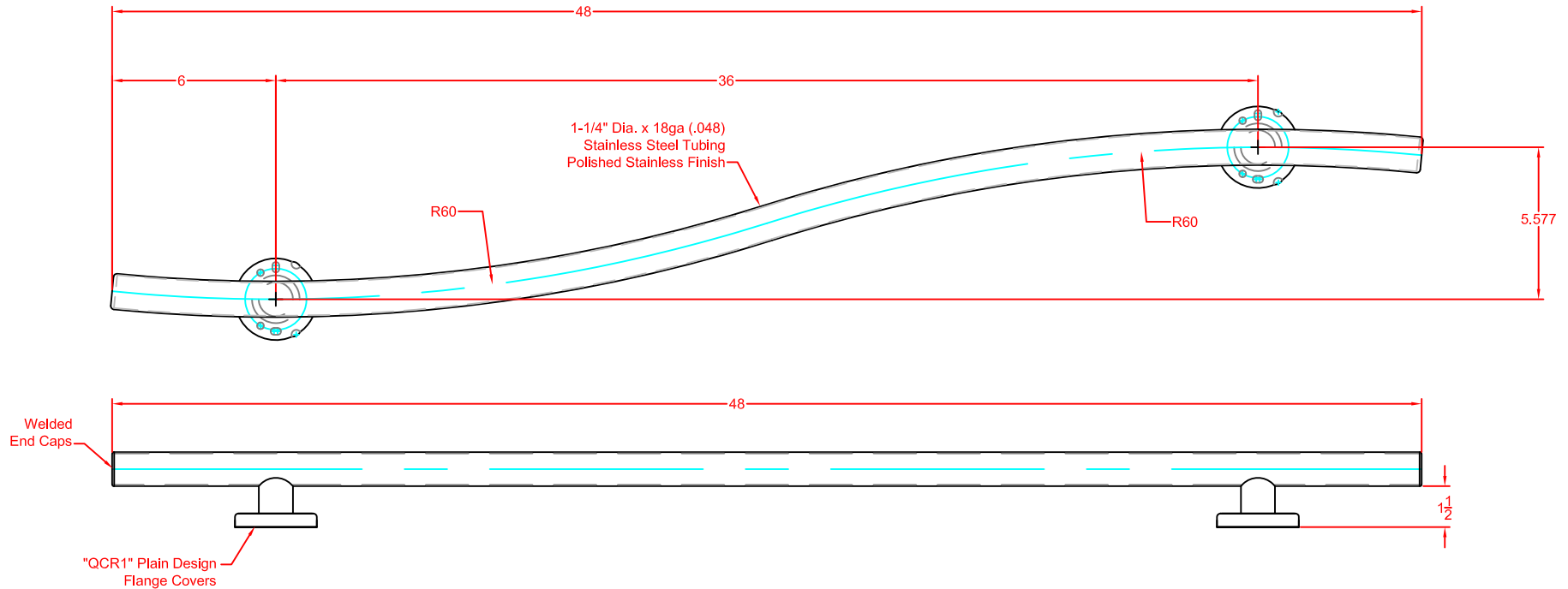
Description:

GW-3548-QCR-PS  
48" Wave Bar  
1-1/4" Dia. x 18ga S.S. Tubing  
(Polished Stainless Finish)

Customer:

Customer Part #

05-21-2012



This drawing and the information contained herein is proprietary to Seachrome Corp. and shall not be reproduced, copied or disclosed in whole, or part, or used for manufacturing or for any other purpose without the written permission of Seachrome Corporation.