

**CODE NUMBER**

3346182

**DESCRIPTION**

Graphite Finish, Sloan® Deck-Mounted Foam Soap Dispenser.

**DETAILS**

- Finish: Graphite (GR)
- Power Type: Hardwired
- Height: 4" (102mm)
- Width: 1 7/16" (41mm)
- Depth: 4 1/2" (114mm)
- Sensor Type: IR

**FEATURES**

Sensor Activated, Electronic, Graphite PVD Plated Die Cast Body, Hand Washing Foam Soap Dispenser with the following features:

- Modular One-piece Construction easily attaches to deck surface
- Low Soap Level Indicator
- One tool service
- All electronics sealed
- Double infrared sensors with automatic setting feature
- Soap sold separately

**ELECTRICAL SPECIFICATIONS**

- AC Power Plug-In Only: Yes
- Sensor Range: 4" - 5" (102 - 127mm)
- Self-Adjustment Range: 1" - 6" (25 - 152mm)

**RECOMMENDED SPECIFICATION**

Sloan Optima Foam Soap Dispenser model number ESD-400. Graphite finish.

**DOWNLOADS**

- [ESD-400 Installation Instructions](#)
- [ESD-400 Maint Guide](#)
- [Additional Downloads](#)

**NOTES**

All information contained within this document subject to change without notice.

Sloan 10500 Seymour Ave, Franklin Park, IL 60131

Phone: 800.982.5839 • Fax: 800.447.8329 • [sloan.com](http://sloan.com)

**SOAP REFILLS**

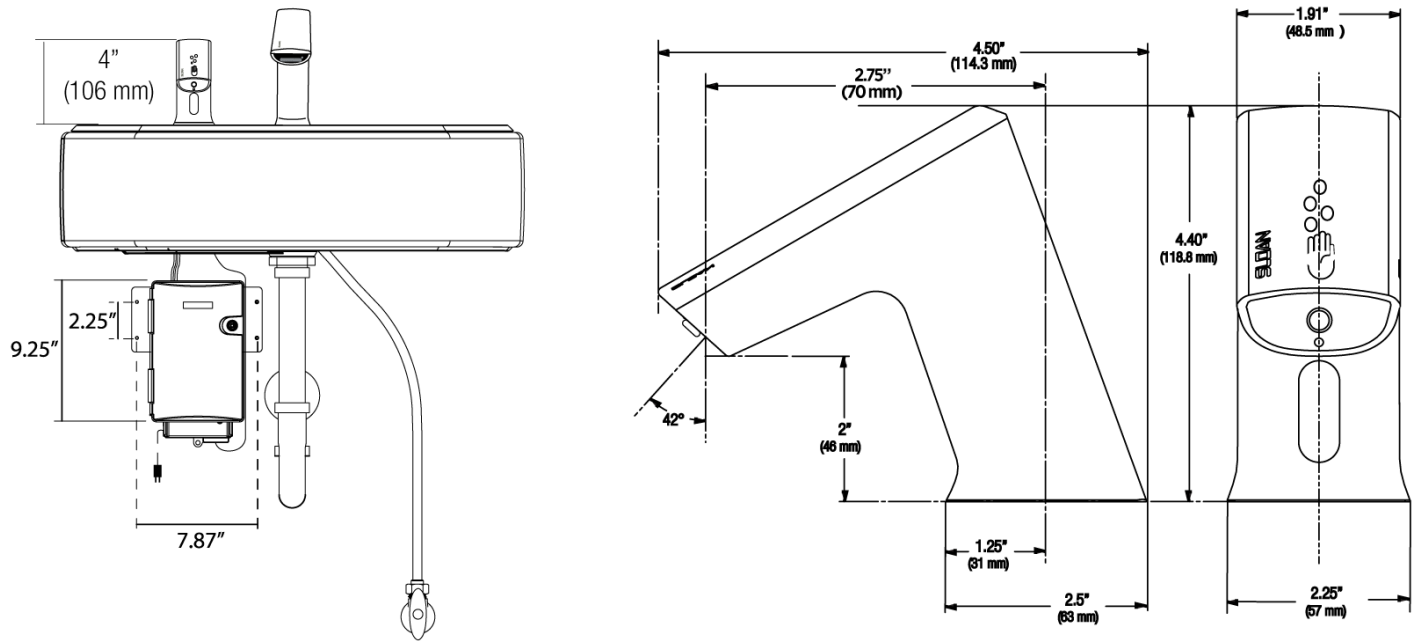
- SJS-1751 (1000mL)
- SJS-1751-3 (1000mL)
- SJS-1751-4 (1000mL)

**VIDEOS**

-  PVD Special Finishes

**ROUGH-IN**

NOTE: Faucet shown  
as reference



Sloan 10500 Seymour Ave, Franklin Park, IL 60131

Phone: 800.982.5839 • Fax: 800.447.8329 • [sloan.com](http://sloan.com)