

CODE NUMBER

3918742

DESCRIPTION

1.5 gpf, Rough Brass Finish, Single Flush, Hardwired, Solenoid-Operated with Modular Plug, 24V, Royal® Concealed Solenoid (less sensor) Urinal Flushometer.

DETAILS

- Flush Volume: 1.5 gpf (5.7 Lpf)
- Finish: Rough Brass (RB)
- Power Type: Hardwired (HW)
- Valve: Diaphragm
- Valve Body Material: Semi-red Brass
- Fixture Type: Urinal
- Fixture Connection: Rear spud
- Rough-In Dimension: 14 ½" (368mm)
- Spud Coupling: 1 ½" (38mm)
- Supply Pipe: 1" (25mm)
- Voltage: 24V (24V)

FEATURES

- High Chloramine Resistant PERMEX® Synthetic Rubber Diaphragm with Dual Filtered Fixed bypass
- 1" I.P.S. Wheel Handle Bak-Chek® Angle Stop
- Vacuum Breaker
- Sweat Solder Adapter
- Stop Seat and Vacuum Breaker molded from PERMEX Rubber Compound for Chloramine Resistance
- Adjustable Tailpiece
- 15' Cord w/6 Position, 4 Pin RJ-11 Modular Plug
- 24 VAC 50/60 Hz non-hold-open integral solenoid operator



COMPLIANCES & CERTIFICATIONS



(ADA Compliant, cUPC Certified, BAA Compliant, UL Certified)

RECOMMENDED SPECIFICATION

Valve Body, Cover, Tailpiece and Control Stop shall be in conformance with ASTM Alloy Classification for Semi- Red Brass. Valve shall be in compliance with the applicable sections of ASSE 1037 and ANSI/ASME 112.19.2.

ELECTRICAL SPECIFICATIONS

- Solenoid Operator: 24 VAC

VALVE OPERATING PRESSURE (FLOWING)

15-80 PSI (103-552 kPa). Specific fixtures may require greater minimum flowing pressure - consult manufacturer requirements.

DOWNLOADS

- [Sloan Stainless Steel Installation Instructions](#)
- [Control Stop Repair and Maintenance Guide](#)
- [Flush Connections Flanges Repair and Maintenance Guide](#)
- [Tail Piece Repair and Maintenance Guide](#)
- [Additional Downloads](#)

NOTES

All information contained within this document subject to change without notice.

Looking for other variations of the ROYAL 609 ES product? [View the general spec sheet with all options.](#)

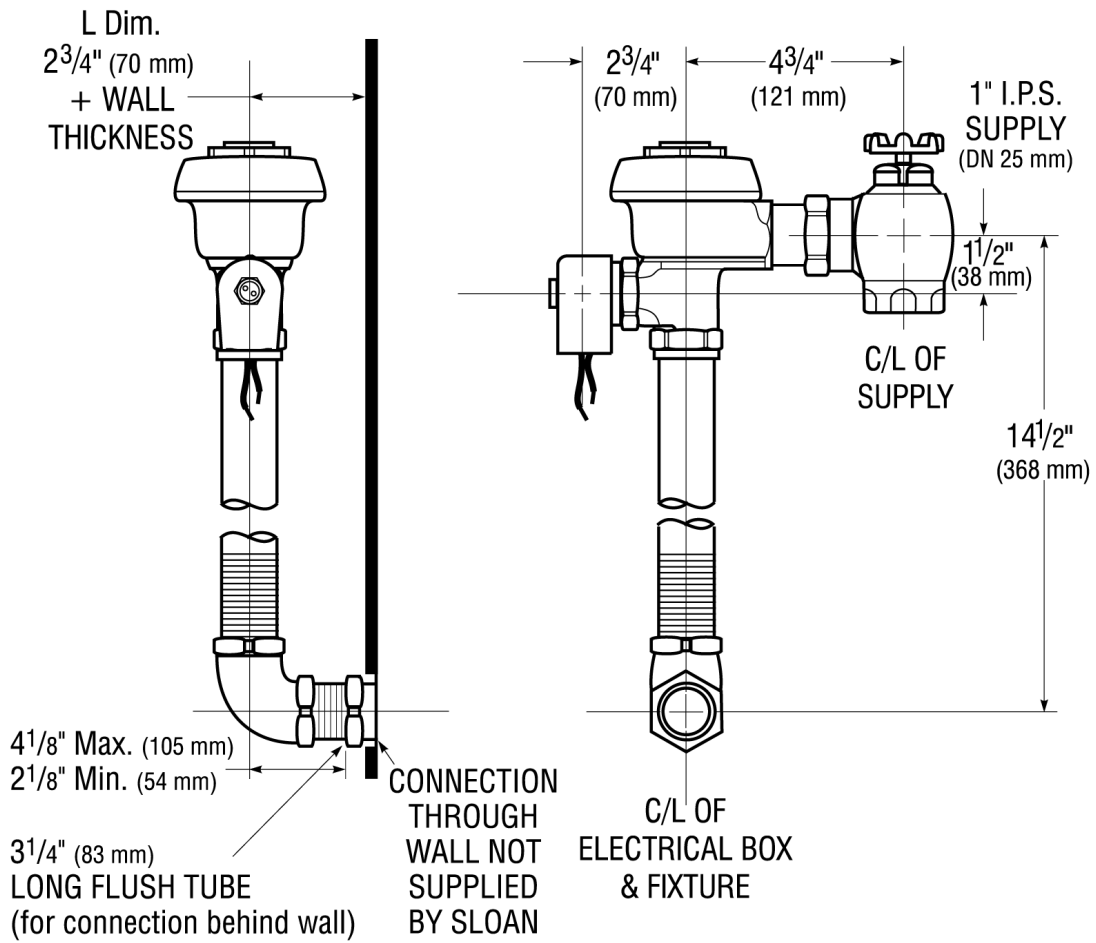
[Find a compatible urinal](#) for this flushometer.

[Find a compatible water closet](#) for this flushometer.

Sloan 10500 Seymour Ave, Franklin Park, IL 60131

Phone: 800.982.5839 • Fax: 800.447.8329 • sloan.com

ROUGH-IN



Sloan 10500 Seymour Ave, Franklin Park, IL 60131
Phone: 800.982.5839 • Fax: 800.447.8329 • sloan.com