

# SAMUEL HEATH

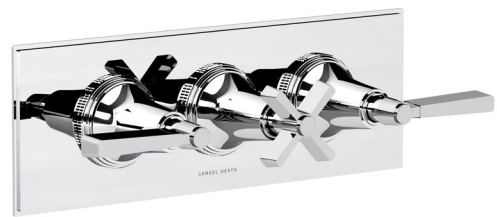
## Product Data Sheet

V602-T / V602-H-T

Trim Set To Suit V135-IS / V135-AIS



V602-T



V602-H-T

### - Available Control Options -



V602-TM



V602-TMB



V602-TX



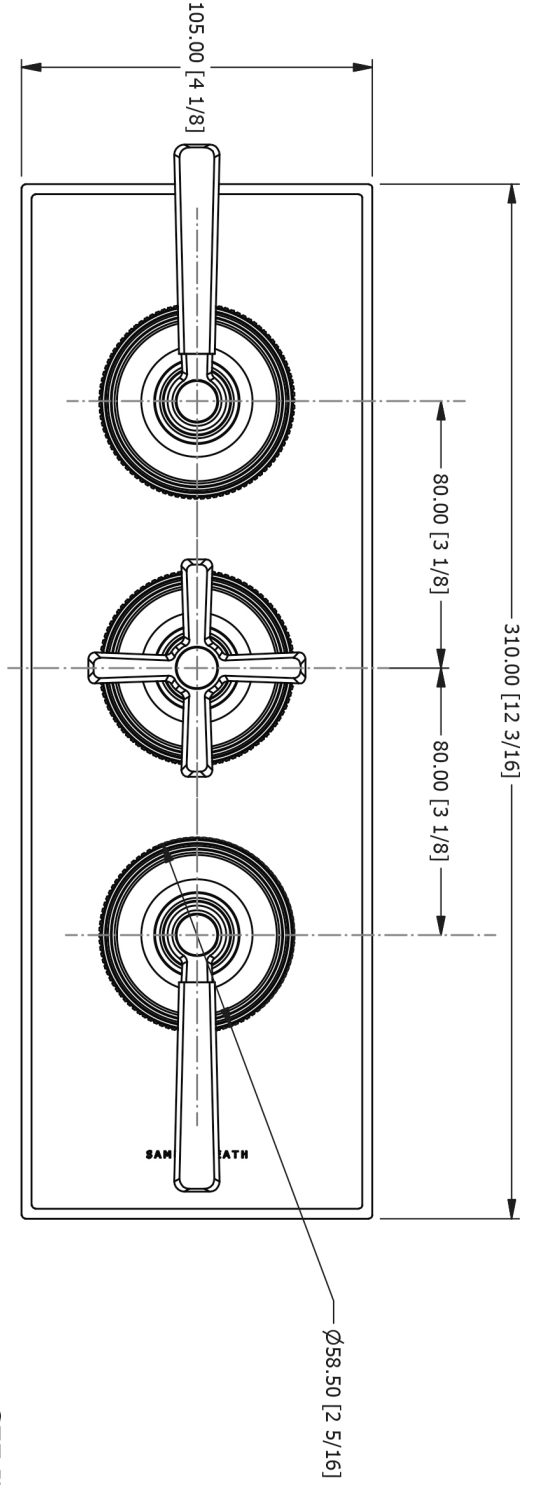
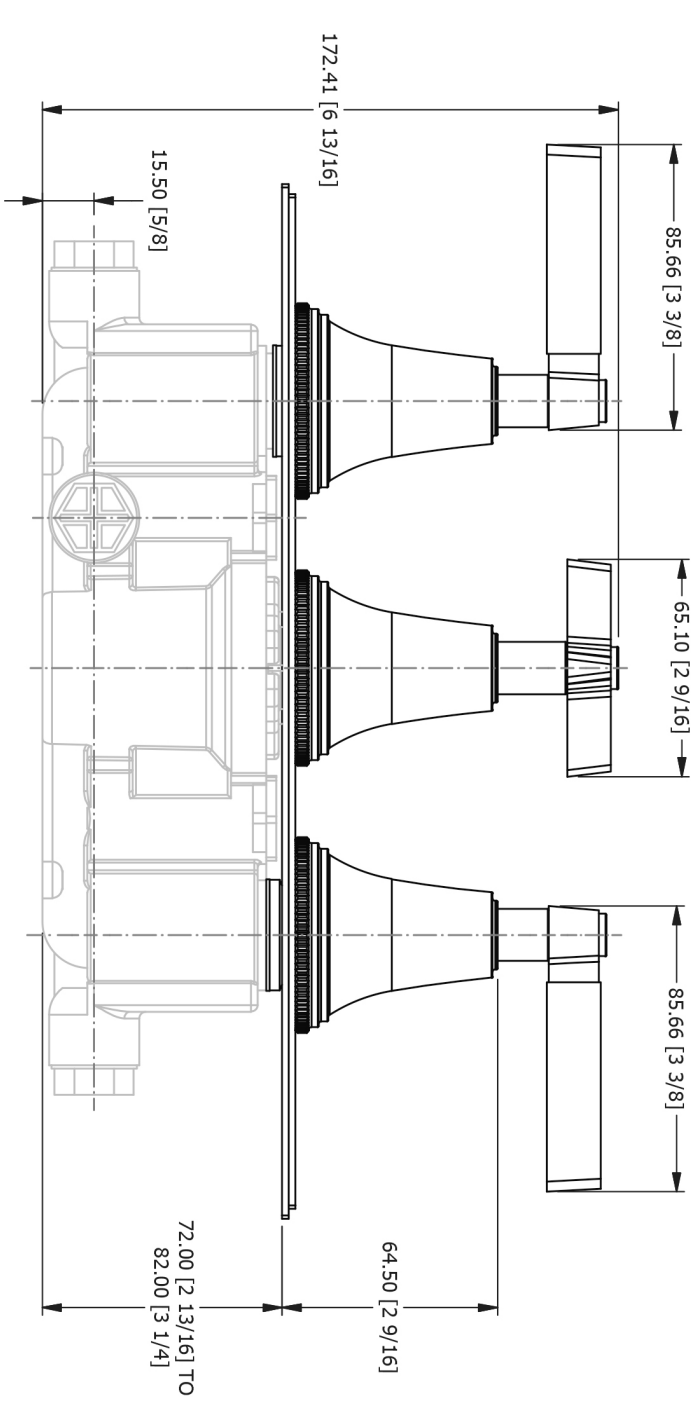
V602-TXB



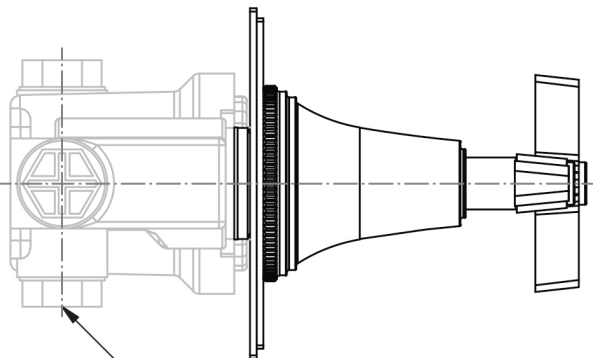
V602-TL

# Dimension Key

## V602-TM / V602-TMB

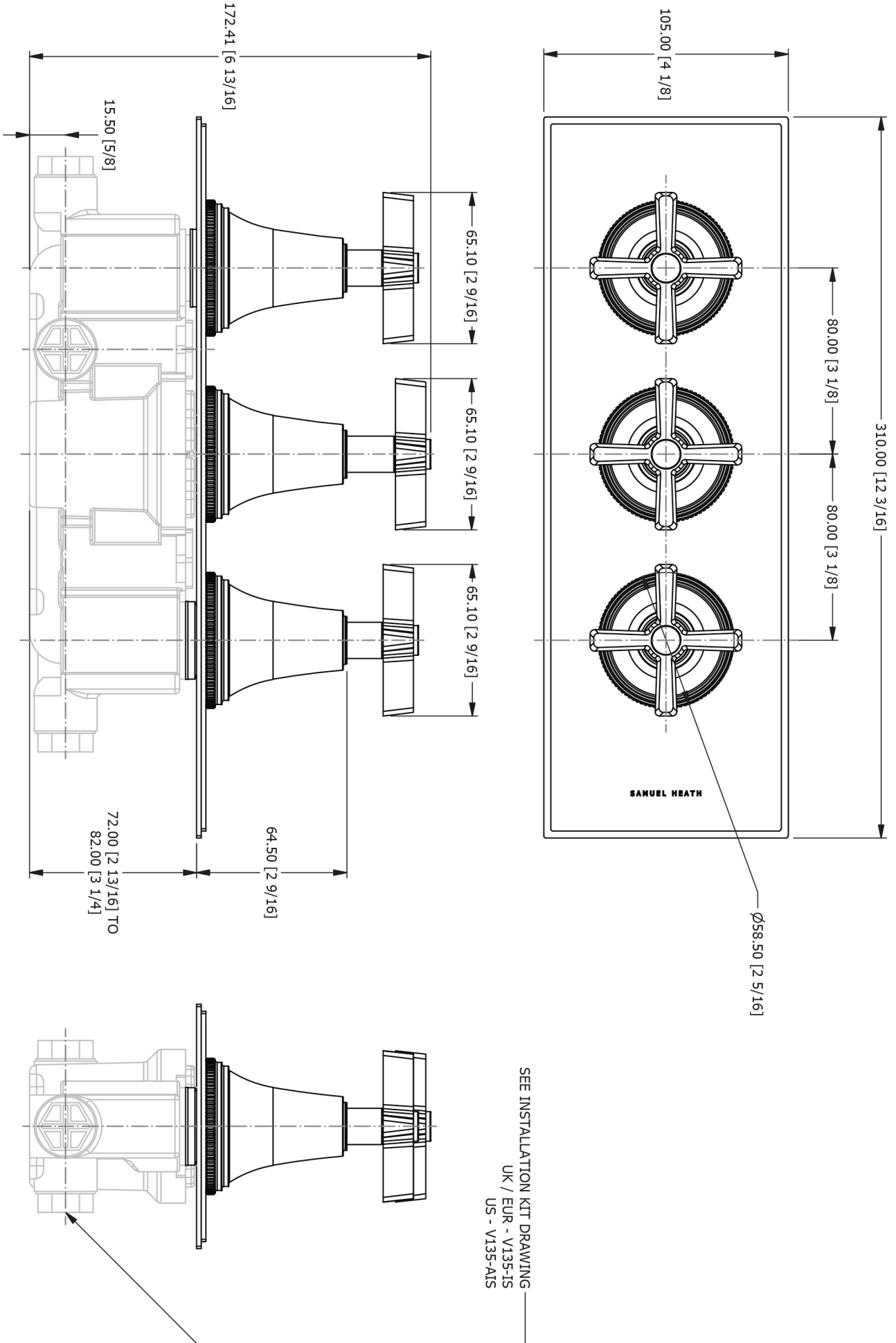


SEE INSTALLATION KIT DRAWING  
 UK / EUR - V135-IS  
 US - V135-AIS



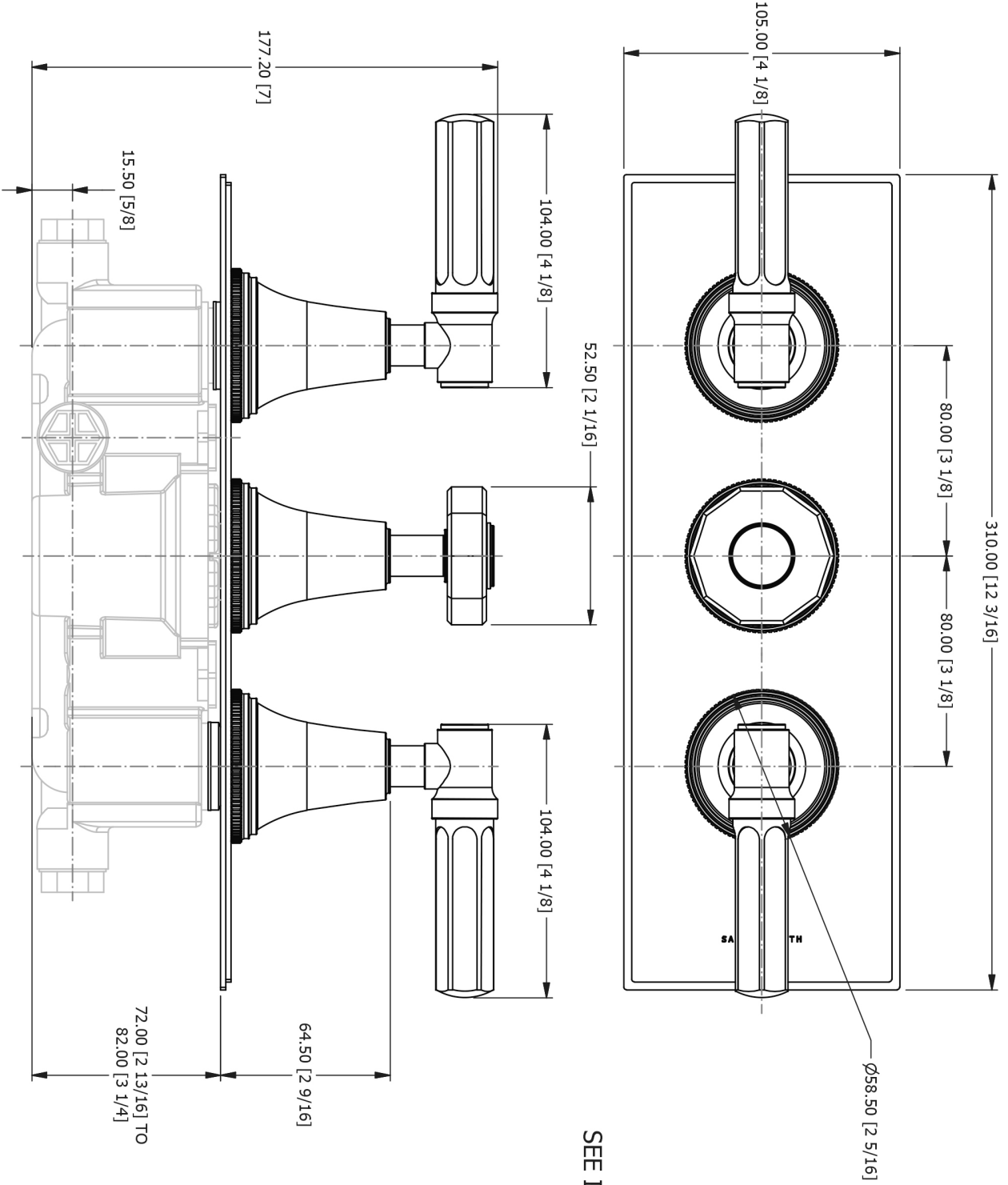
# Dimension Key

## V602-TX / V602-TXB

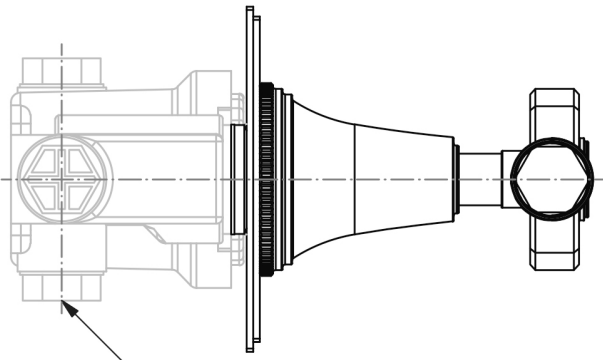


# Dimension Key

## V602-TL

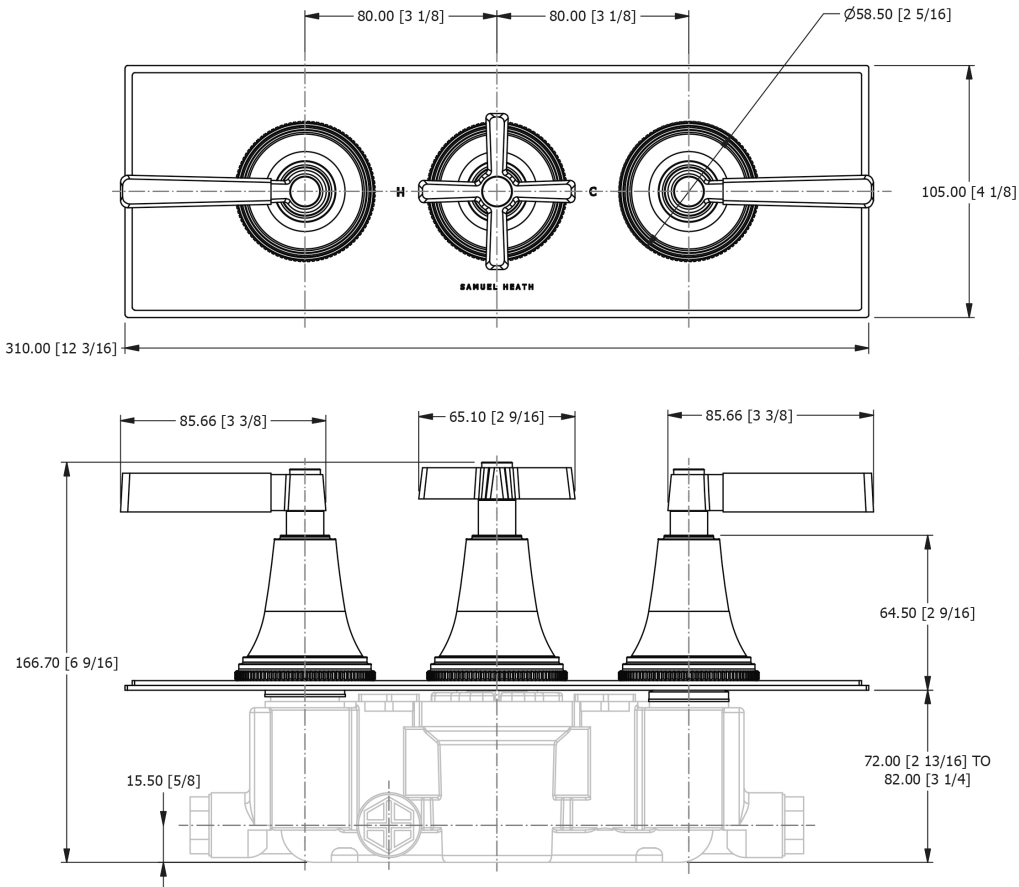


SEE INSTALLATION KIT DRAWING  
UK / EUR - V135-IS  
US - V135-AIS

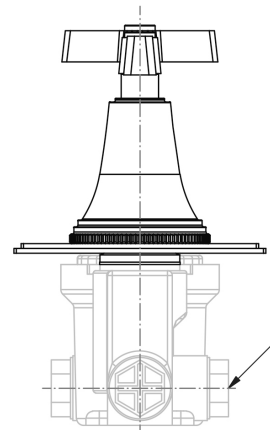


# Dimension Key

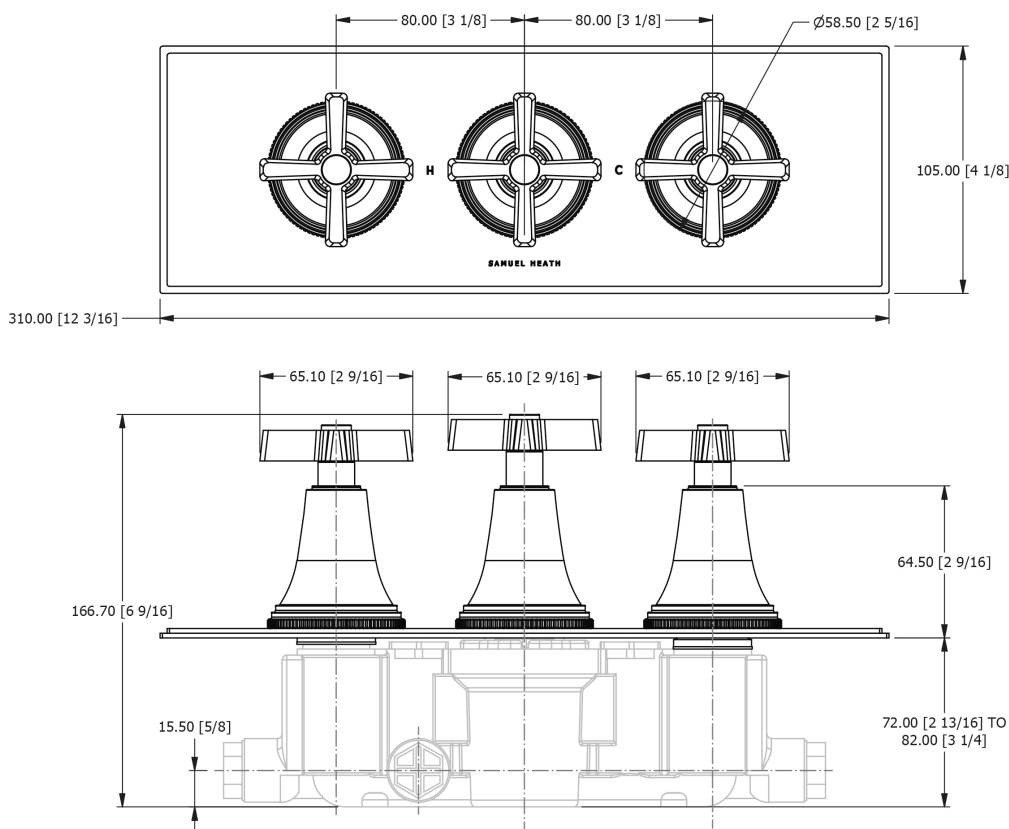
## V602-H-TM / V602-H-TMB



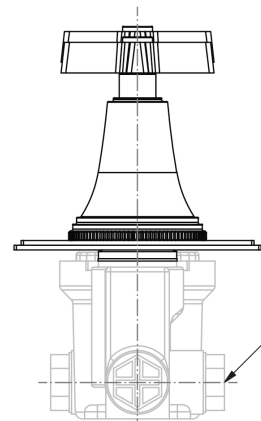
SEE INSTALLATION KIT DRAWING  
UK / EUR - V135-IS  
US - V135-AIS



## V602-H-TX / V602-H-TXB

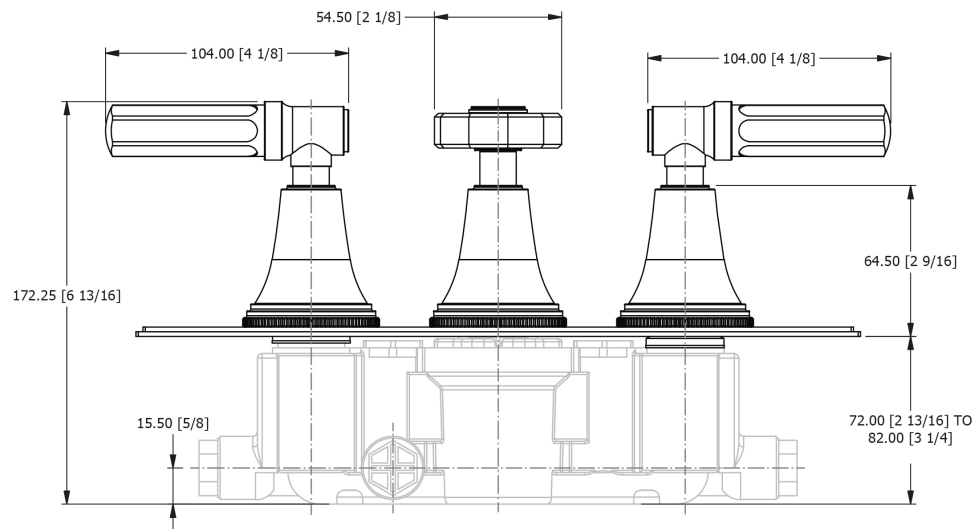
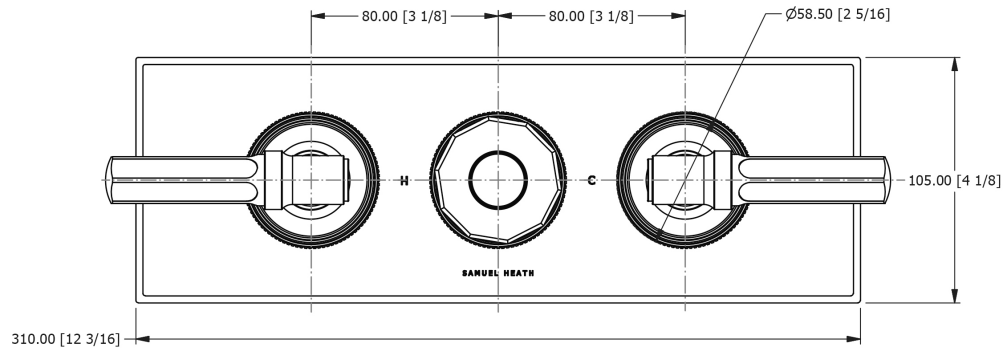


SEE INSTALLATION KIT DRAWING  
UK / EUR - V135-IS  
US - V135-AIS

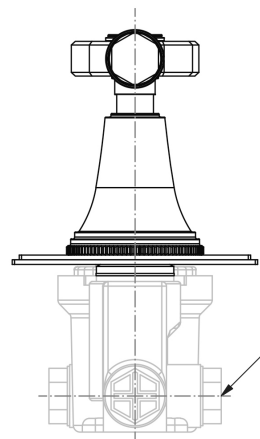


# Dimension Key

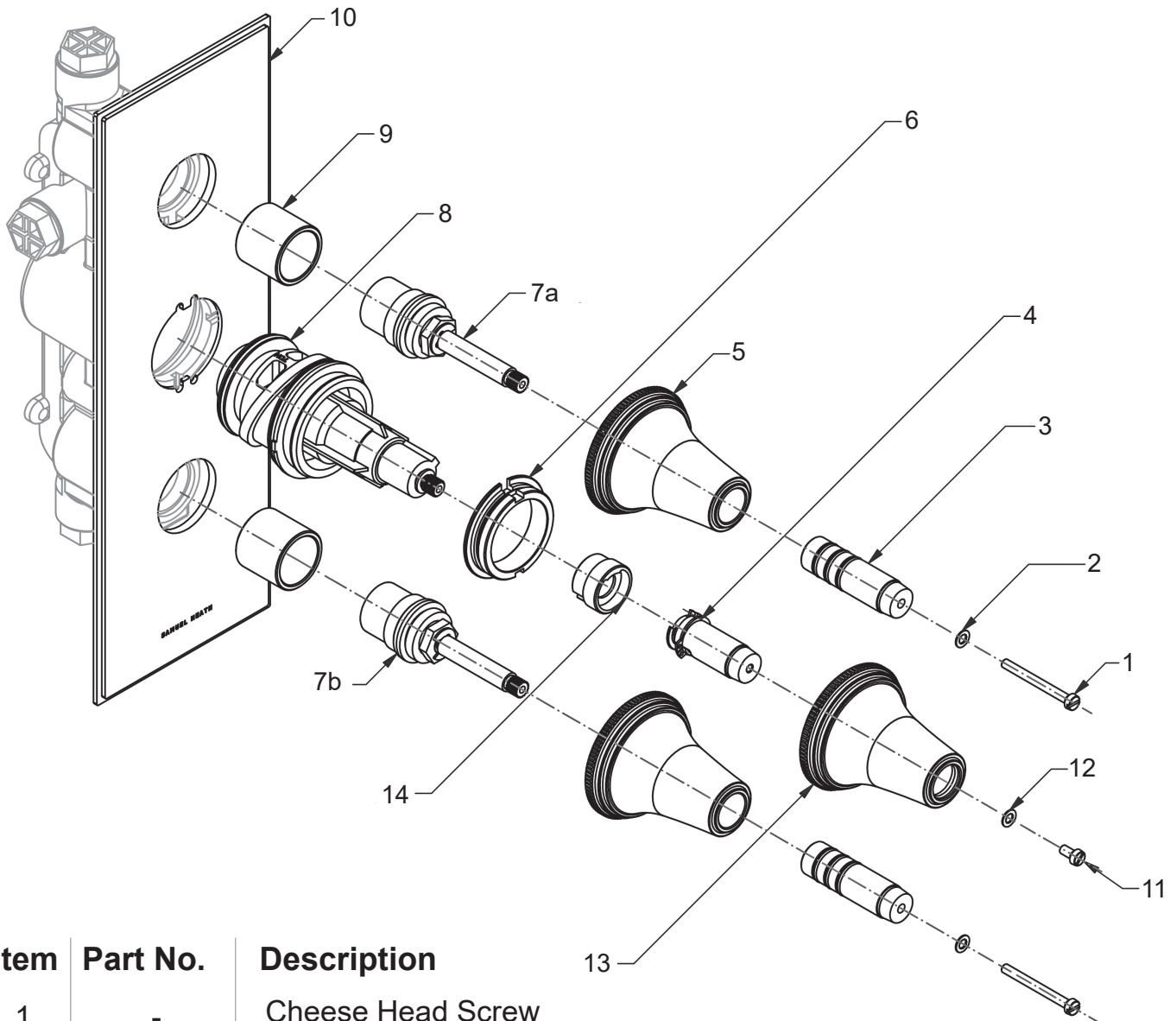
## V602-H-TL



SEE INSTALLATION KIT DRAWING  
UK / EUR - V135-IS  
US - V135-AIS

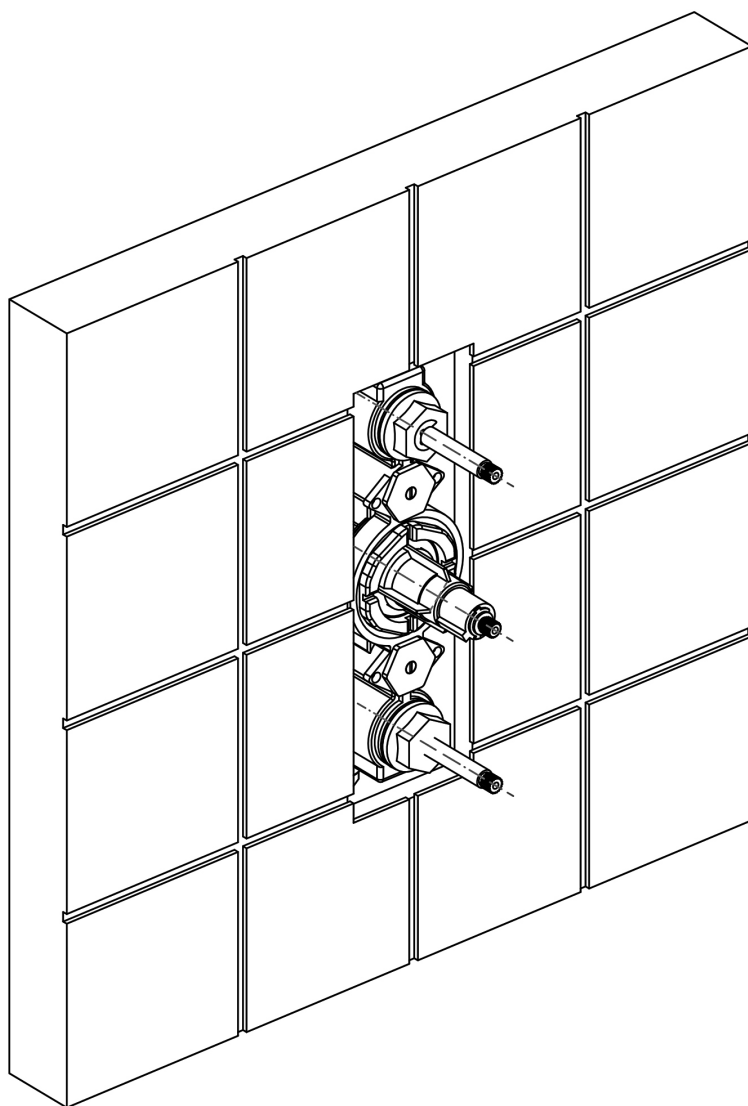


## Spares Information



Item	Part No.	Description
1	-	Cheese Head Screw
2	-	Washer
3	-	Volume Spindle
4	-	Thermo Spindle
5	-	Volume Body
6	-	Thermo Lock Nut
7a	VS56046	CD Valve (Anti-Clockwise Closing)
7b	VS56047	CD Valve (Clockwise Closing)
8	VS56065	Thermostatic Cartridge
9	-	Threaded Shank
10	-	Shower Plate
11	-	Cheese Head Screw
12	-	Washer
13	-	Thermo Body
14	-	Thermo Collar

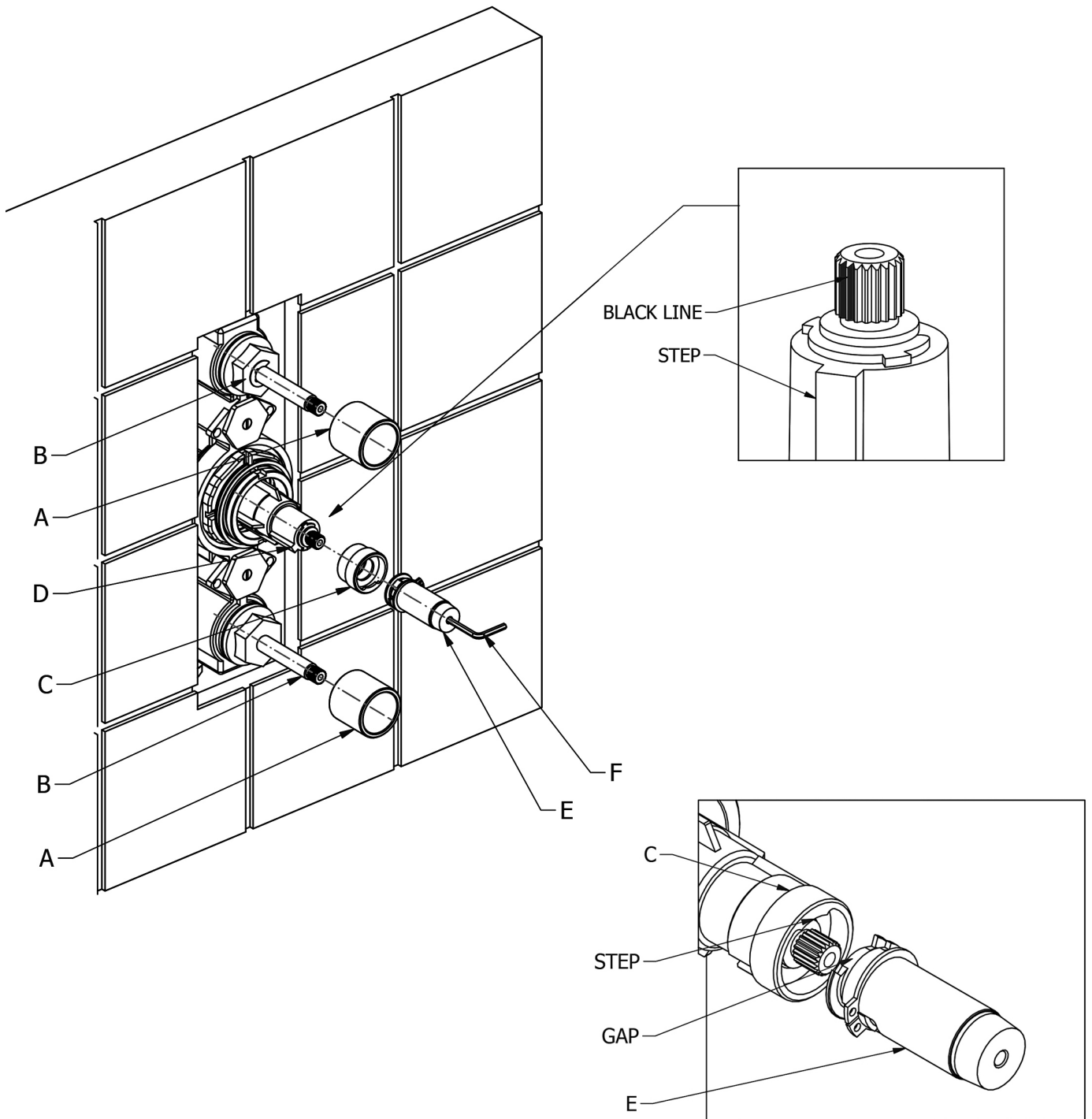
## Installation



1. Install the finished surface, ensuring the finished surface is in accordance with the minimum and maximum installation depths shown on the drawings in the front of this booklet.

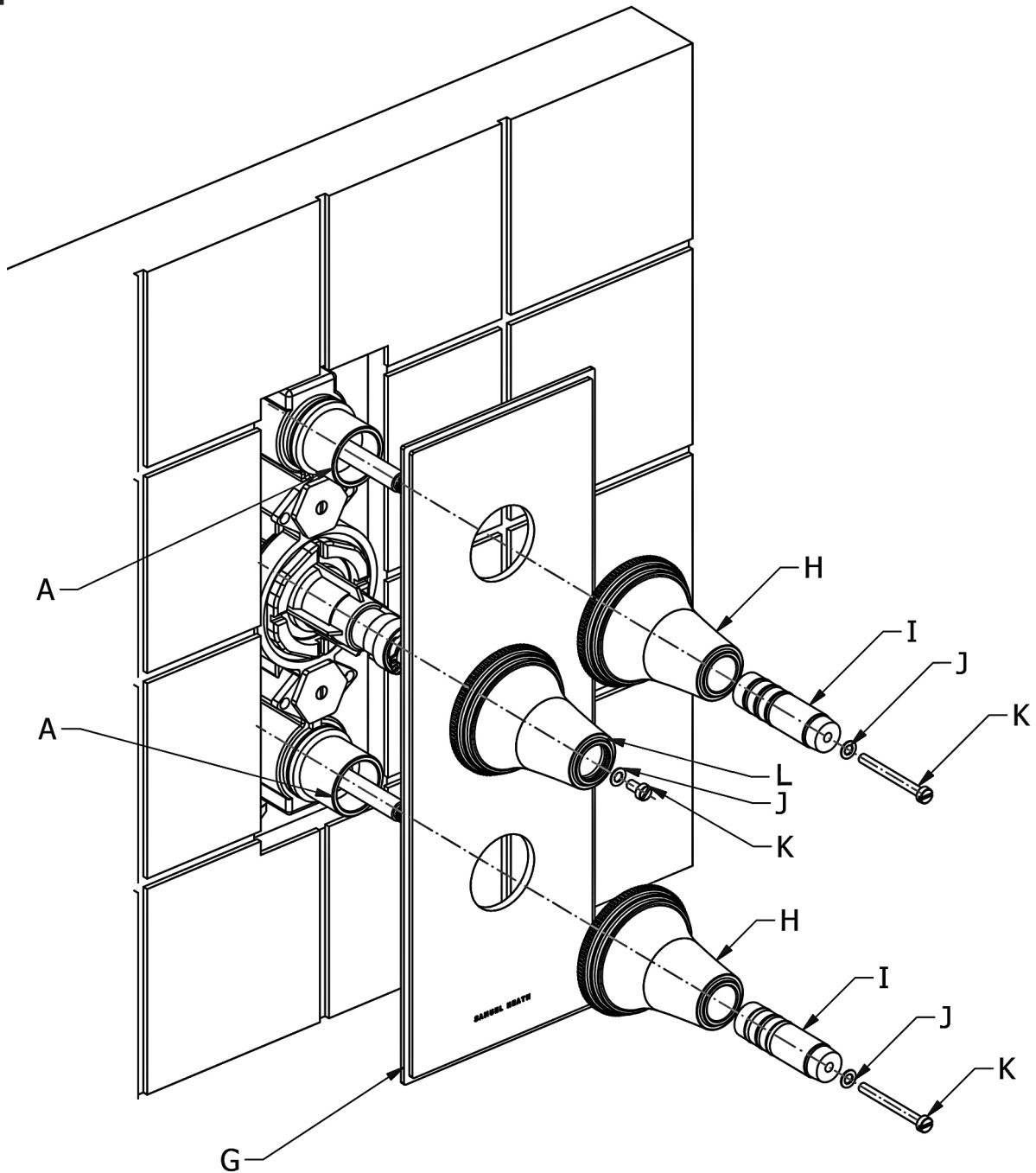


## Set Up



2. Ensure that the black line on the temperature spline (D) is in line with the step on the cartridge
3. Push temperature ring (C) onto temperature cartridge (D)
4. Attach spindle assembly (E) onto the temperature cartridge (D) ensuring that the step on the temperature ring (C) lines up with the gap on the spindle assembly (E).
5. Secure the spindle in place by accessing the concealed screw in the spindle assembly (E) using Allen key (F).
6. Screw volume collars (A) onto volume cartridges (B).

## Set Up



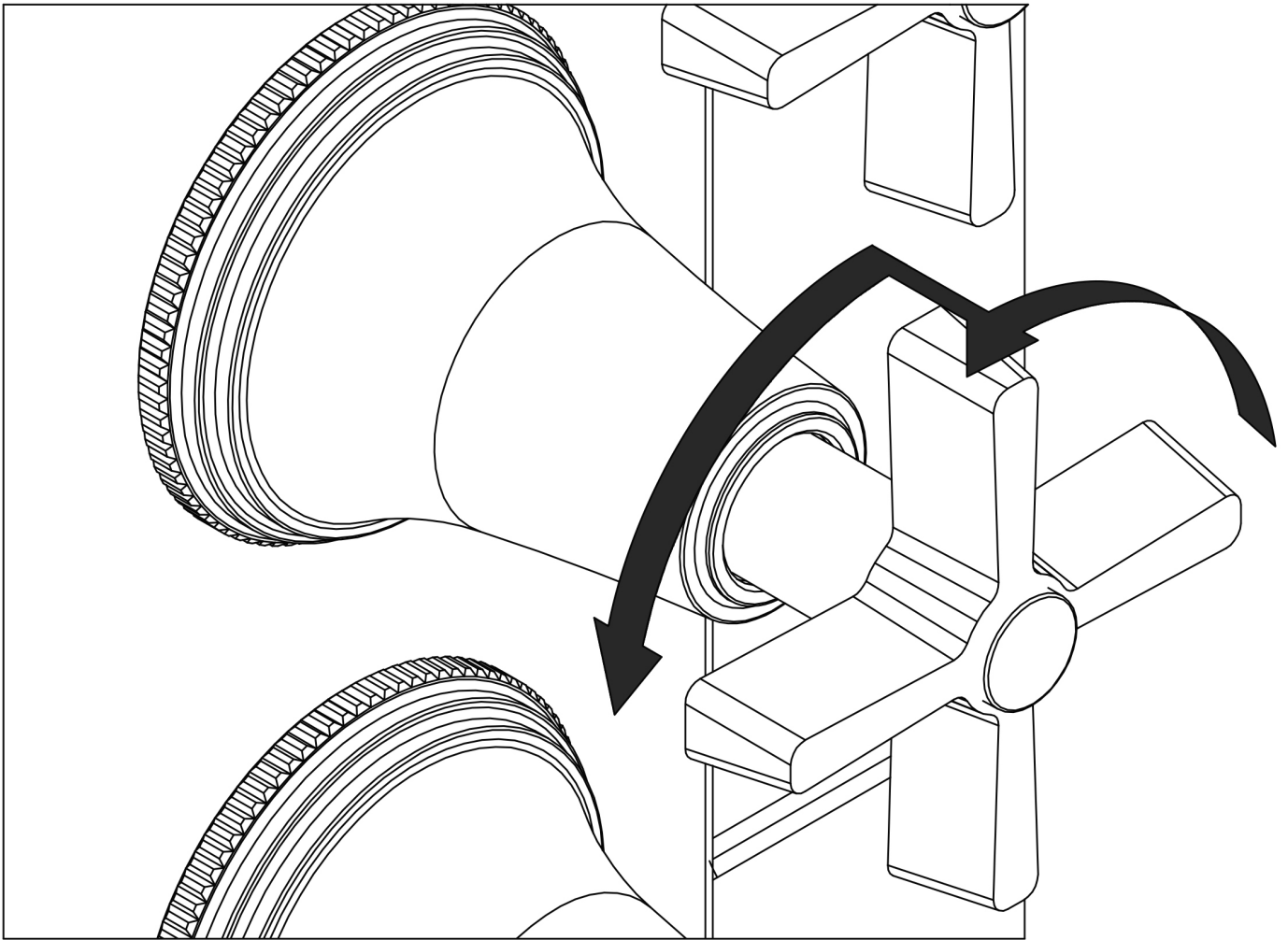
7. Apply a bead of silicon sealant to the wall where the trim plate assembly (G) will sit.

8. Push trim plate assembly (G) onto the installed shower.

9. Clamp the trim plate assembly in place by screwing the volume bodies (H) onto volume collars (A).

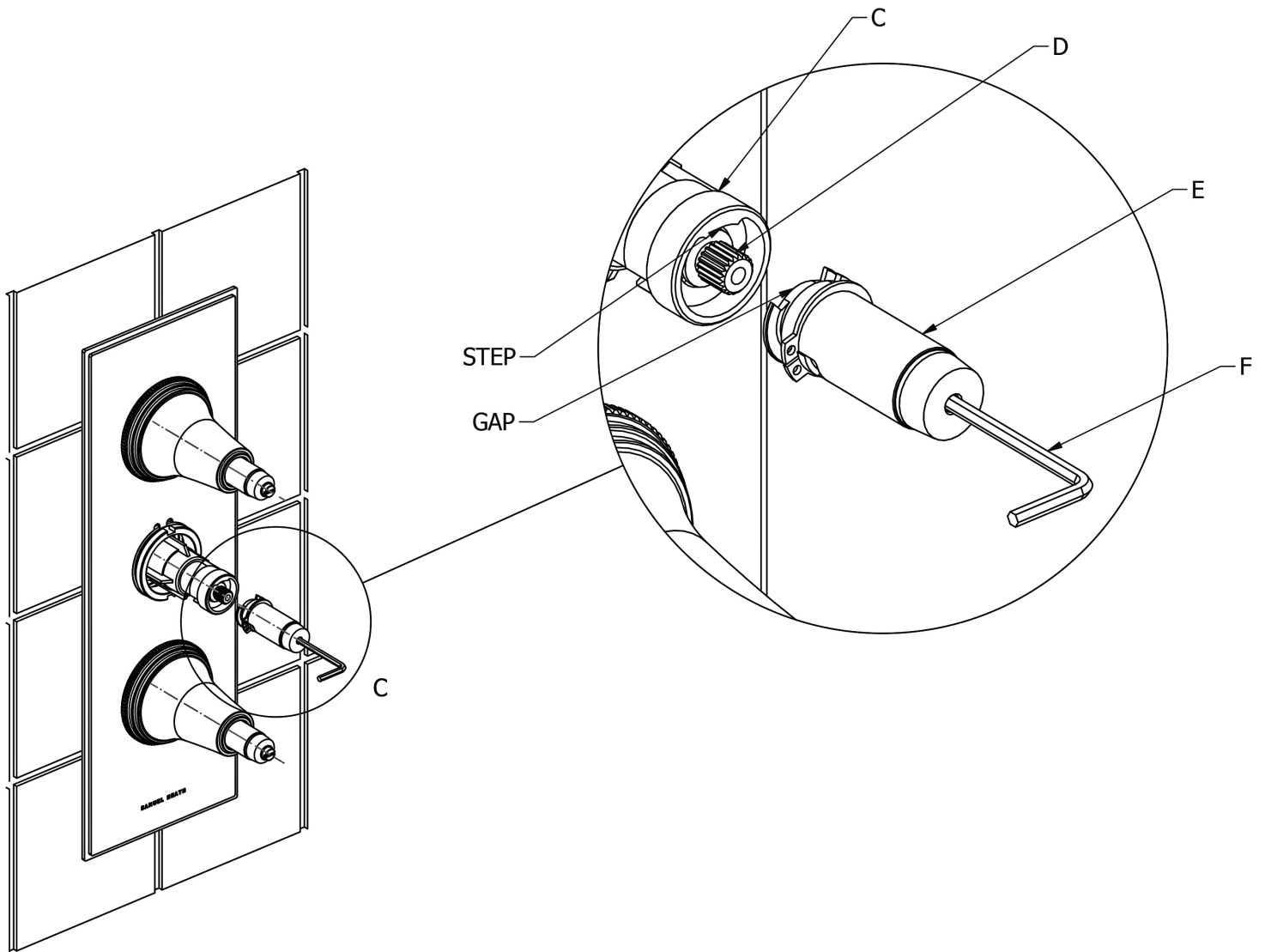
10. Assemble spindles (I), washers (J) and screws (K).

## Temperature Override Mechanism



- This product has a pre-set maximum temperature of 41°C - 43°C (106°F - 109°F)
- An additional temperature increase is available by pressing in the sprung loaded cross top as shown at the maximum setting.
- The unit automatically clicks back into pre-override when rotated back towards cold.
- For further temperature increases, please see “Adjusting The Temperature”

## Adjusting The Temperature

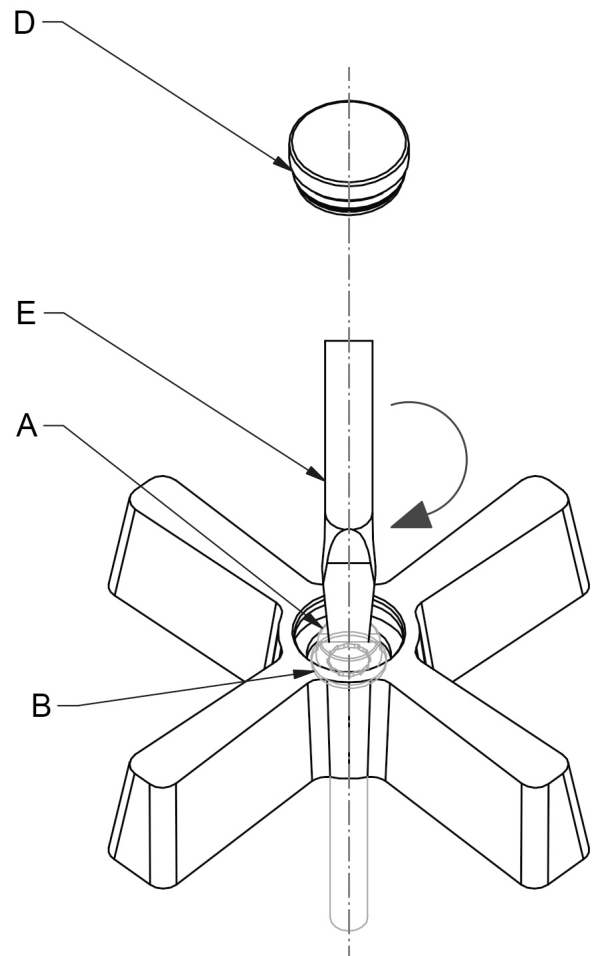
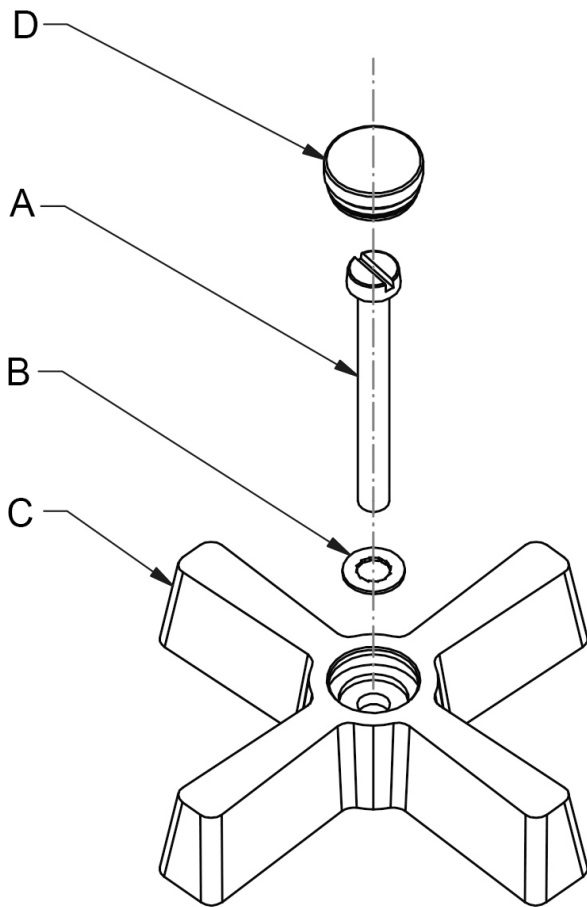


1. Remove thermo body (L).
2. Remove spindle assembly (E) by accessing the concealed screw using Allen key (F).

**Note:** To remove the spindle assembly (E), the gap in the spindle assembly (E) must be in line with the step on the temperature collar (C).

3. Rotate the spindle anti-clockwise to make the water hotter, and clockwise for colder.
4. Reassemble the spindle assembly (E).

## Control Assembly Instructions

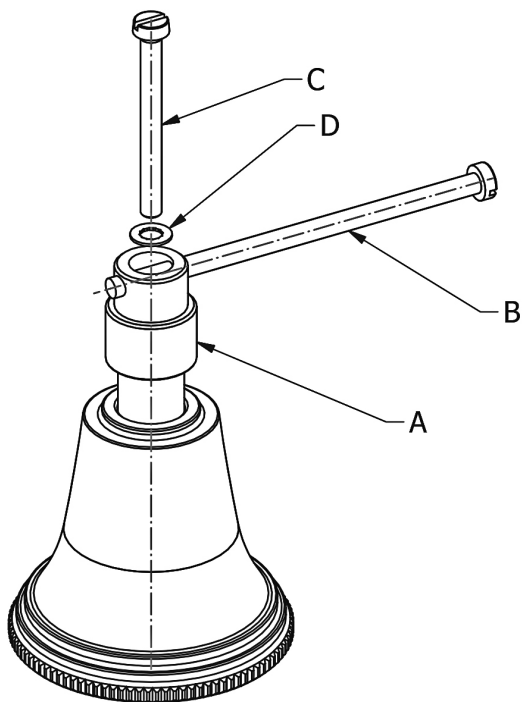


1. Remove screw (A) and washer (B) from spindle
2. Position cross top (C) to tap body and assemble anti-rotational washer (B) followed by screw (A).

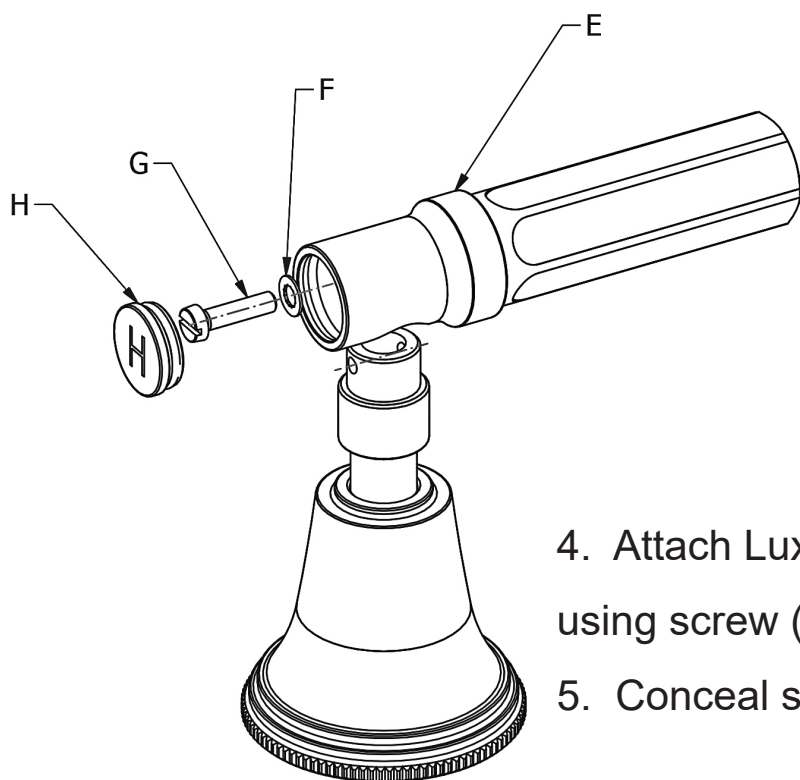
**Note:** It is imperative that the anti-rotational washer is installed

3. Levers are also available (Assembly method is identical). Position lever at the preferred angle.
4. Using a flat edge screwdriver (E), tighten the screw (A) down against the anti-rotational washer (B) to its fullest extent.
5. Insert the indice (D) to complete assembly.

## Luxe Lever Assembly Instructions



1. Place adapter (A) onto the side valve spindle.
2. Align the adapter (A) using assembly guide screw (B) to mimic the desired position of the Luxe Lever.
3. Carefully remove screw (B) and secure adapter using screw (C) and washer (D).



4. Attach Luxe Lever (E) to adapter (A) using screw (G) and washer (F).
5. Conceal screw using indice (H).



## IMPORTANT NOTES

1. Installation should be carried out by a competent engineer, in accordance with water regulations.
2. Before installation, ensure supply pipes are flushed clean. Debris or loose particles will affect the efficiency of the ceramic disc cartridge.
3. For mixer taps, it is recommended that hot & cold pressures are equally balanced.
4. To help maintain the high quality finish, please clean with a soft damp cloth. Do not use abrasive polish or cleaners. Stains may be removed using undiluted washing up liquid.
5. Ceramic cartridges in hard water areas. To prolong the lifespan and reduce servicing periods of your Samuel Heath tap we recommend that a suitable water softener be fitted. Consult your installer/designer for details.
6. Please note that as with all tap and shower ware it will be necessary from time to time for the products to be serviced, this should be carried out by a qualified Plumbing Engineer.

## NOTES IMPORTANTES

1. L'installation doit être faite par un ingénieur qualifié, selon les règlements du Service Eau.
2. Avant l'installation, il faut s'assurer que les tuyaux d'approvisionnement sont complètement purgés. Les déchets flottants auront un effet détrimentaire sur l'efficacité de la cartouche céramique.
3. Il est recommandé que les pressions de l'eau chaude et eau froide des mitigeurs et mélangeurs soient maintenues à un niveau égal.
4. Pour conserver la finition de haute qualité, nettoyer avec un chiffon doux et humide. N'employer jamais de la cire et des produits abrasifs. Les tâches peuvent être enlevées à l'aide de liquide vaisselle pur.
5. Cartouches en céramique dans les régions à eau calcaire. Pour prolonger la durée et réduire l'entretien de votre robinetterie Samuel Heath, nous recommandons d'utiliser un adoucisseur d'eau convenable. Veuillez consulter votre installateur/fournisseur pour plus de renseignements.
6. Veuillez noter qu'un entretien sera nécessaire de temps en temps et doit être effectué par un installateur qualifié.

## WICHTIGE HINWEISE

1. Installation sollte durch einen kompetenten Fachmann und nach den üblichen Vorschriften ausgeführt werden.
2. Vor Installation Wasserleitung gründlich durchspülen. Verschmutzung wird die Funktion der Kartusche erheblich einschränken.
3. Für Mischbatterien ist es wichtig, daß Wasser mit gleichem Druck eingeführt wird.
4. Um den optimalen Zustand dieses Produktes zu erhalten, wischen Sie es bitte nur mit einem feuchten, weichen Lappen ab. Auf keinen Fall Scheuermittel verwenden. Flecken lassen sich mit unverdünntem Geschirrspülmittel entfernen.
5. Keramikkartuschen in Hartwasserbereichen. Um die Lebensdauer zu verlängern und Wartungszeiten zu reduzieren empfiehlt Samuel Heath den Einsatz eines geeigneten Wasserenthärter. Fragen Sie Ihren Installateur/Designer um Rat.
6. Bitte merken Sie, dass alle Armaturen ab und zu eine Wartung brauchen. Diese soll durch einen kompetenten Installateur ausgeführt werden.

## ATENCION

1. La instalación se debe realizar por un fontanero.
2. Antes de la instalación, deben pulgar las tuberías dejando correr el agua por las tuberías para que arrastren los residuos de montaje/obra, con el motivo de que no afecte la eficacia del cartucho de cerámica.
3. Para grupo baño/ducha se recomienda que las presiones del agua caliente y frío sean equilibradas.
4. Para ayudar a mantener el acabado de este producto, limpiar con un paño húmedo suave. No se debe emplear productos abrasivos de baño. Las manchas se pueden quitar empleando líquido lava-vajillas puro.
5. Cartuchos cerámicos en áreas de aguas duras. Para prolongar su vida útil y reducir los periodos de reparación de su grifo SamuelHeath recomendamos la instalación de un descalcificador de agua. Consulte a su instalador para más detalles.
6. Igual que con todo tipo de grifería y duchas, de vez en cuando será necesario llevar a cabo una revisión al producto; esto debería ser realizado por un fontanero calificado.

## ATTENZIONE

1. L'impianto deve essere montato da personale tecnico in conformità alle vigenti leggi.
2. Prima dell'installazione assicurarsi che le tubature dell'acqua siano pulite. Detriti o residui di lavorazione compromettono l'efficienza del cartuccio.
3. Per i gruppi, si raccomanda che le pressioni acqua calda e acqua fredda siano ugualmente bilanciate.
4. Per mantenere la finizione di ottima qualità, pulire con un panno soffice e inumidito.  
Non usare creme lucidanti e materiali abrasivi. Le macchie potranno essere tolte usando del detersivo per piatti puro.
5. Come con tutti i tipi di rubinetti e docce, di volta in volta è necessario effettuare una revisione al prodotto; questo dovrebbe essere fatto da un idraulico qualificato.

## SAMUEL HEATH

### Head Office and Customer Service

Leopold Street  
Birmingham  
England  
B12 0UJ

T: +44 (0)121 766 4200  
F: +44 (0)121 772 3334

Info@samuel-heath.com  
www.samuel-heath.co.uk

### US Customer Service

usa@samuel-heath.com  
Federal I.D. No. 58-1504682  
www.samuel-heath.com

8-40384-T  
Issue: C