

# SAMUEL HEATH

## Product Data Sheet

V717-1 / V717-2 / V717-3

3 Hole Basin / Lavatory Filler, Wall Mounted



### - Available Options -

 <b>V7K17-1LF</b>	 <b>V7K17-1LK</b>	 <b>V7K17-1XF</b>	 <b>V7K17-1XK</b>
 <b>V7K17-2LF</b>	 <b>V7K17-2LK</b>	 <b>V7K17-2XF</b>	 <b>V7K17-2XK</b>
 <b>V7K17-3LF</b>	 <b>V7K17-3LK</b>	 <b>V7K17-3XF</b>	 <b>V7K17-3XK</b>





# Dimension Key

## V7K17-XF

### SPOUT LENGTHS:

V7K17-1 : A = 215mm to 227mm [ 8 <sup>7</sup>/<sub>16</sub> to 8 <sup>15</sup>/<sub>16</sub> ]

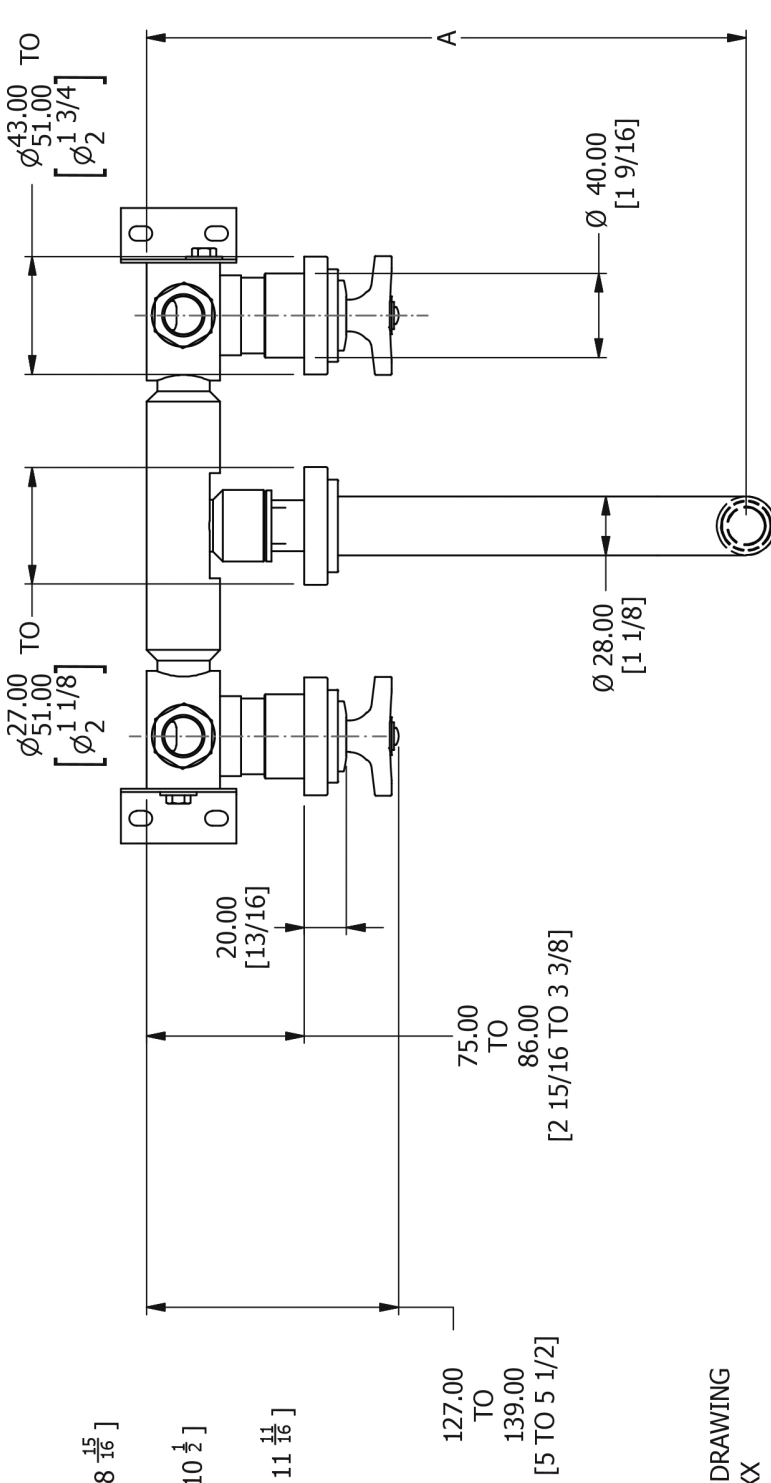
B = 140mm [ 5 <sup>1</sup>/<sub>2</sub> ]

V7K17-2 : A = 255mm to 267mm [ 8 <sup>7</sup>/<sub>8</sub> to 10 <sup>1</sup>/<sub>2</sub> ]

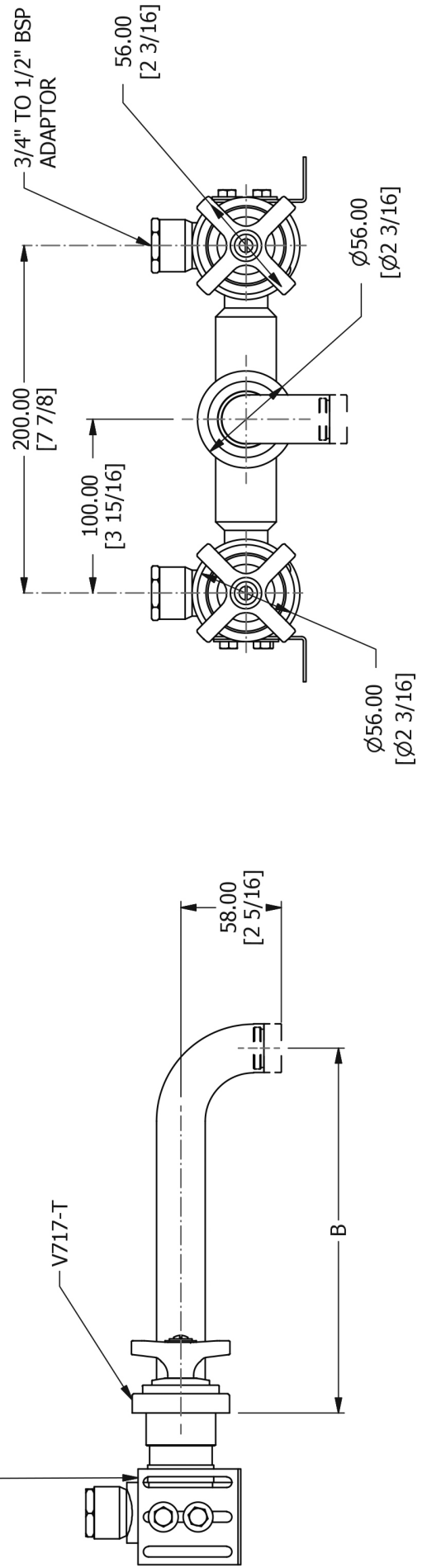
B = 180mm [ 7 <sup>1</sup>/<sub>16</sub> ]

V7K17-3 : A = 285mm to 297mm [ 11 <sup>1</sup>/<sub>4</sub> to 11 <sup>11</sup>/<sub>16</sub> ]

B = 210mm [ 8 <sup>1</sup>/<sub>4</sub> ]



SEE INSTALLATION KIT DRAWING  
 UK & EUR - V718 - IS - XX  
 US - V718 - AIS - XX



# Dimension Key

## V7K17-XK

### SPOUT LENGTHS:

V7K17-1 : A = 215mm to 227mm [ 8  $\frac{7}{16}$  to 8  $\frac{15}{16}$  ]

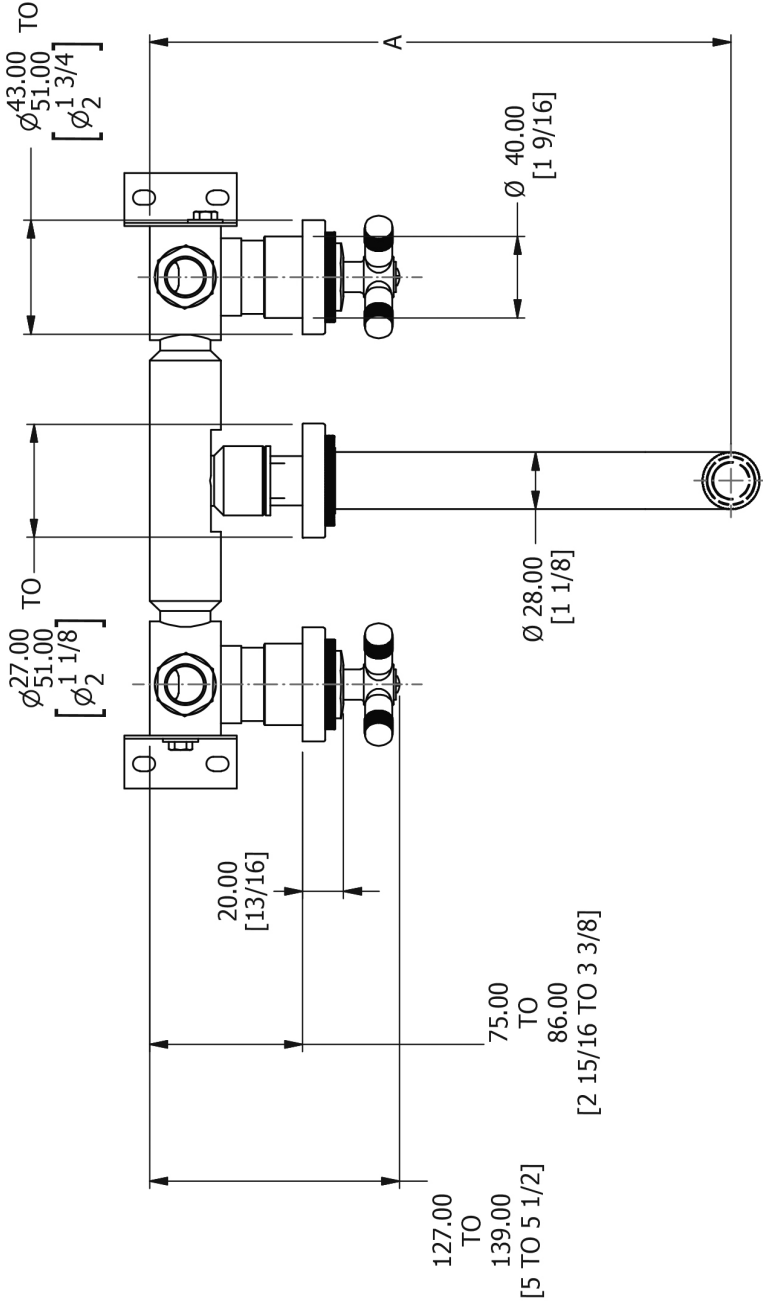
B = 140mm [ 5  $\frac{1}{2}$  ]

V7K17-2 : A = 255mm to 267mm [ 8  $\frac{7}{8}$  to 10  $\frac{1}{2}$  ]

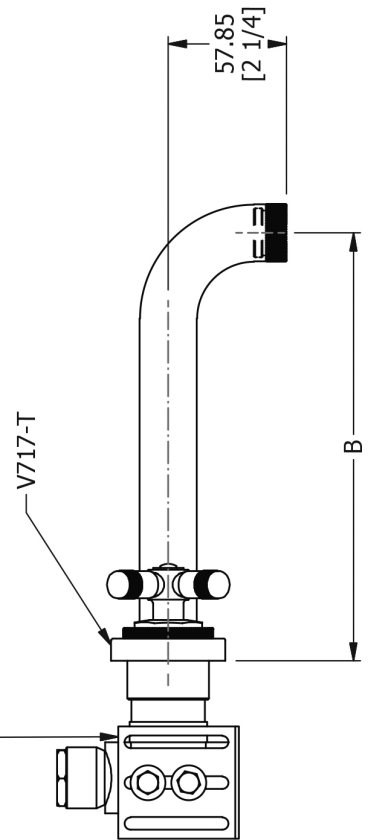
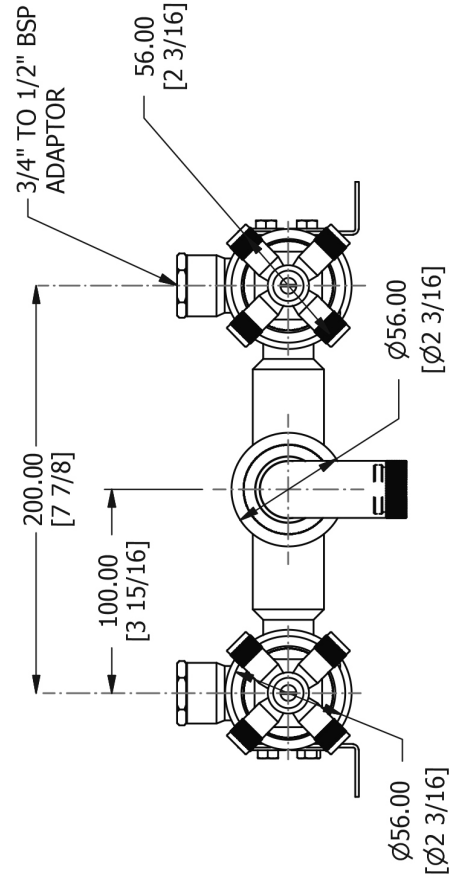
B = 180mm [ 7  $\frac{1}{16}$  ]

V7K17-3 : A = 285mm to 297mm [ 11  $\frac{1}{4}$  to 11  $\frac{11}{16}$  ]

B = 210mm [ 8  $\frac{3}{4}$  ]

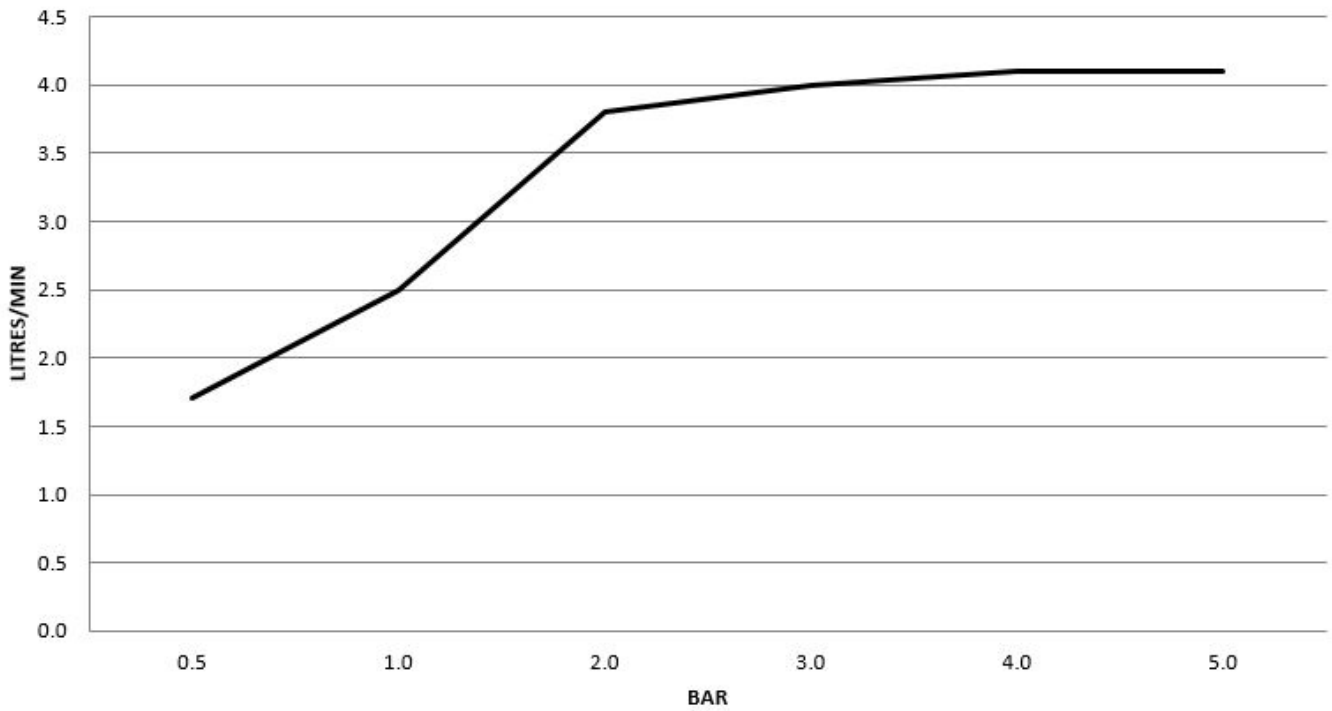


SEE INSTALLATION KIT DRAWING  
 UK & EUR - V718 - IS - XX  
 US - V718 - AIS - XX

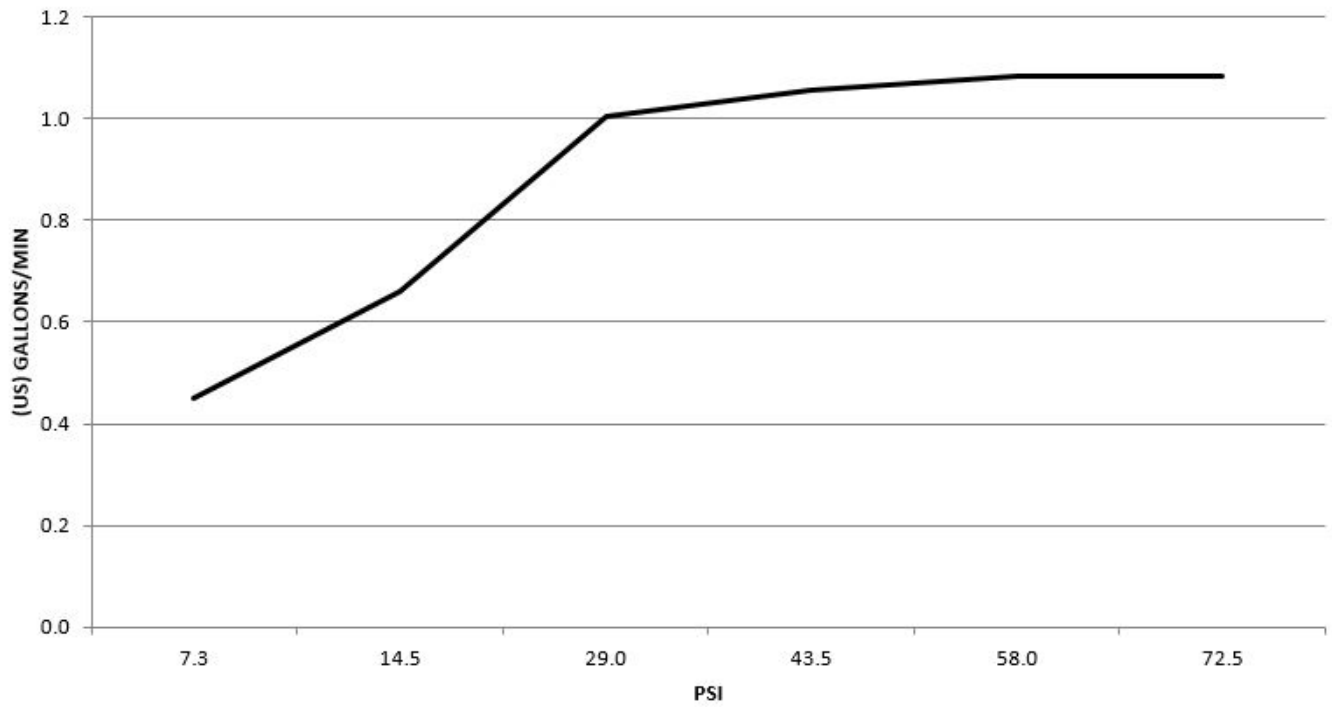


# Flow Rates

### V717 FLOW RATE LITRES/MIN

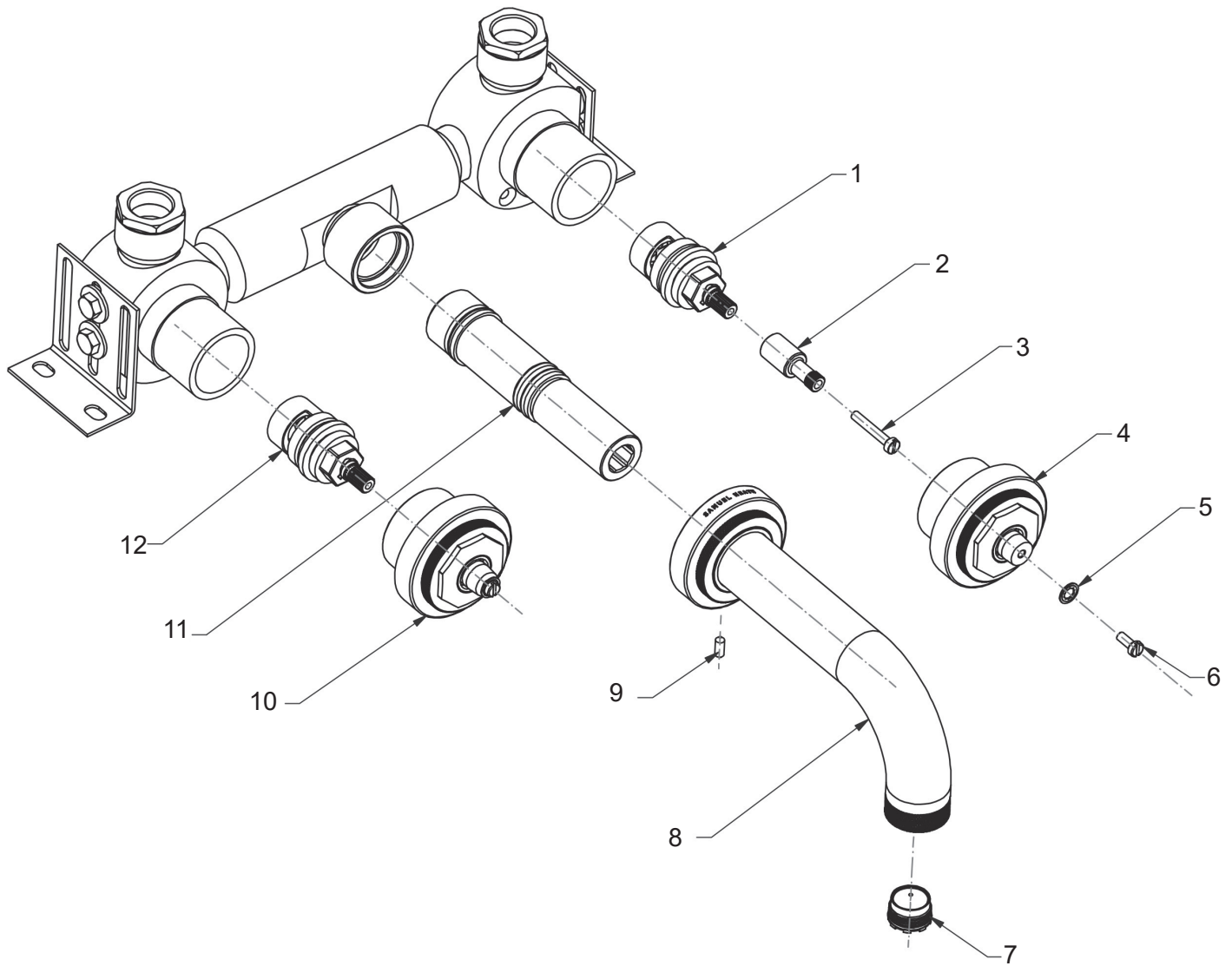


### V717 FLOW RATE (US) GALLONS/PSI



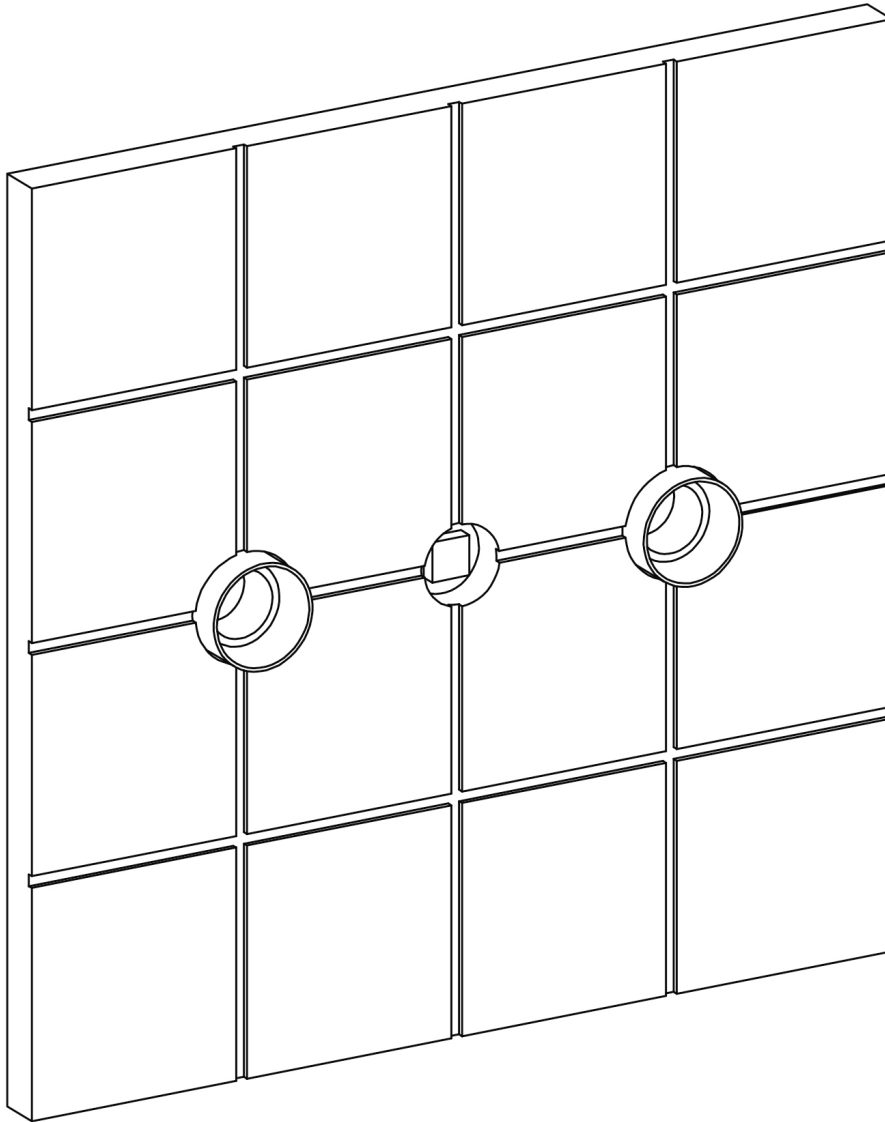
The flow rate data provided in this document is indicative of each product and is given in an open outlet condition. Installation design, external connections and fittings not supplied may affect the data provided.

## Spares Information



Item	Part No.	Description
1	V556043	CD Valve (Anti-Clockwise Closing)
2	-	Spindle Adapter
3	-	Long Screw
4	-	Side Valve Body
5	-	Washer
6	-	Short Screw
7	-	Aerator
8	-	Spout Assembly
9	-	Grub Screw
10	-	Side Valve Body
11	-	Spout Extension
12	VS56044	CD Valve (Clockwise Closing)

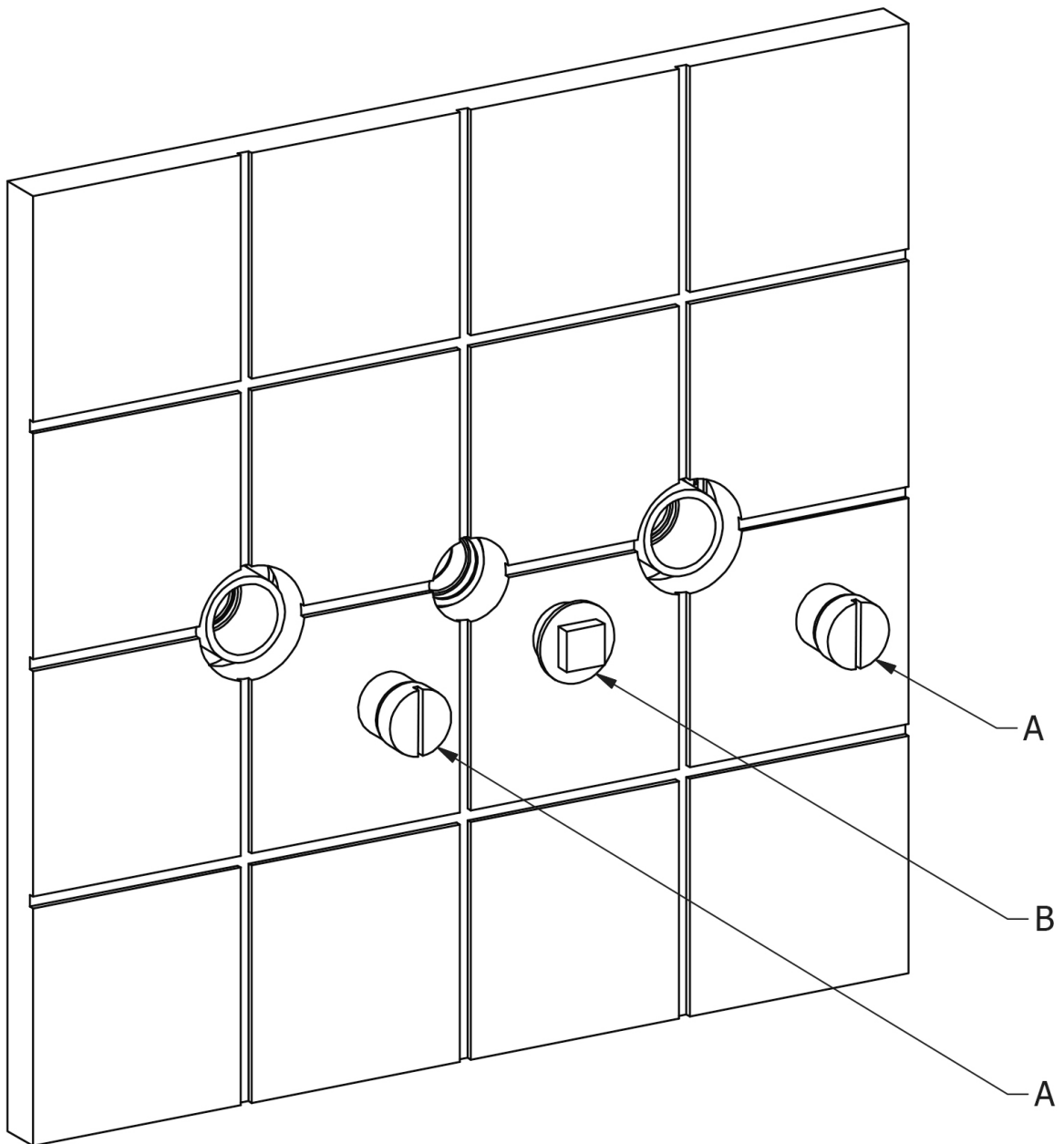
## Installation



1. Install the finished surface, ensuring the finished surface is in accordance with the minimum and maximum installation depths shown on the drawings in the front of this booklet.
2. Remove the red thread covers.

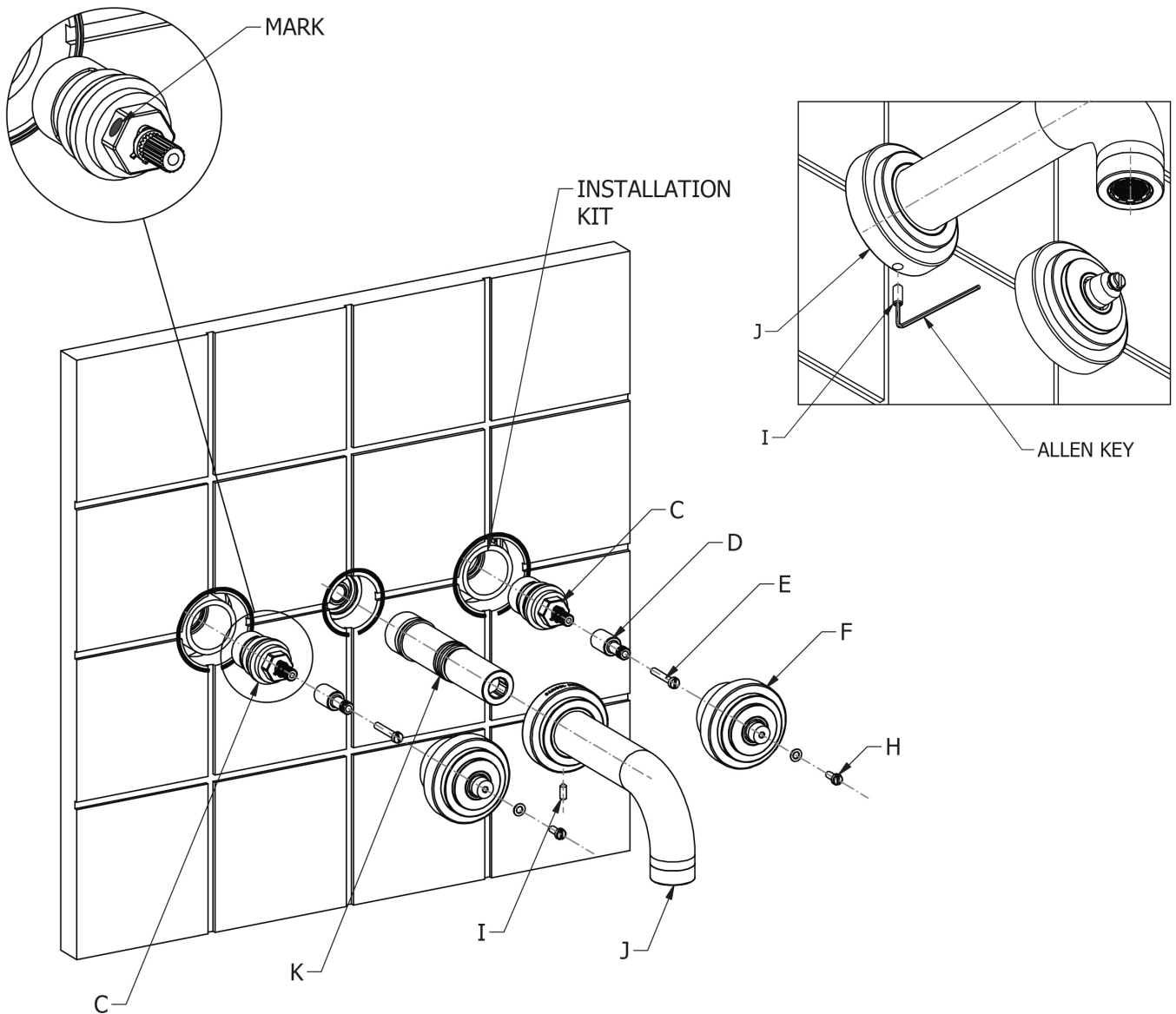


## Set-Up



3. Ensure the supply to the installation system is isolated.
4. Remove side valve bungs (A) and spout outlet cap (B).

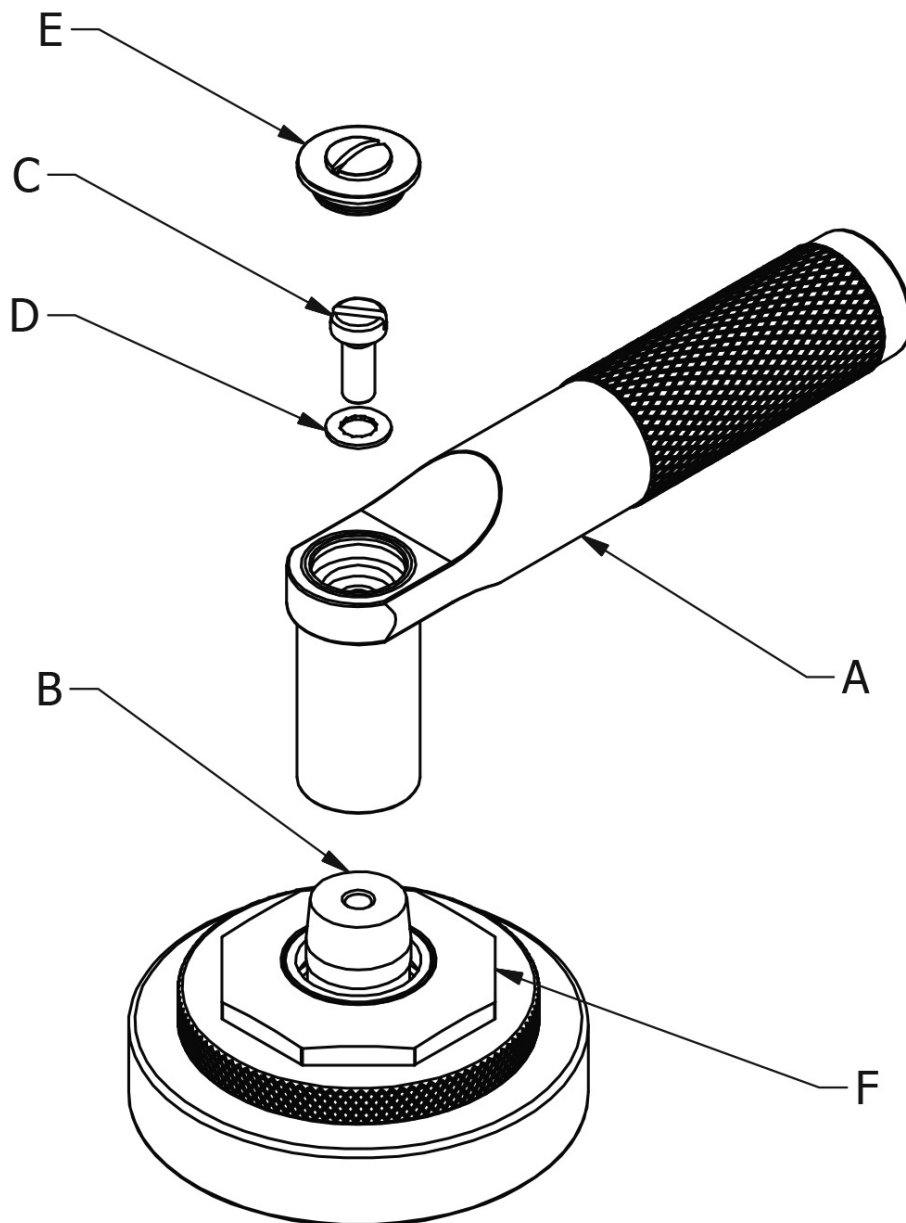
## Set-Up



5. Screw in CD valves (C) into the installation kit ensuring that the left hand CD valve has the mark as shown. Ensure CD valves are fully tightened.
6. Push spindle adapters (D), onto CD valves (C) and secure using long screws (E).
7. Screw the side valve assemblies (F) onto installation kit. Apply suitable silicon sealant to the wall where the side valve assembly (F) will sit.
8. Screw spout tail (K) into the installation kit. Ensure the spout tail (K) is fully tightened using a 12mm Allen Key.
9. Slide spout assembly (J) onto spout tail (K). Apply suitable silicon sealant to the wall where spout assembly escutcheon (J) will sit.
10. Align spout assembly (J) and secure using grub screw (I) and an Allen key as shown. Ensure grub screw (I) is fully tightened.

**Note:** Screws (H) and washers (G) are for securing desired handle option.

## Control Assembly Instructions



1. Screw handle (A) onto spindle (B) using screw (C) and washer (D).
2. Push indice (E) into the handle option (A) to conceal the fixing.
3. The octagonal nut (F) can be rotated to the desired angle.

**Note:** The taper on the spindle (B) will lock in to the female taper in the handle option (A).

To remove the handle option (A) remove the screw (C) and washer (D). The handle option (A) has an M5 thread through its central fixing hole, by screwing an M5 screw in to this it will push the handle option (A) and the spindle (B) apart.

## IMPORTANT NOTES

1. Installation should be carried out by a competent engineer, in accordance with water regulations.
2. Before installation, ensure supply pipes are flushed clean. Debris or loose particles will affect the efficiency of the ceramic disc cartridge.
3. For mixer taps, it is recommended that hot & cold pressures are equally balanced.
4. To help maintain the high quality finish, please clean with a soft damp cloth. Do not use abrasive polish or cleaners. Stains may be removed using undiluted washing up liquid.
5. Ceramic cartridges in hard water areas. To prolong the lifespan and reduce servicing periods of your Samuel Heath tap we recommend that a suitable water softener be fitted. Consult your installer/designer for details.
6. Please note that as with all tap and shower ware it will be necessary from time to time for the products to be serviced, this should be carried out by a qualified Plumbing Engineer.

## NOTES IMPORTANTES

1. L'installation doit être faite par un ingénieur qualifié, selon les règlements du Service Eau.
2. Avant l'installation, il faut s'assurer que les tuyaux d'approvisionnement sont complètement purgés. Les déchets flottants auront un effet détrimentaire sur l'efficacité de la cartouche céramique.
3. Il est recommandé que les pressions de l'eau chaude et eau froide des mitigeurs et mélangeurs soient maintenues à un niveau égal.
4. Pour conserver la finition de haute qualité, nettoyer avec un chiffon doux et humide. N'employer jamais de la cire et des produits abrasifs. Les tâches peuvent être enlevées à l'aide de liquide vaisselle pur.
5. Cartouches en céramique dans les régions à eau calcaire. Pour prolonger la durée et réduire l'entretien de votre robinetterie Samuel Heath, nous recommandons d'utiliser un adoucisseur d'eau convenable. Veuillez consulter votre installateur/fournisseur pour plus de renseignements.
6. Veuillez noter qu'un entretien sera nécessaire de temps en temps et doit être effectué par un installateur qualifié.

## WICHTIGE HINWEISE

1. Installation sollte durch einen kompetenten Fachmann und nach den üblichen Vorschriften ausgeführt werden.
2. Vor Installation Wasserleitung gründlich durchspülen. Verschmutzung wird die Funktion der Kartusche erheblich einschränken.
3. Für Mischbatterien ist es wichtig, daß Wasser mit gleichem Druck eingeführt wird.
4. Um den optimalen Zustand dieses Produktes zu erhalten, wischen Sie es bitte nur mit einem feuchten, weichen Lappen ab. Auf keinen Fall Scheuermittel verwenden. Flecken lassen sich mit unverdünntem Geschirrspülmittel entfernen.
5. Keramikkartuschen in Hartwasserbereichen. Um die Lebensdauer zu verlängern und Wartungszeiten zu reduzieren empfiehlt Samuel Heath den Einsatz eines geeigneten Wasserenthärter. Fragen Sie Ihren Installateur/Designer um Rat.
6. Bitte merken Sie, dass alle Armaturen ab und zu eine Wartung brauchen. Diese soll durch einen kompetenten Installateur ausgeführt werden.

## ATENCION

1. La instalación se debe realizar por un fontanero.
2. Antes de la instalación, deben pulgar las tuberías dejando correr el agua por las tuberías para que arrastren los residuos de montaje/obra, con el motivo de que no afecte la eficacia del cartucho de cerámica.
3. Para grupo baño/ducha se recomienda que las presiones del agua caliente y frío sean equilibradas.
4. Para ayudar a mantener el acabado de este producto, limpiar con un paño húmedo suave. No se debe emplear productos abrasivos de baño. Las manchas se pueden quitar empleando líquido lava-vajillas puro.
5. Cartuchos cerámicos en áreas de aguas duras. Para prolongar su vida útil y reducir los periodos de reparación de su grifo SamuelHeath recomendamos la instalación de un descalcificador de agua. Consulte a su instalador para más detalles.
6. Igual que con todo tipo de grifería y duchas, de vez en cuando será necesario llevar a cabo una revisión al producto; esto debería ser realizado por un fontanero calificado.

## ATTENZIONE

1. L'impianto deve essere montato da personale tecnico in conformità alle vigenti leggi.
2. Prima dell'installazione assicurarsi che le tubature dell'acqua siano pulite. Detriti o residui di lavorazione compromettono l'efficienza del cartuccio.
3. Per i gruppi, si raccomanda che le pressioni acqua calda e acqua fredda siano ugualmente bilanciate.
4. Per mantenere la finizione di ottima qualità, pulire con un panno soffice e inumidito.  
Non usare creme lucidanti e materiali abrasivi. Le macchie potranno essere tolte usando del detersivo per piatti puro.
5. Come con tutti i tipi di rubinetti e docce, di volta in volta è necessario effettuare una revisione al prodotto; questo dovrebbe essere fatto da un idraulico qualificato.

## SAMUEL HEATH

### Head Office and Customer Service

Leopold Street  
Birmingham  
England  
B12 0UJ

T: +44 (0)121 766 4200  
F: +44 (0)121 772 3334

Info@samuel-heath.com  
www.samuel-heath.co.uk

### US Customer Service

usa@samuel-heath.com  
Federal I.D. No. 58-1504682  
www.samuel-heath.com

8-40473  
Issue: C